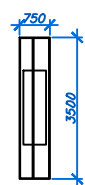
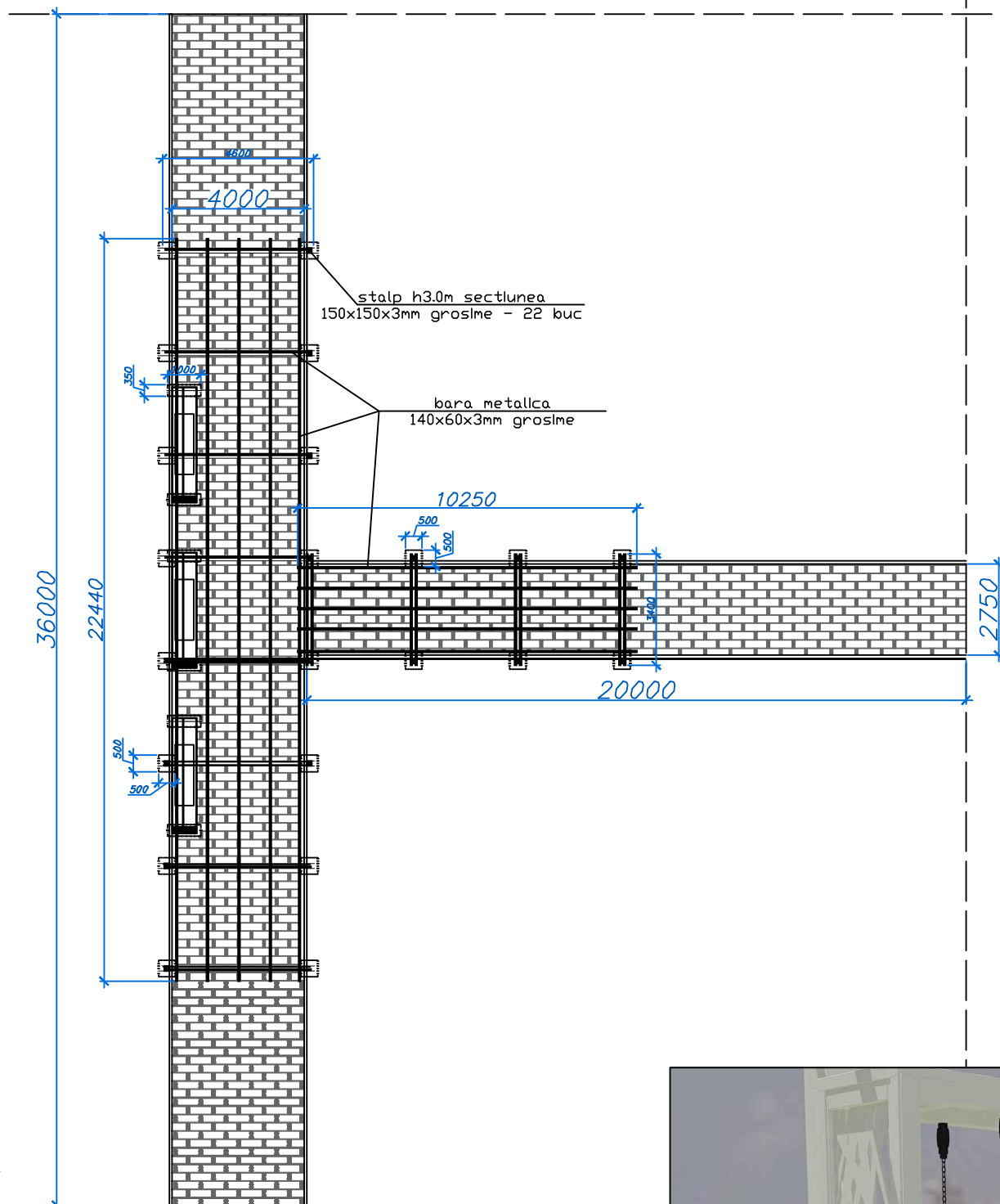


PLAN AMENAJARE



Leagan (3.5x0.75xH2.8)
material: metal si lemn - 3 buc



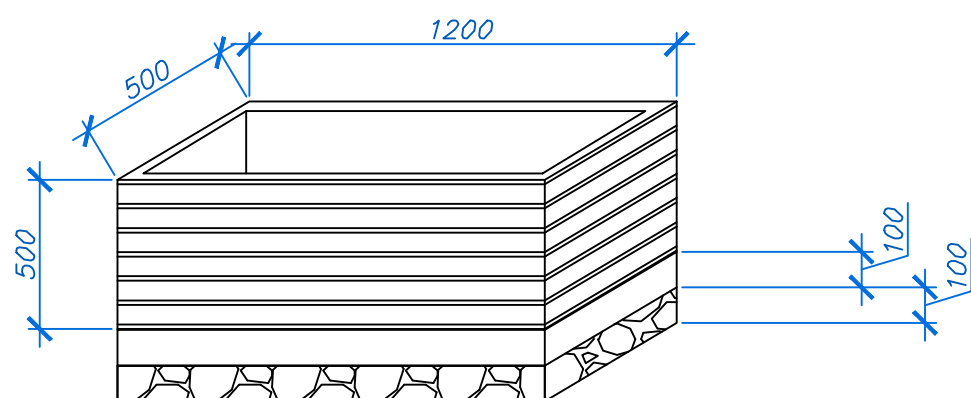
SPECIFICATII LUCRARI SI MATERIALE

Constructie metalica

	Materiale	Cantitate
10	Stalp h3.0m, 150x150x3mm	902.22 kg
11	Placuta 150x250x10mm	69.3 kg
12	Bara metalica 140x60x3mm(264.25ml)	2367.68 kg



13	Vazon 1200x500xh500	12 buc
14	Leagan (3.5x0.75xH2.8)	3 buc
15	Plasa VR 100x100x5	24 kg
16	Beton C16/20	3.12 m3
17	Armatura $\phi 6$	16.1 kg
18	Armatura $\phi 14$	23.3 kg



Vazon din lemn
(1200x500xh500)

Plasa VR 100x100x5 - 24 kg
Beton C16/20 - 100mm
Pietris compactat - 100mm

VIZUALIZARI



VIZUALIZARI



VIZUALIZARI

