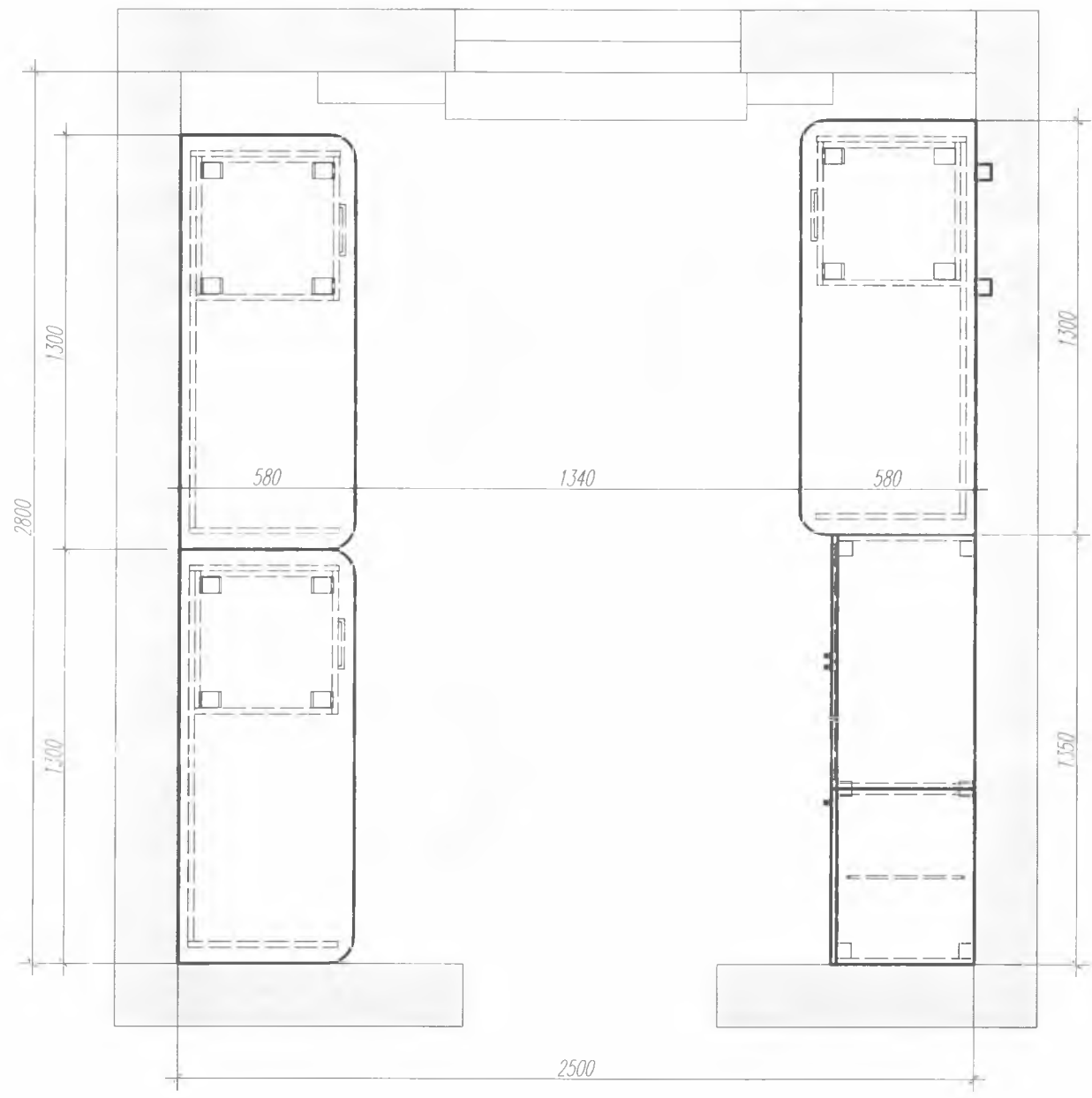
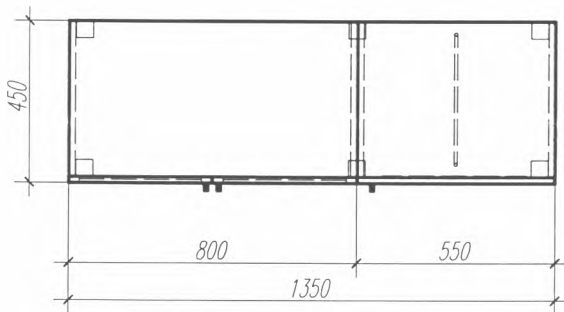
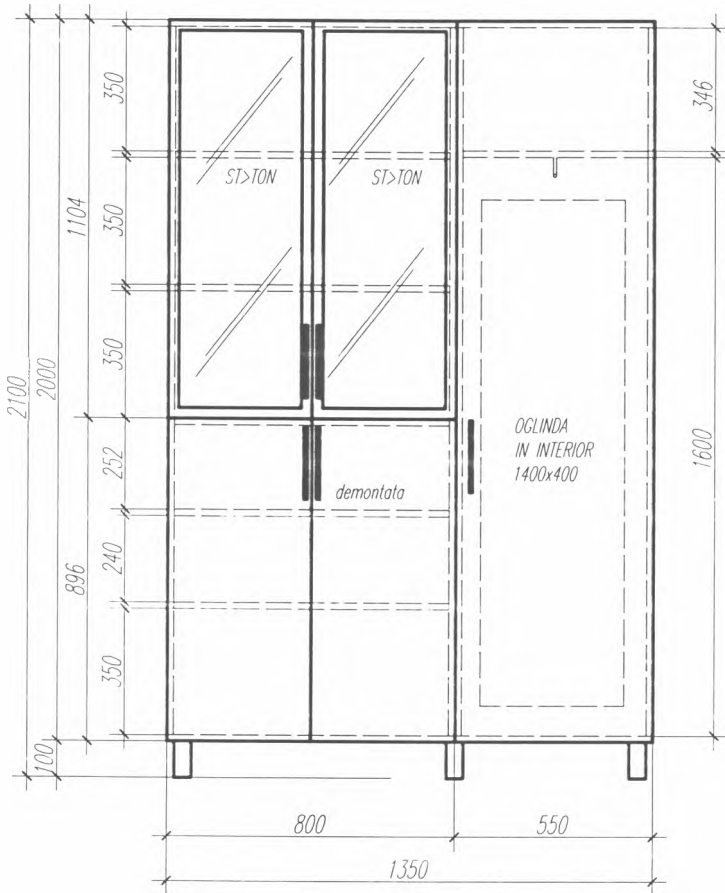


Client: USMF MEDICINA LEGALA
PLAN BIROU REZIDENTI

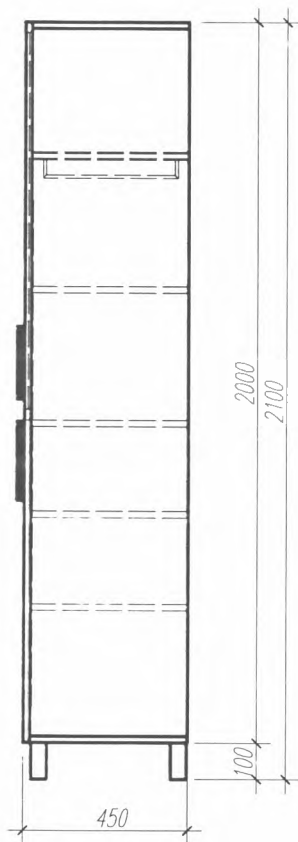
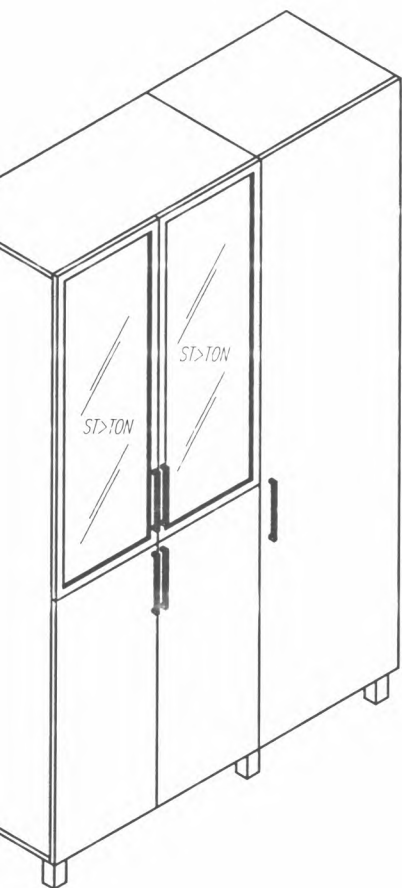


Client: USMF



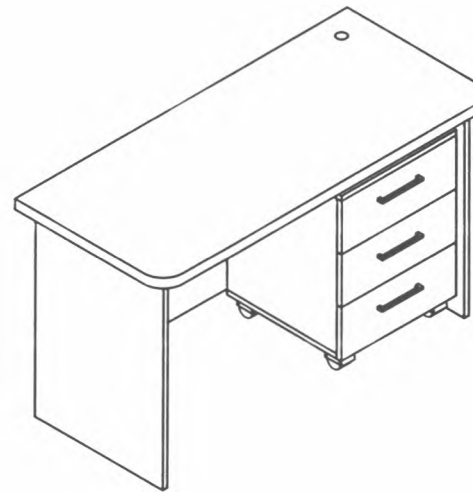
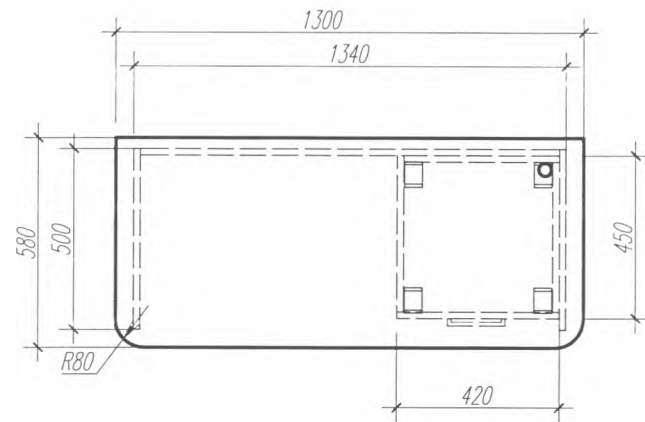
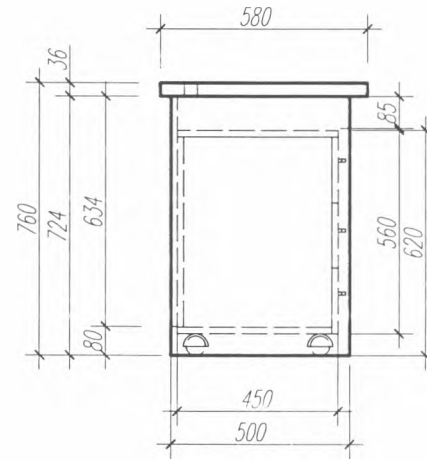
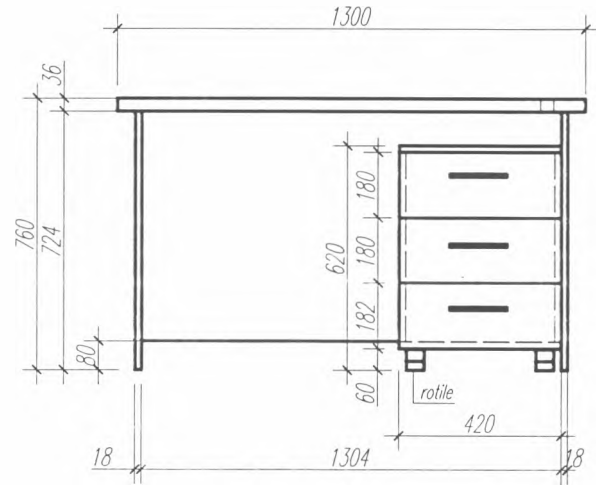
MEDICINA LEGALA bir. REZIDENTI

Dulap haine-mape



1 buc.

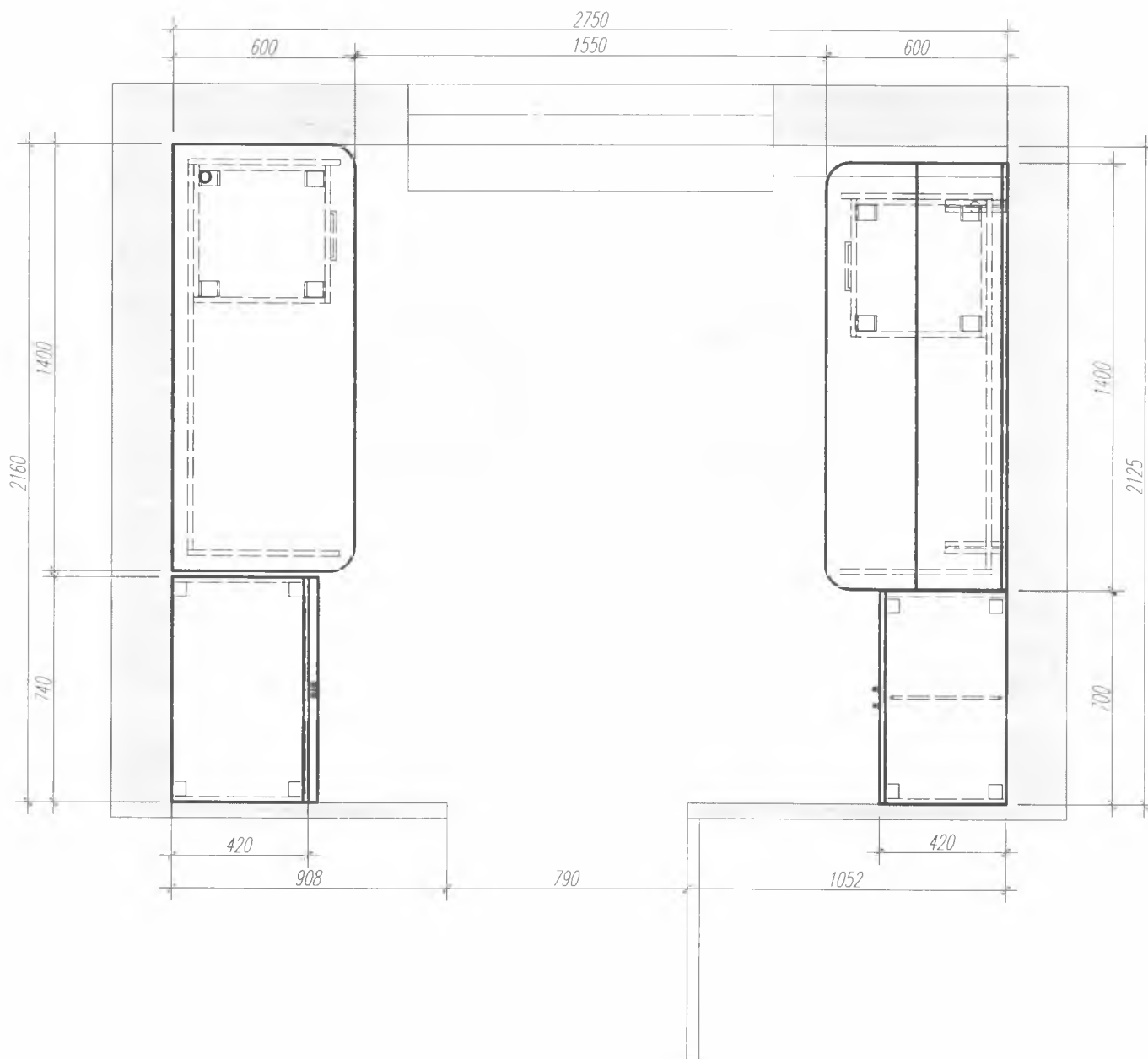
Client: USMF MEDICINA LEGALA bir. REZIDENTI
Masa de birou



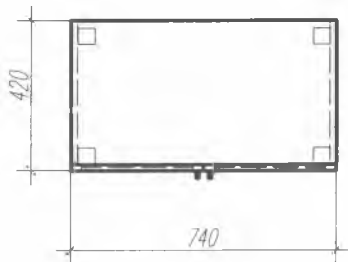
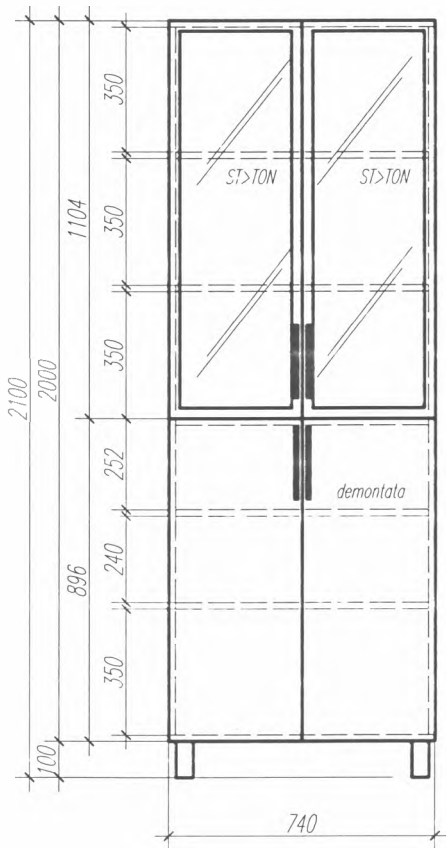
3 buc.

Client: USMF MEDICINA LEGALA bir. LABORANTI

PLAN-MOBILIER

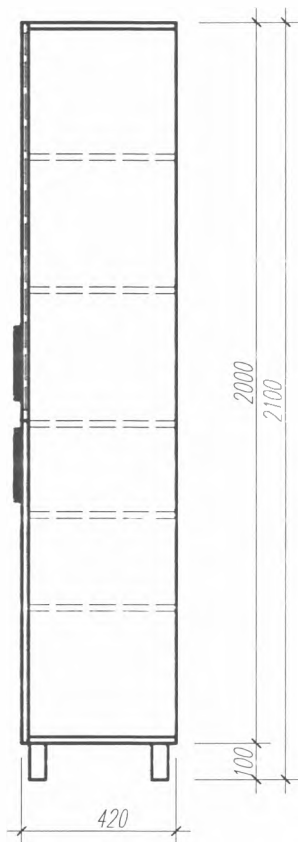
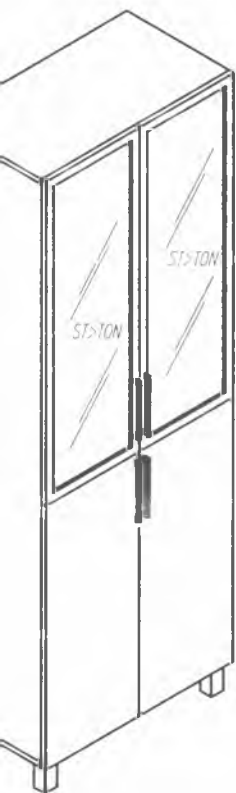


Client: USMF



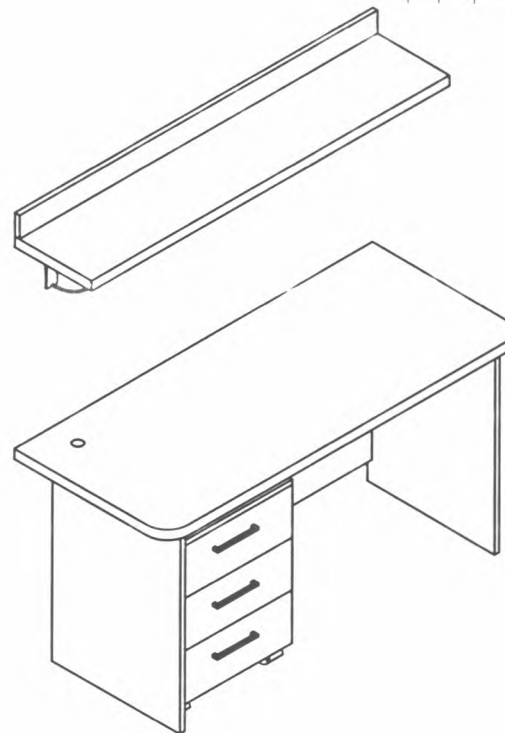
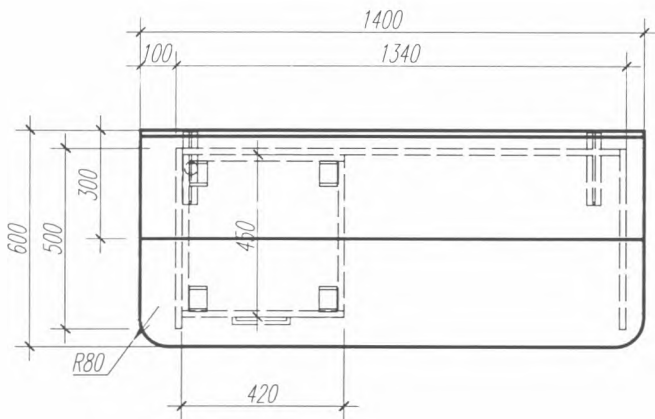
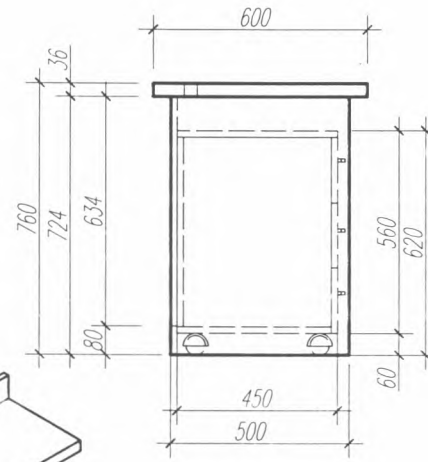
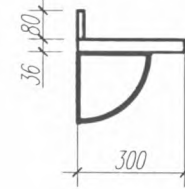
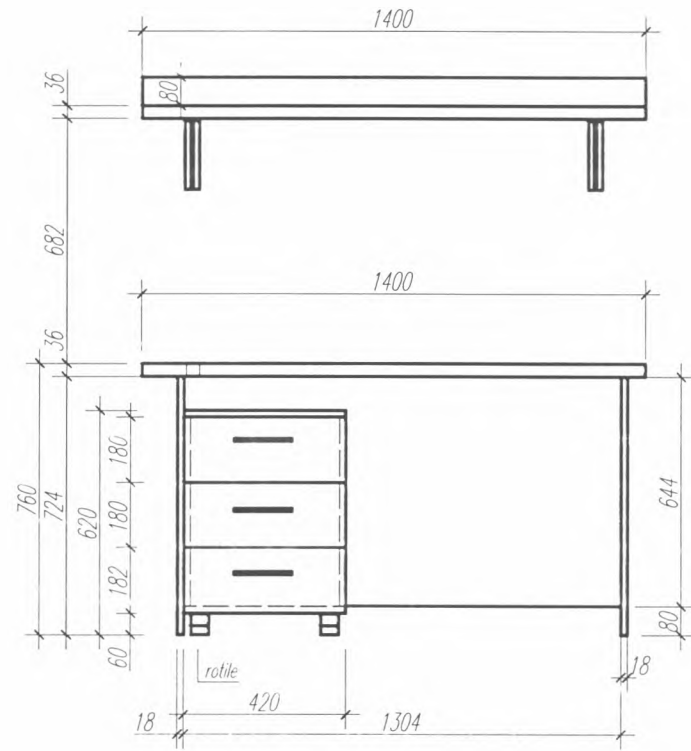
MEDICINA LEGALA bir. LABORANTI

Dulap -mape



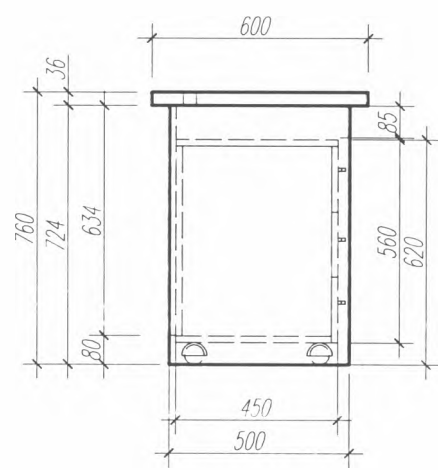
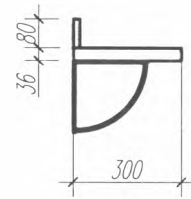
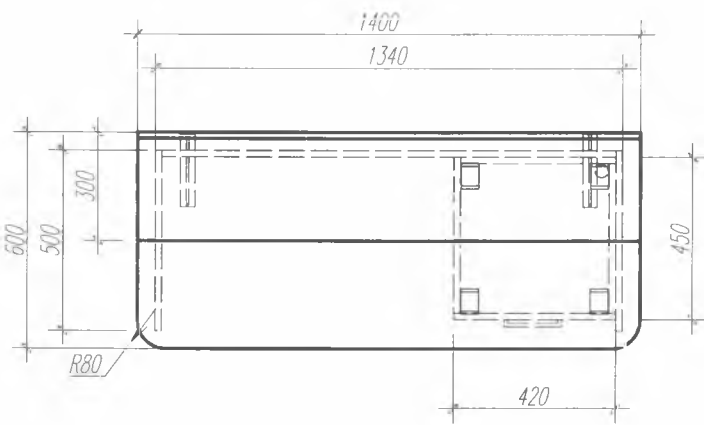
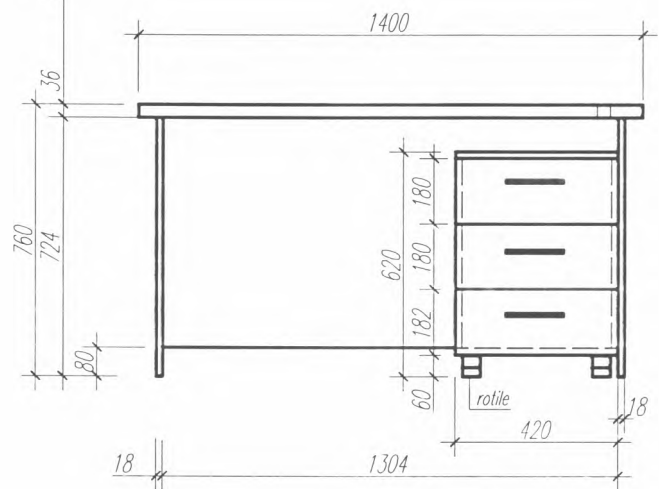
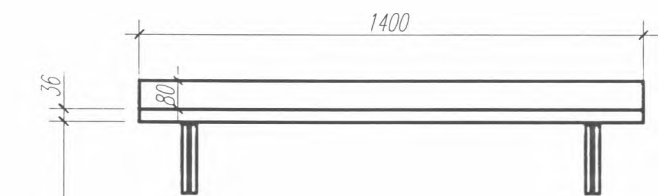
1 buc.

Client: USMF MEDICINA LEGALA bir. LABORANTI
Masa de birou



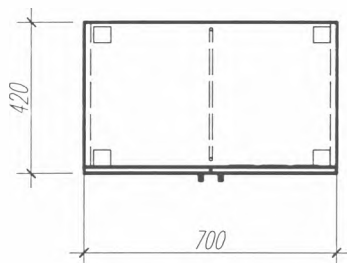
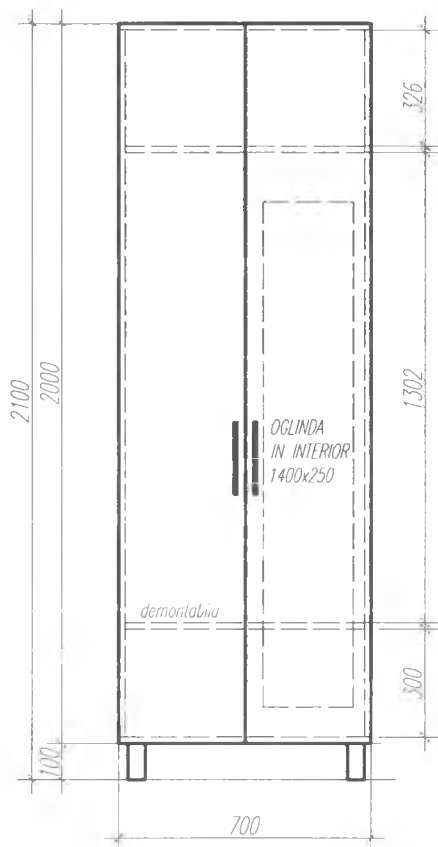
1 buc.

Client: USMF MEDICINA LEGALA bir. LABORANTI
Masa de birou



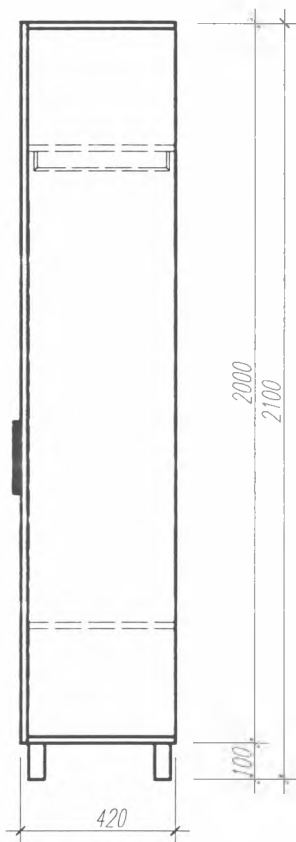
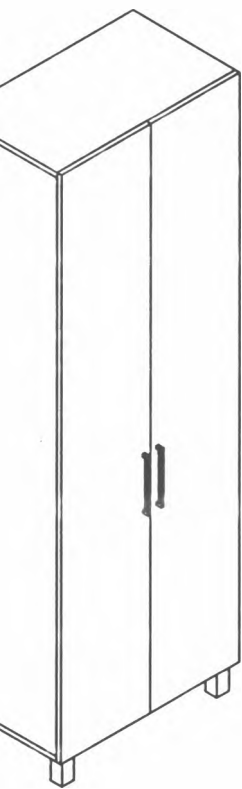
1 buc.

Client: USMF



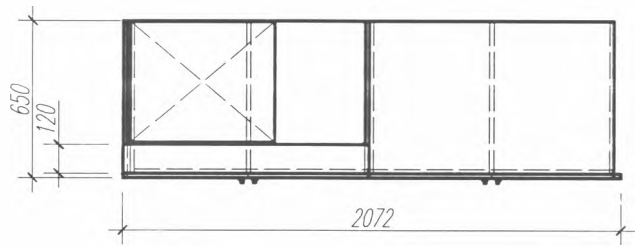
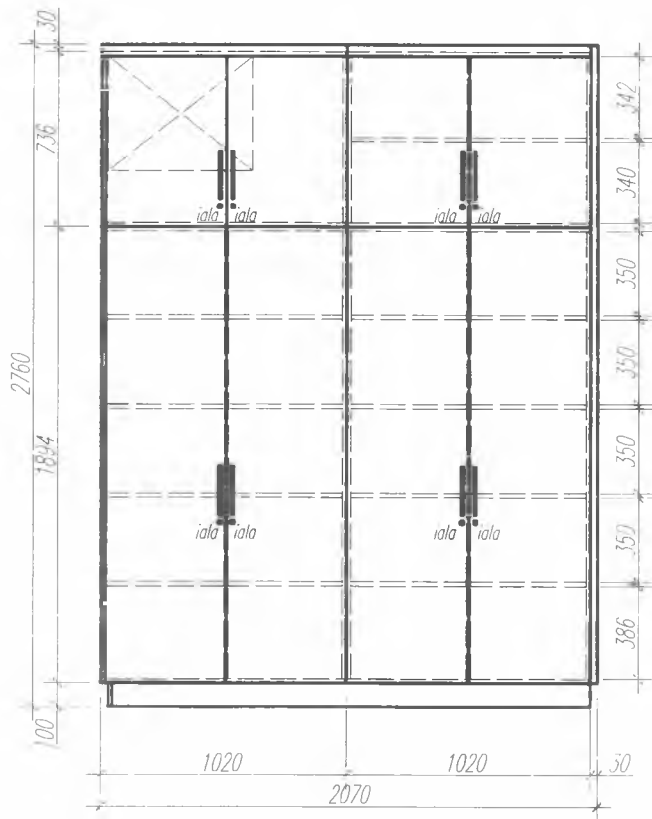
MEDICINA LEGALA bir. LABORANTI

Dulap haine



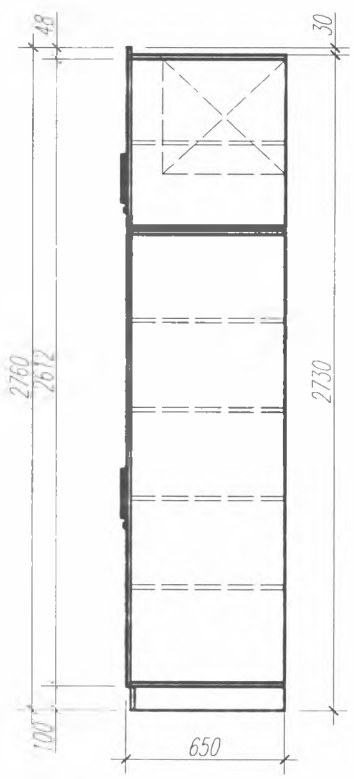
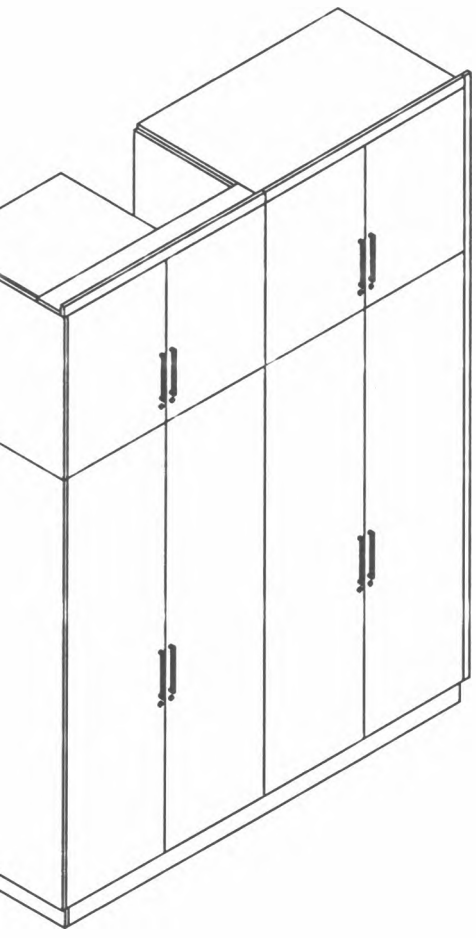
1 buc.

Client: USMF



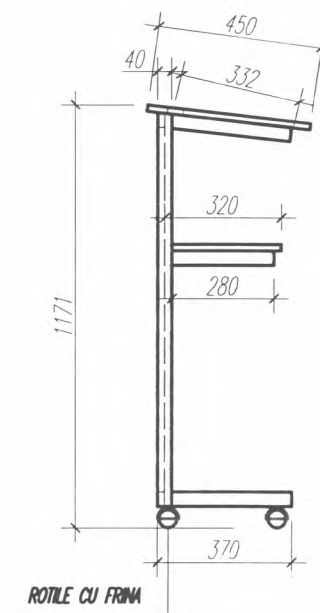
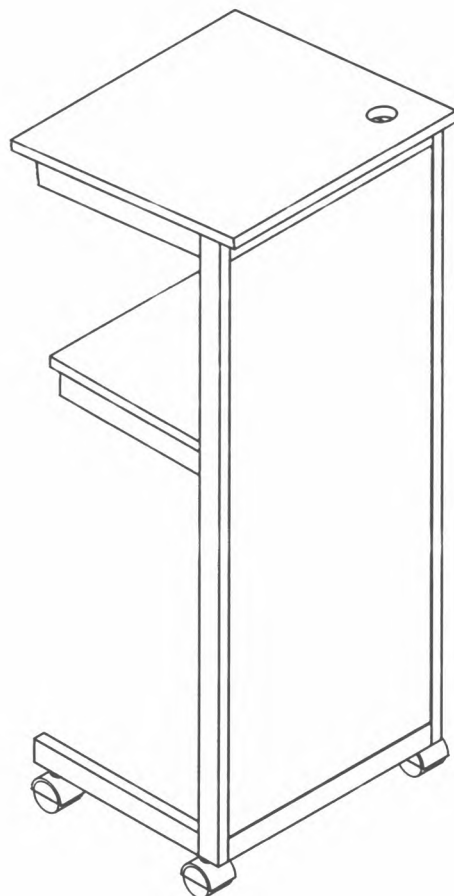
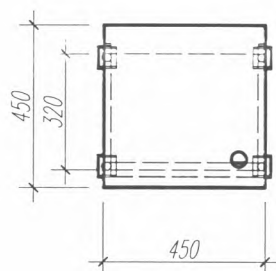
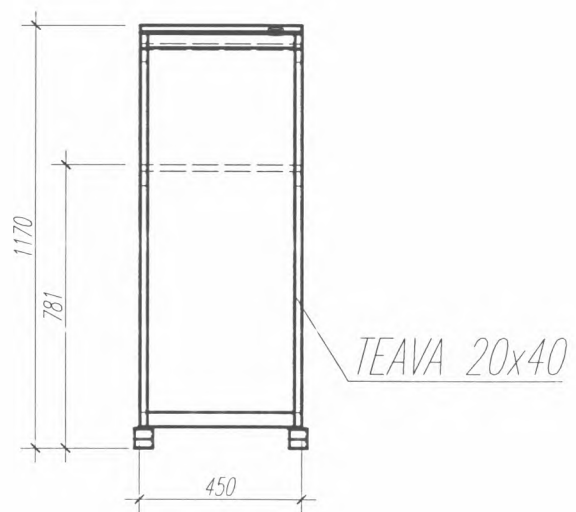
MEDICINA LEGALA

Dulap arhiva



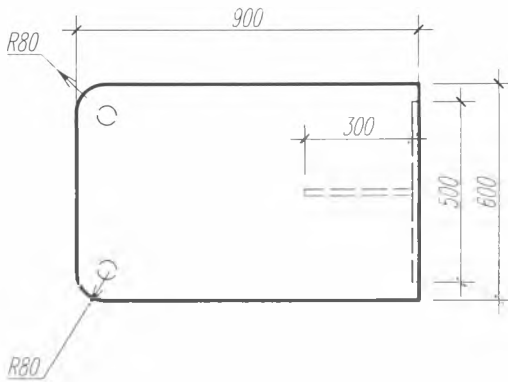
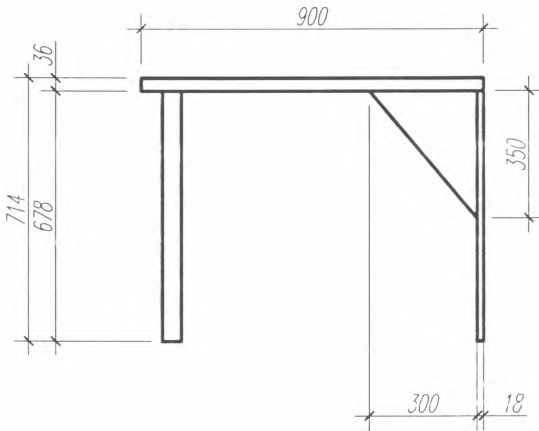
Client: USMF MEDICINA LEGALA

TRIBUNA



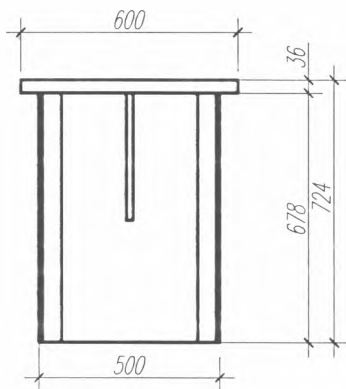
3 buc.

Client: USMF



MEDICINA LEGALA bir. D.TOPORET N.

Masa- anexa



1 buc.

