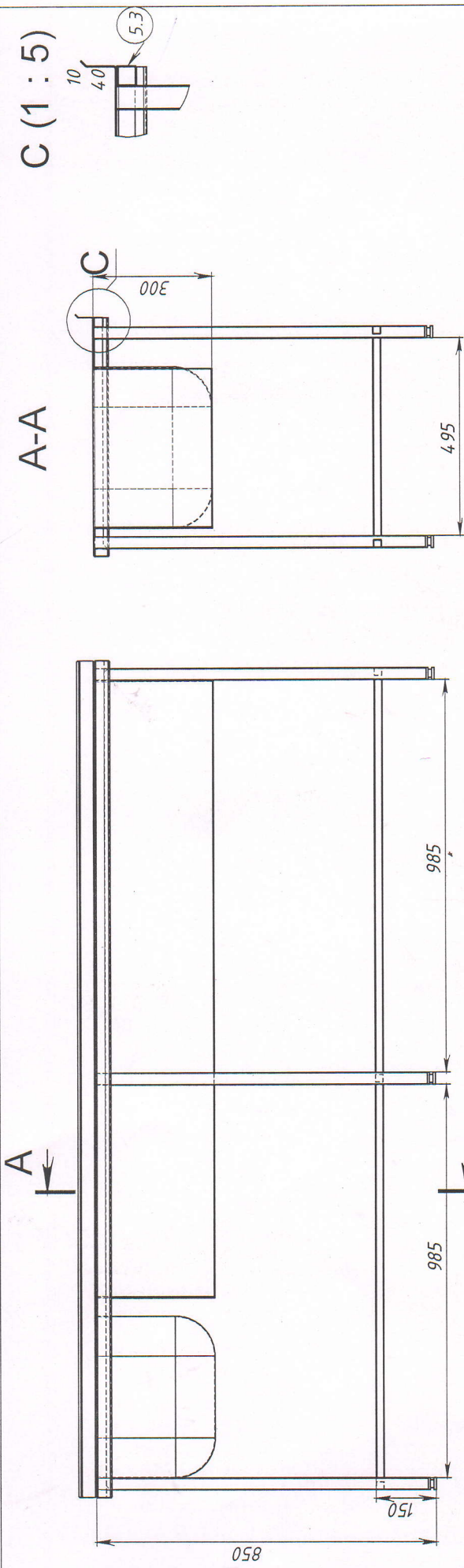


ITEM NO.	PART NUMBER	DESCRIPTION	ДЛИНА	ДТУ.
1	Blat 2300x600	S15		1
2	1750x400x300	S15		2
3	1750x400	S15		1
4	Cuva ambufisata 400x400x300			1
5	Carcas 2300x600x850			1
5.1		Teava profilata 30 X 30 X 1,2	830	6
5.2		Teava profilata 20 X 20 X 1,2	495	3
5.3		Teava profilata 25 X 25 X 1,2	2297	1
5.4		Teava profilata 20 X 20 X 1,2	1085	4
6	picior	Reglabil		6

Masa 2300x600x850 cu 2 cuve 400x400x300 si 1750x400x300

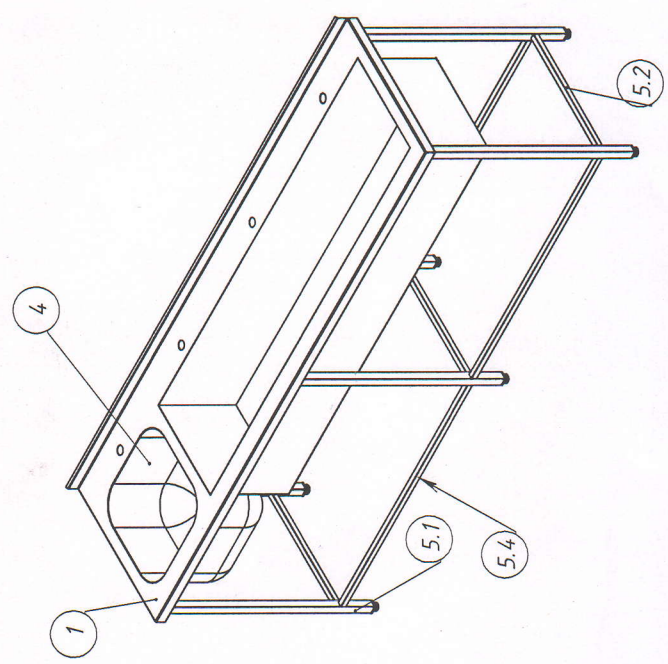
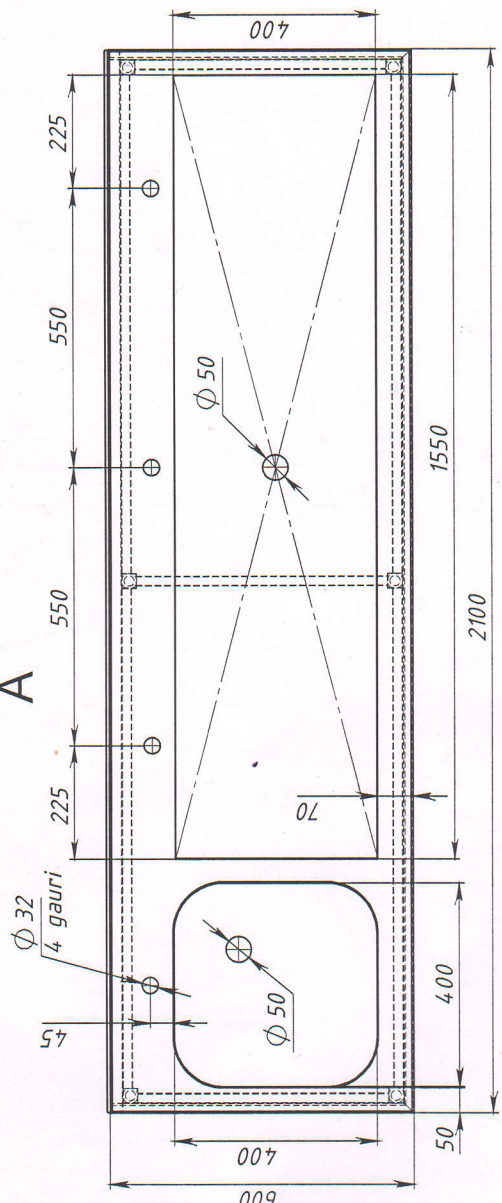
№ 612



C (1 : 5)

A-A

A



ITEM NO.	PART NUMBER	DESCRIPTION	ДИМНА	QTY.
1	Blat 2100x600	S1.5		1
2	1550x4.00x300	S1.5		2
3	1550x4.00	S1.5		1
4	Cuva ambulisata 400x400x300			1
5	Carcas 2100x600x850			1
5.1		Teava profilata 30 X 30 X 1,2	830	6
5.2		Teava profilata 20 X 20 X 1,2	495	3
5.3		Teava profilata 25 X 25 X 1,2	2097	1
5.4		Teava profilata 20 X 20 X 1,2	985	4
6	picior	Reglabil		6

Masa 2100x600x850 cu 2 cuve 400x400x300 si 1750x400x300

№ 642

MCF Scaun din lemn
de masaj
si masaj
si masaj

Client: _____
Adresa: _____
Telefon: _____