

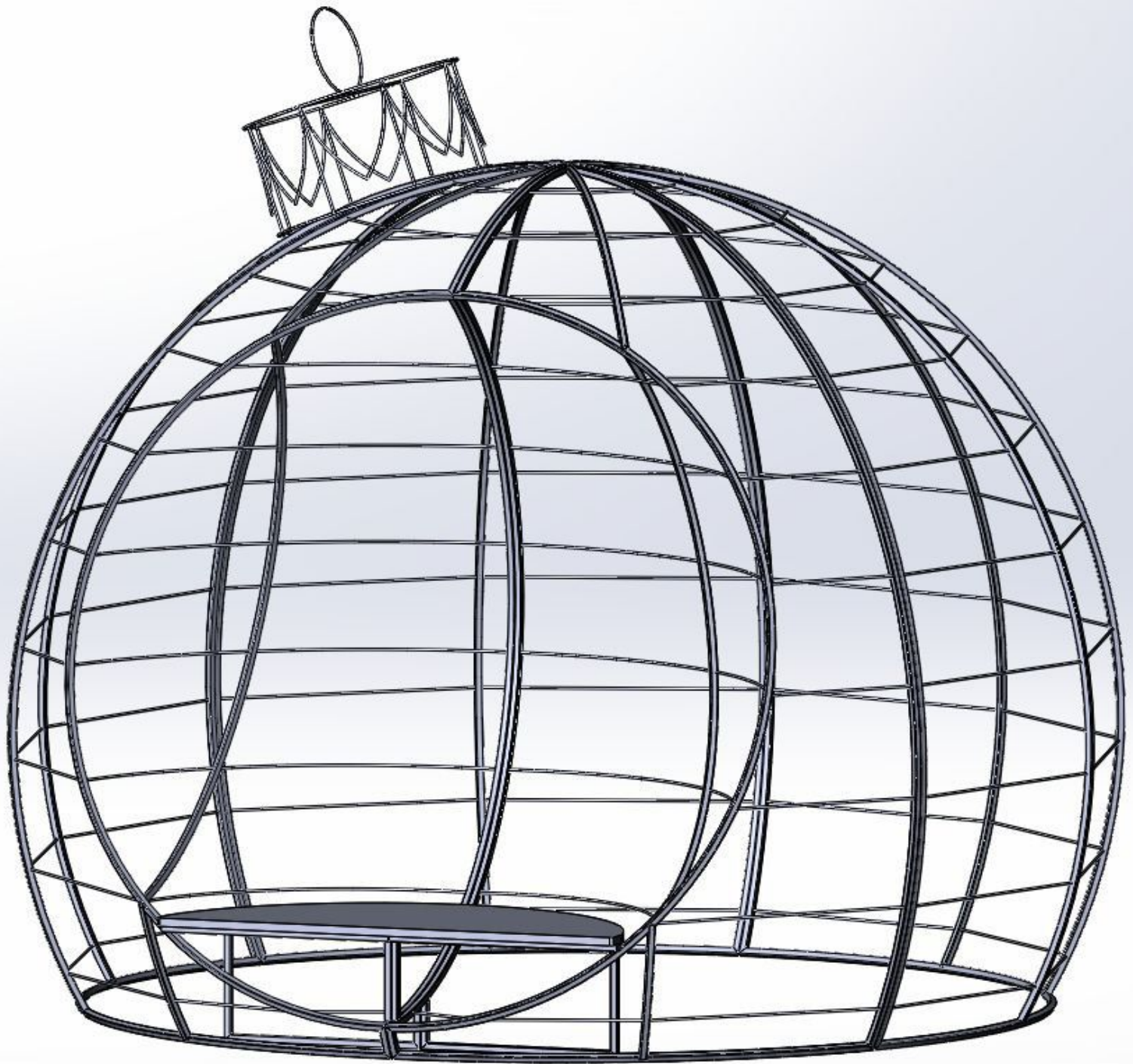
Glob scaun

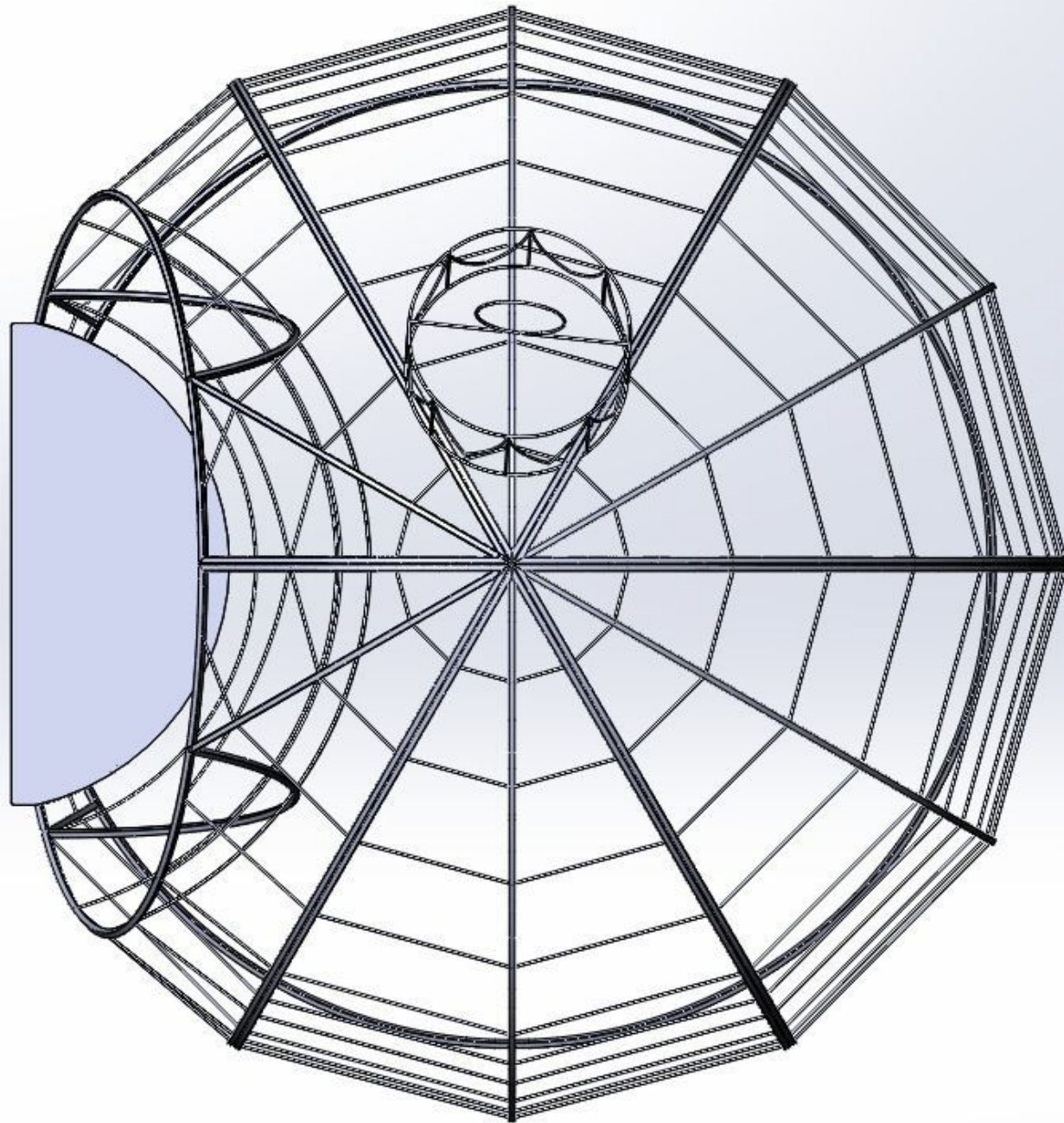
H= 3 metri

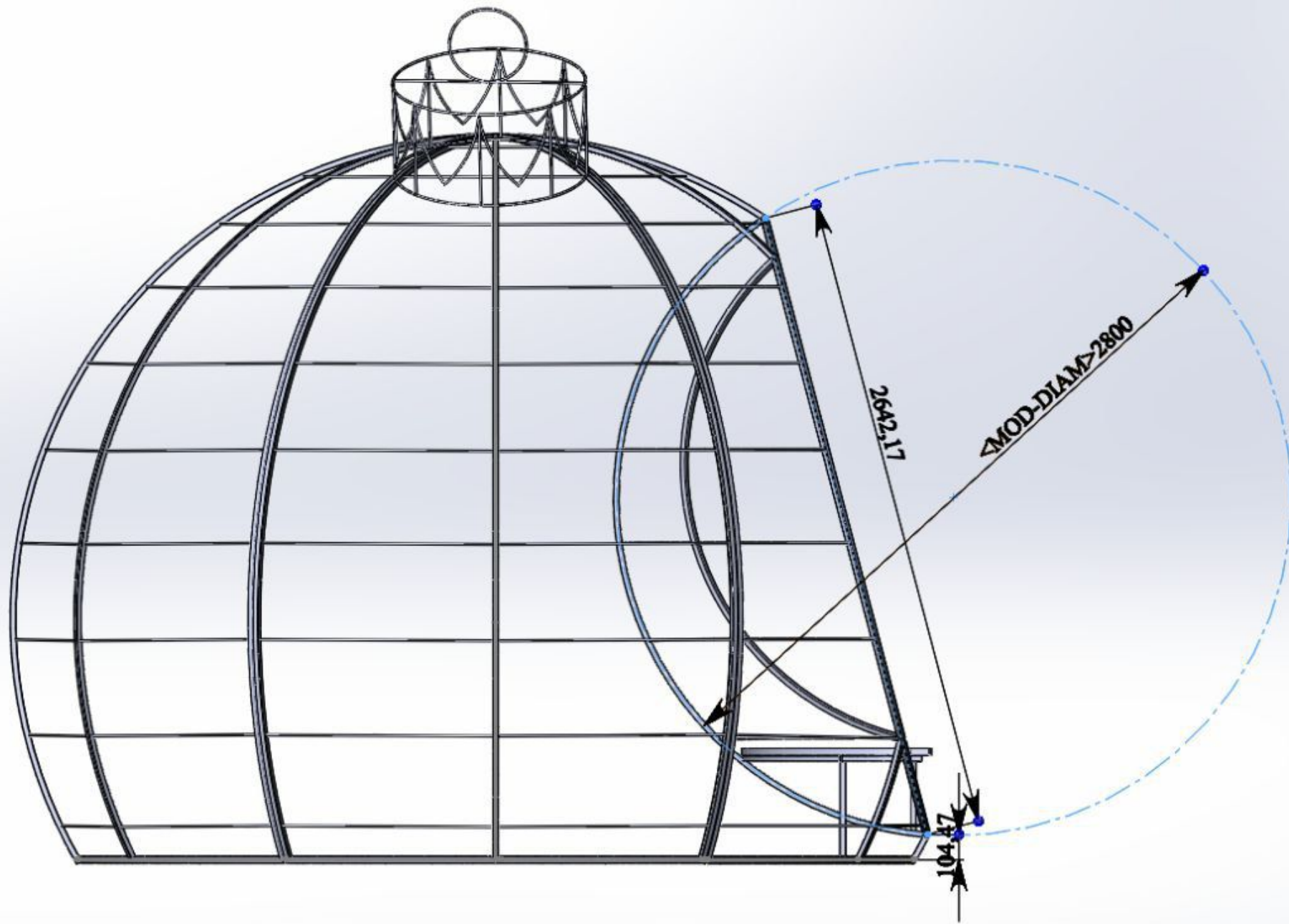
Profil metalic. $25*25*1.5= 90$ metri

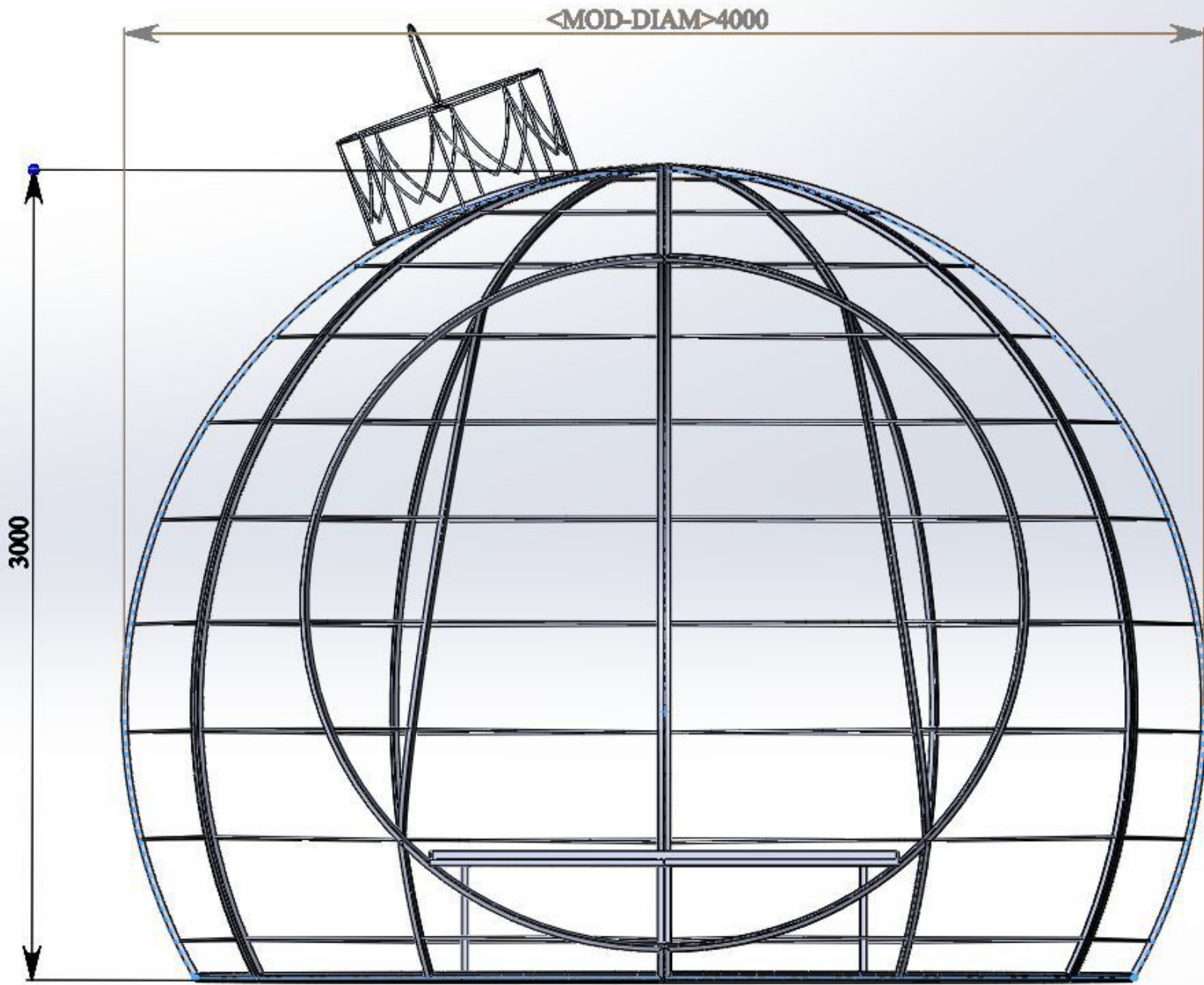
Profil metalic $15*15*1.5=150$ metri

Fisie metalica $12*5=6$ metri



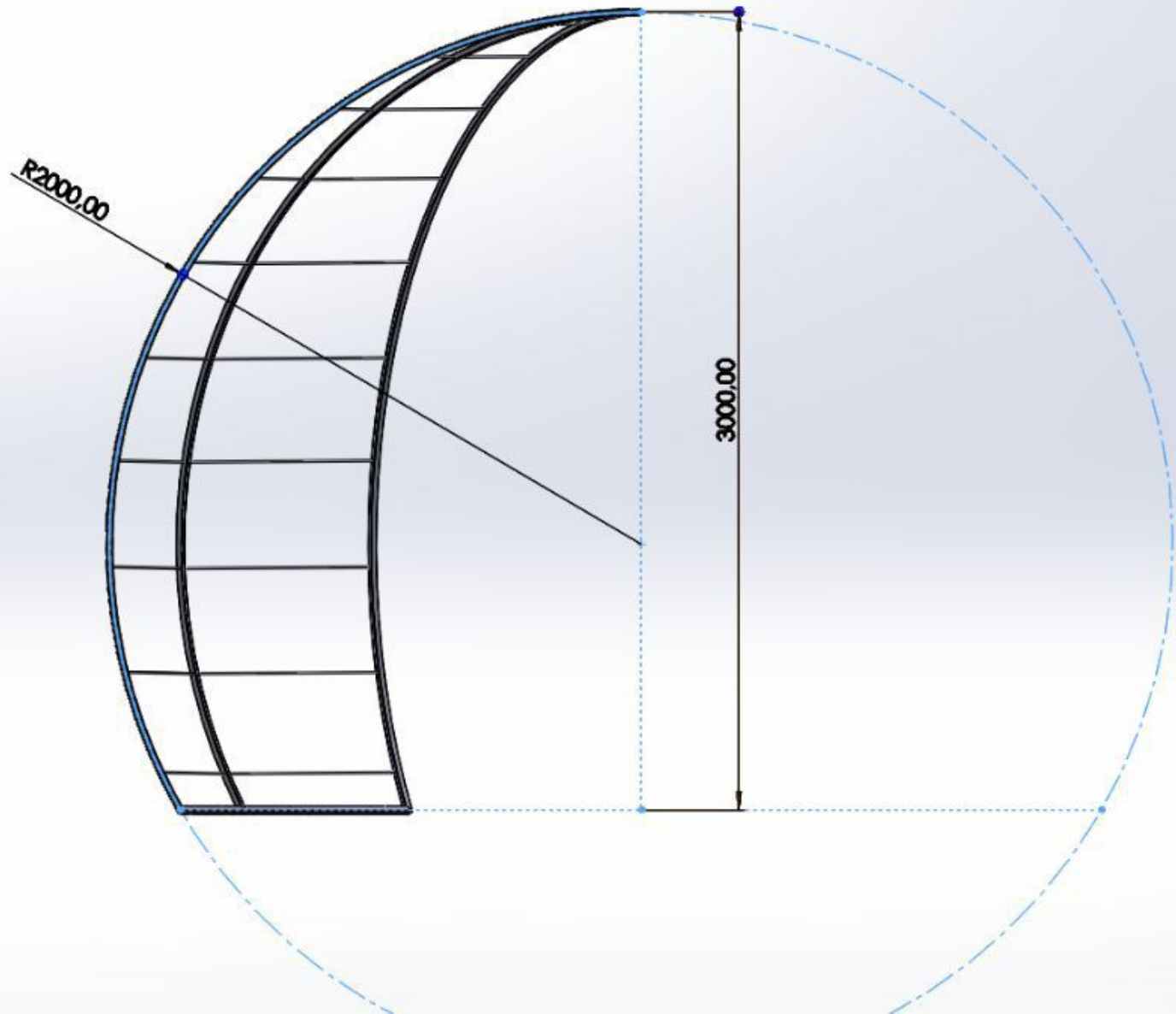


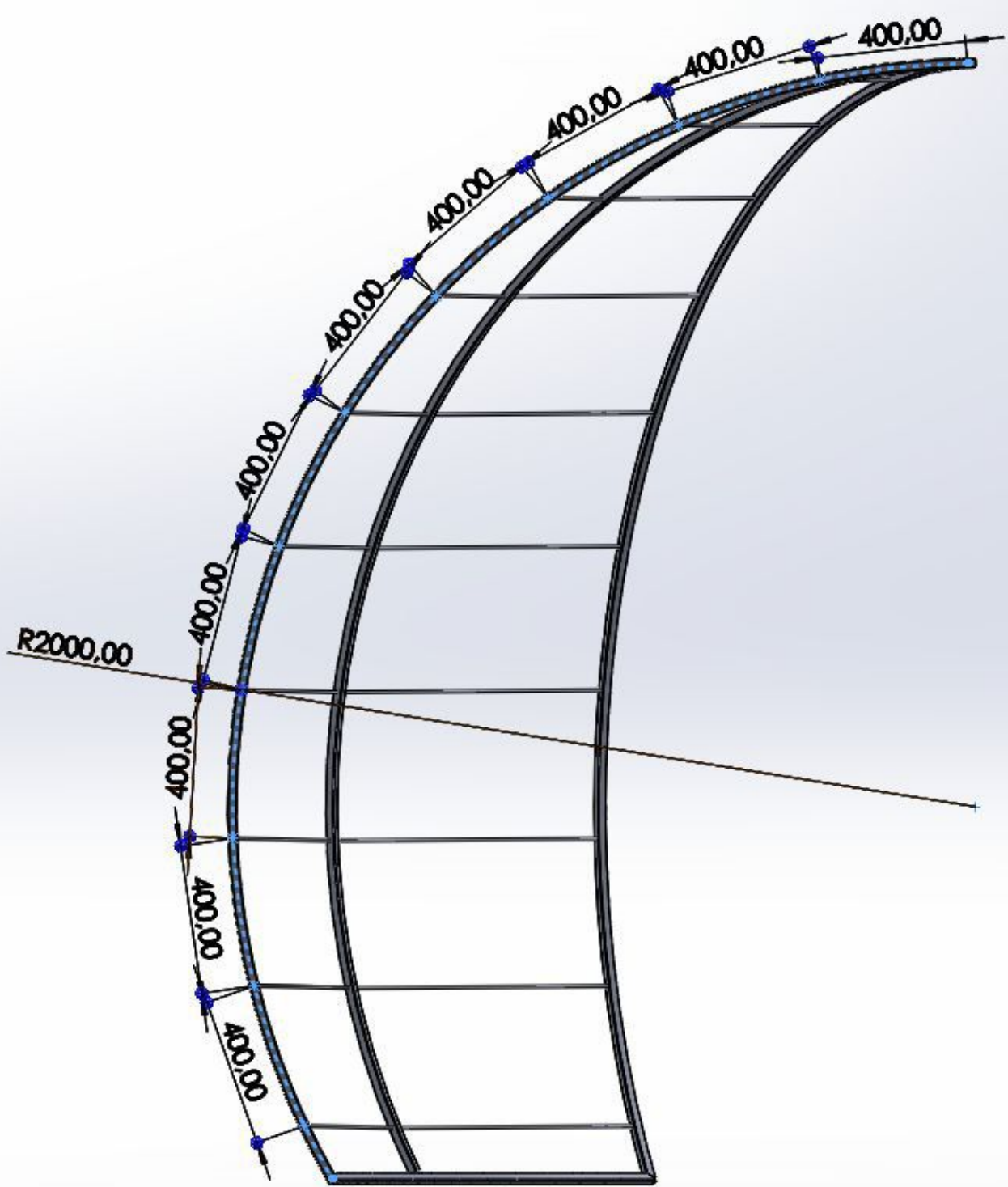


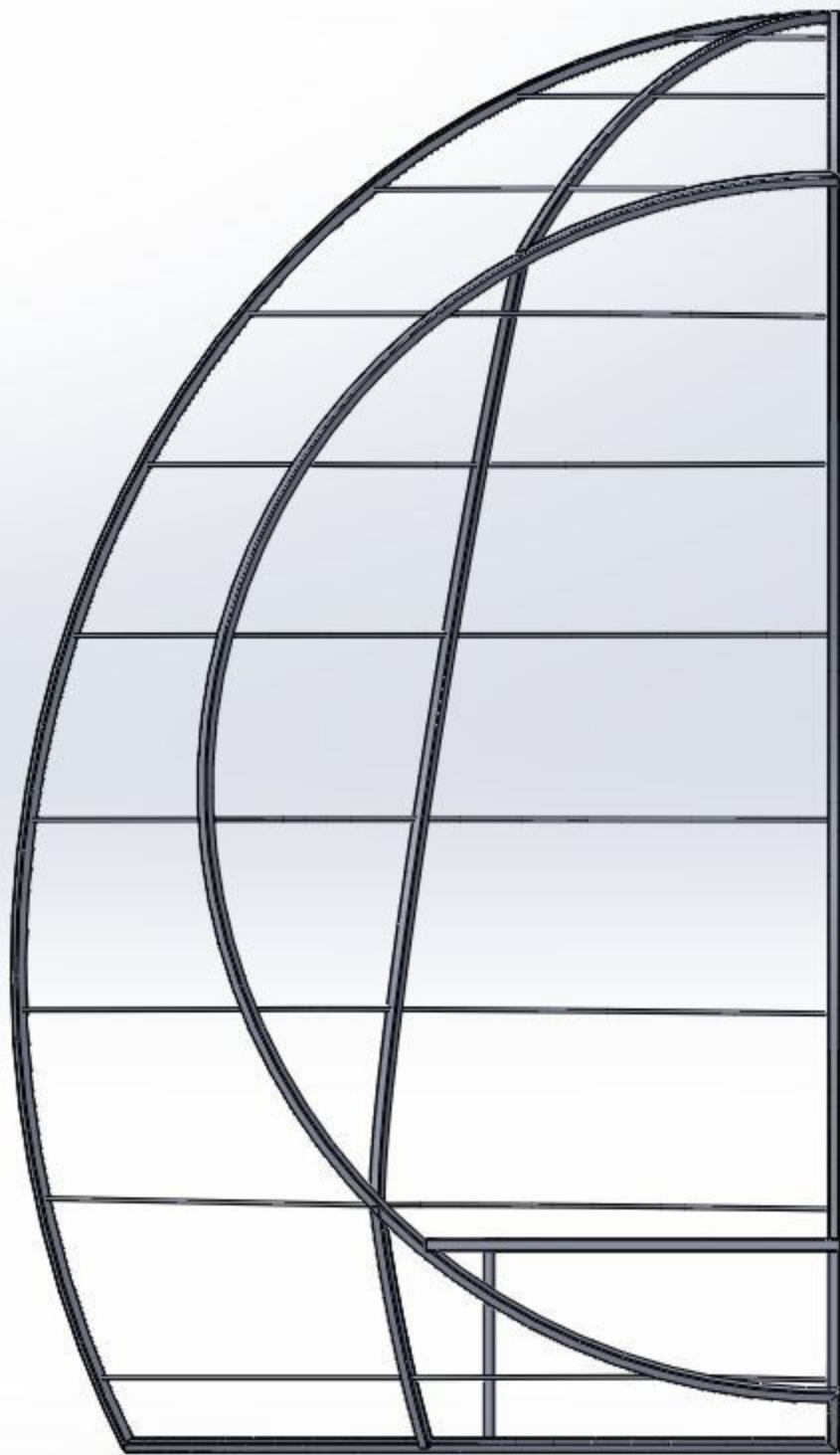


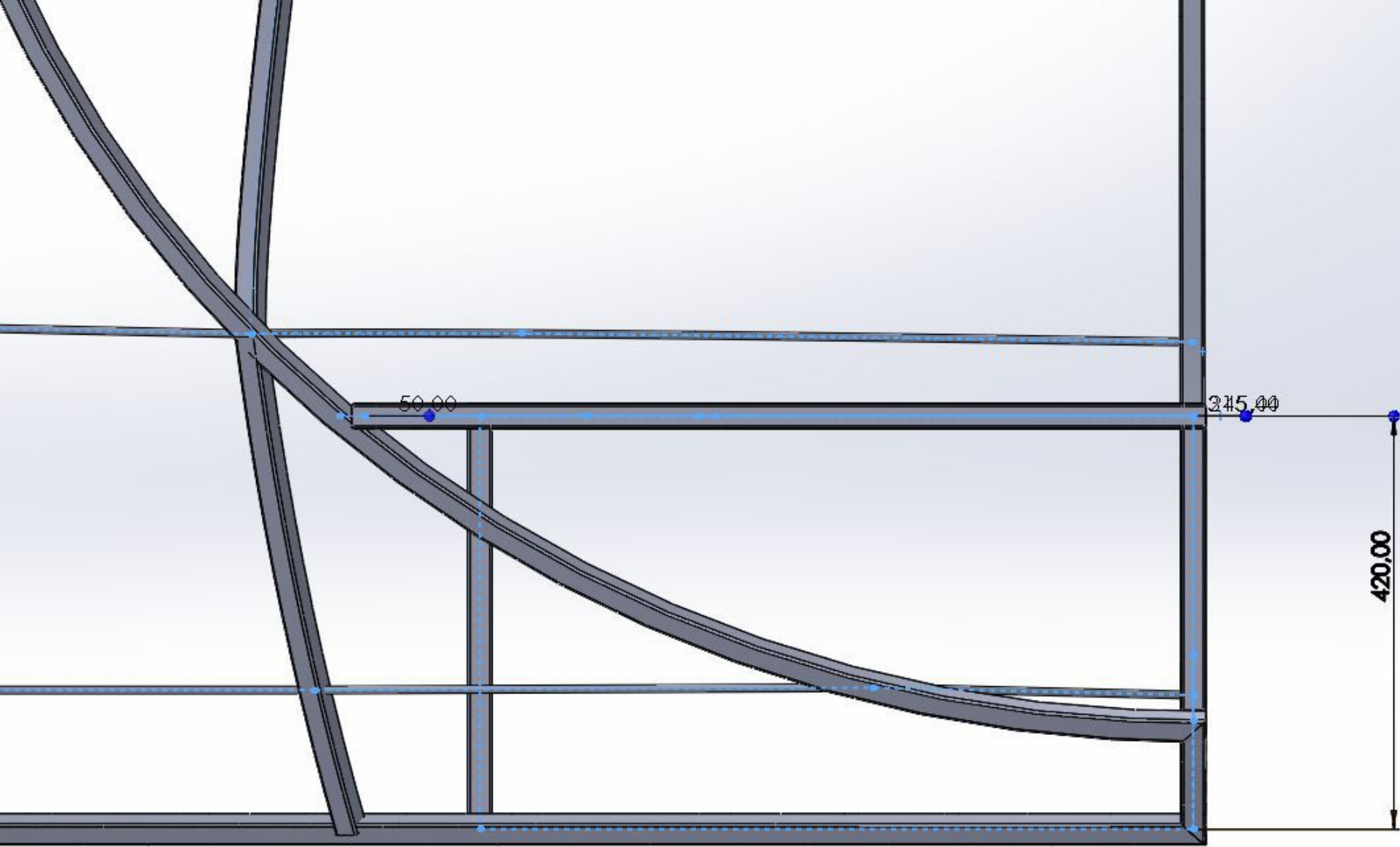
<MOD-DIAM>4000

3000









50.00

245.00

420.00

