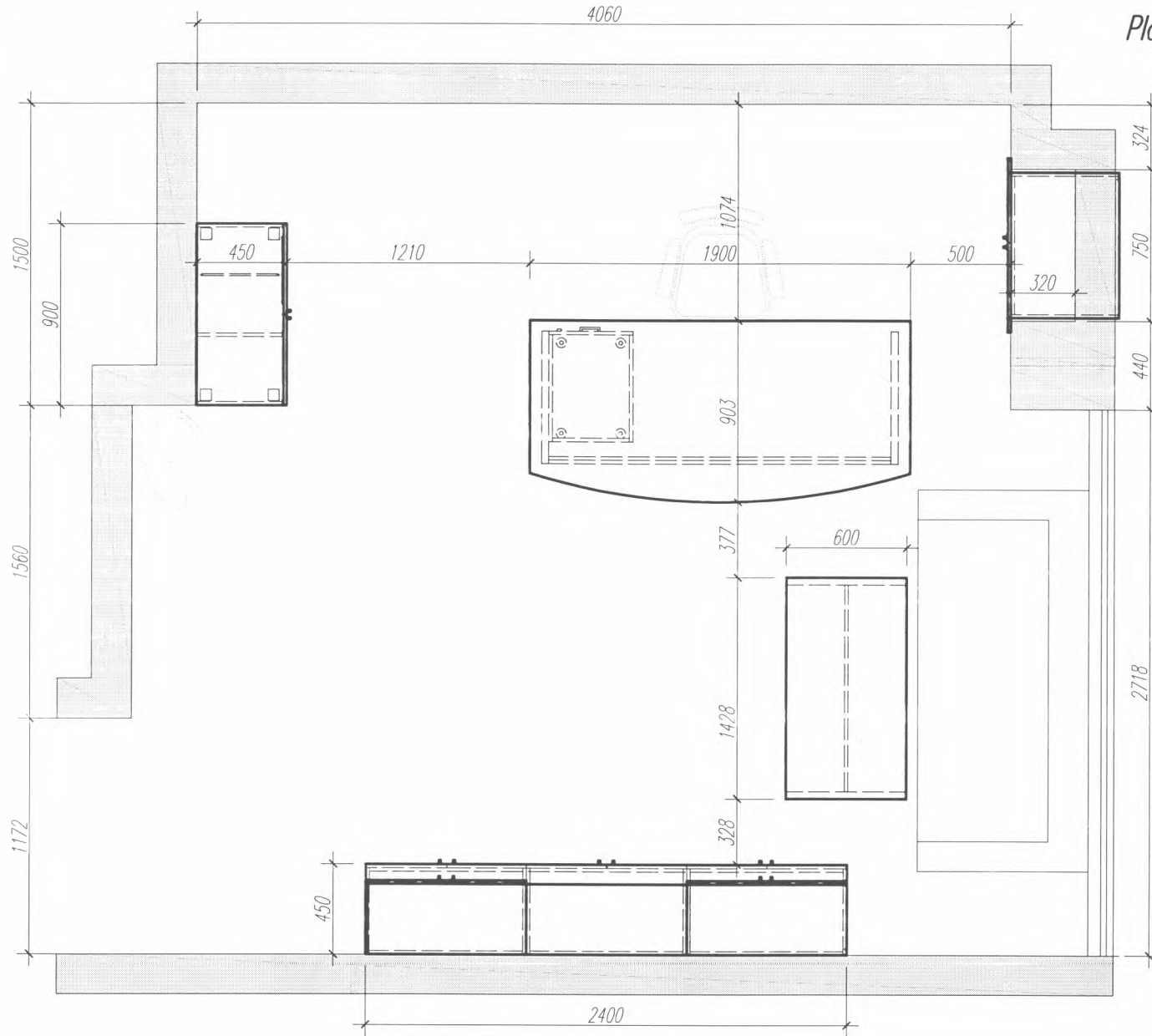


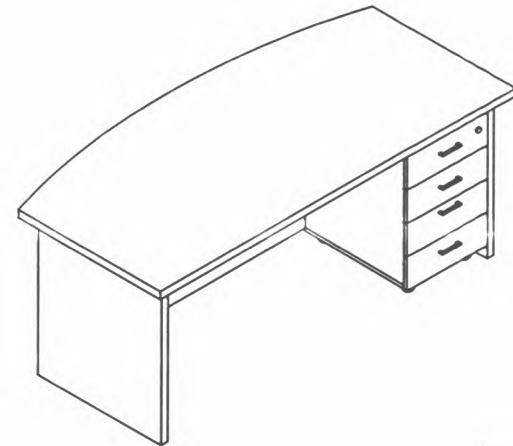
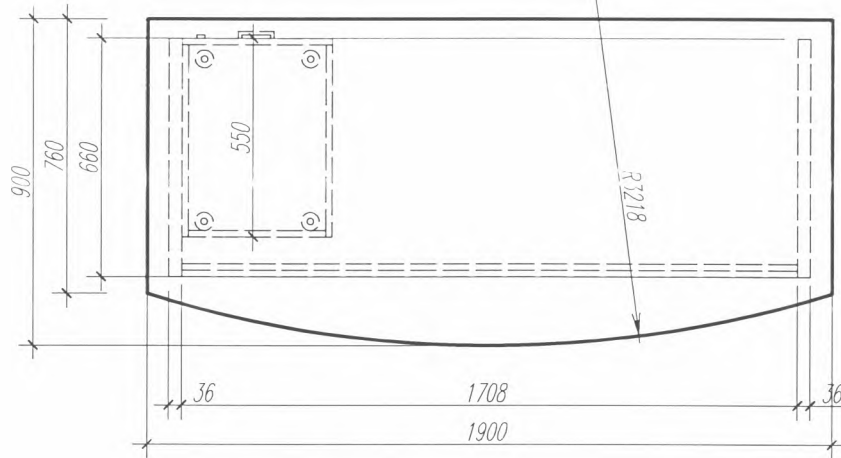
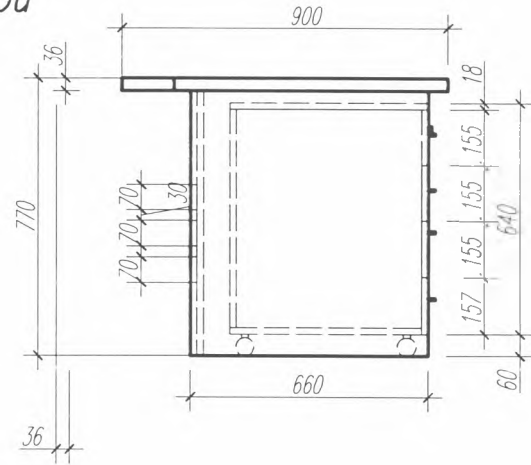
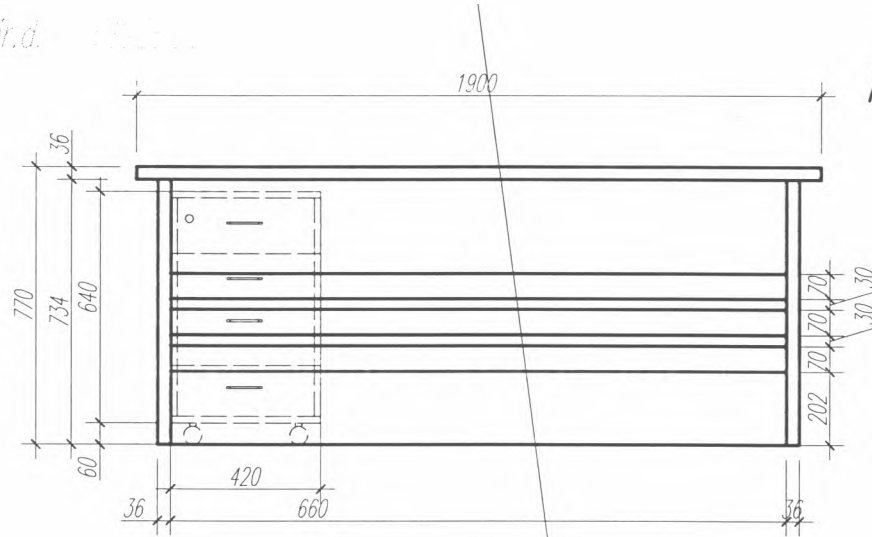
bir.d. CUSNIR

Client: USMF sf.TREIME  
Plan birou



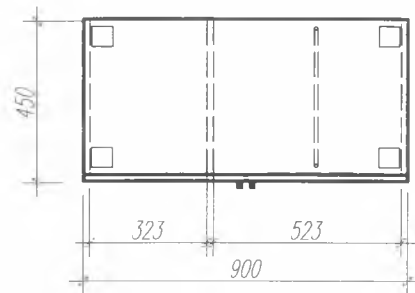
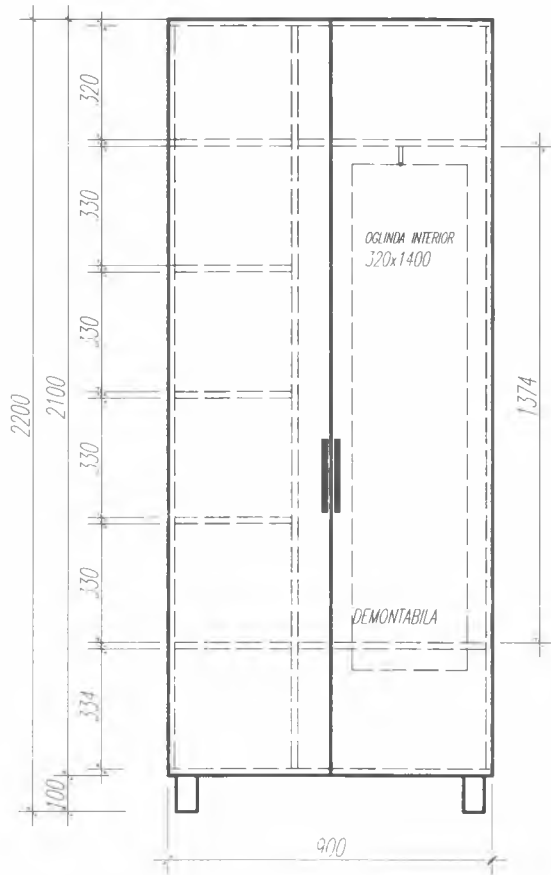
Vir.d. 11.2.2011

Client: USMF  
Masa de birou



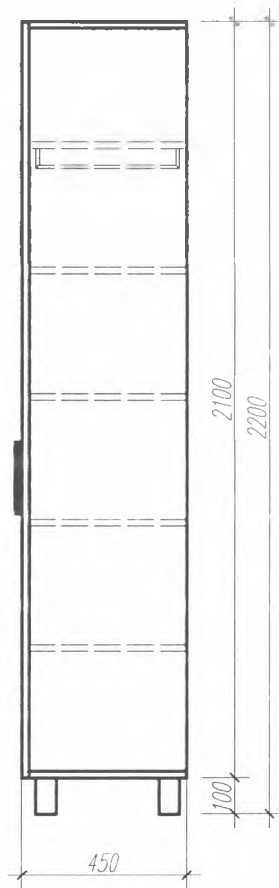
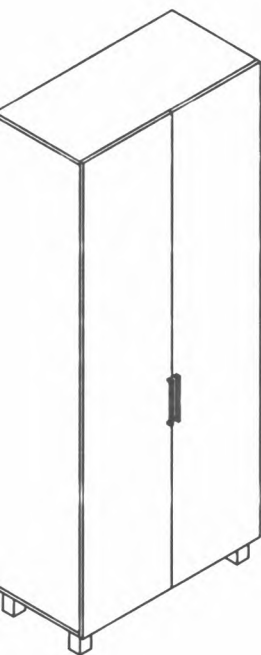
1buc.

CONTOUR



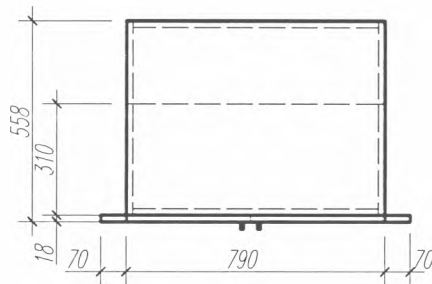
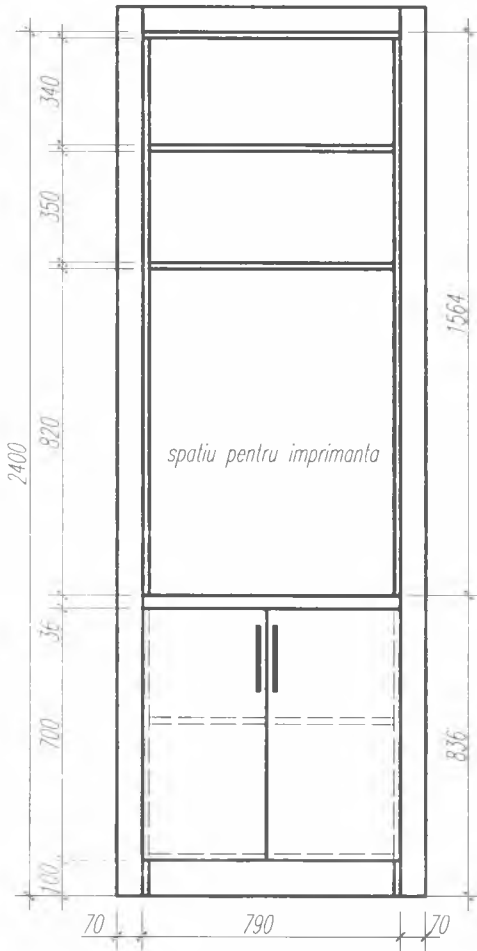
Client: USMF sf.TREIME

Dulap haine

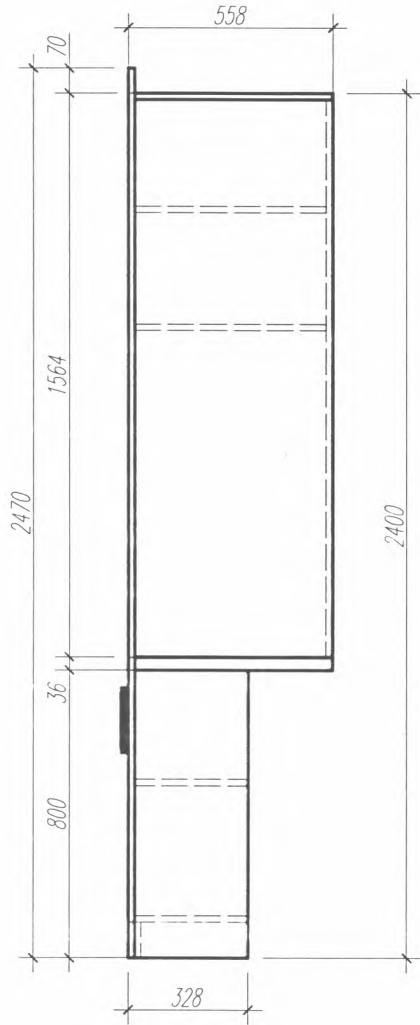
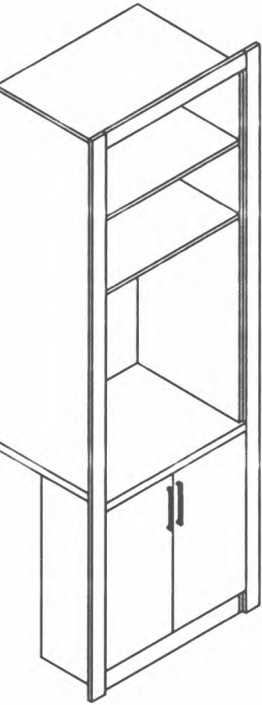


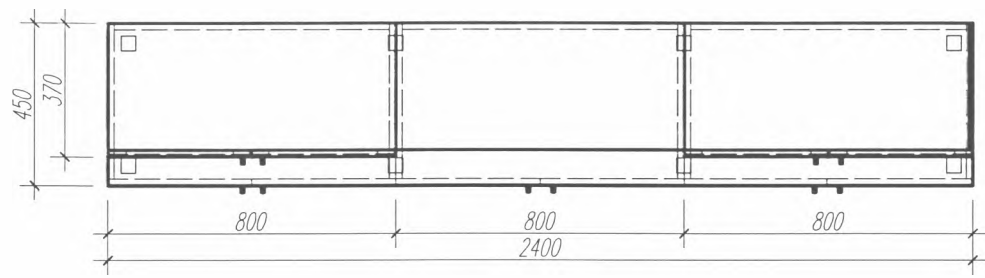
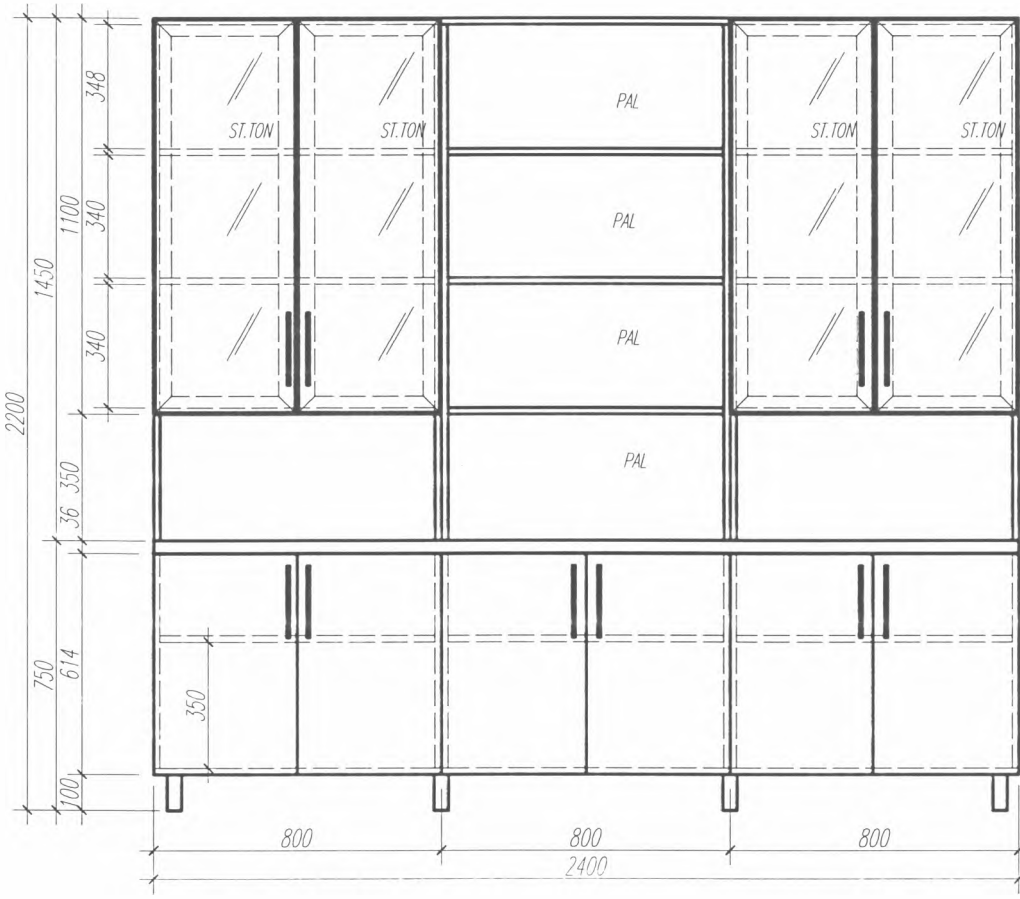
1 buc.

Fig. 2. SNIR

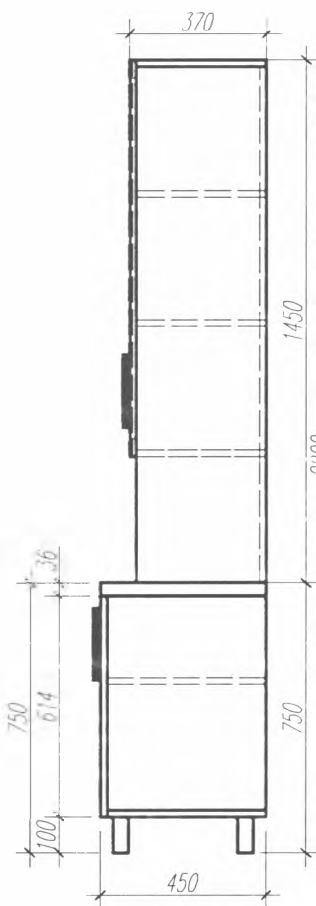
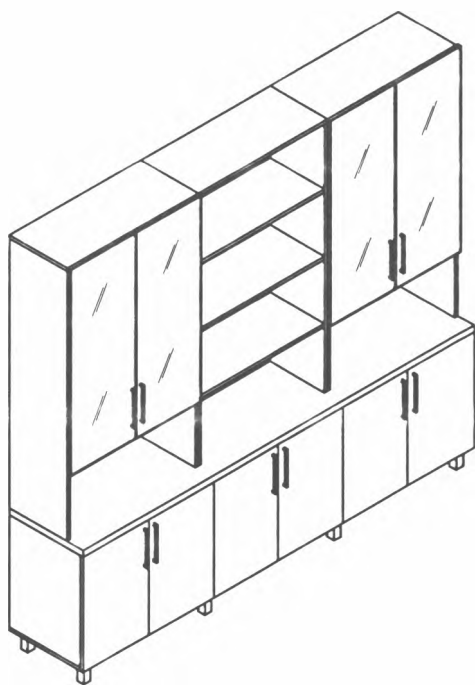


Client: USMF sf.TREIME  
DULAP NISA



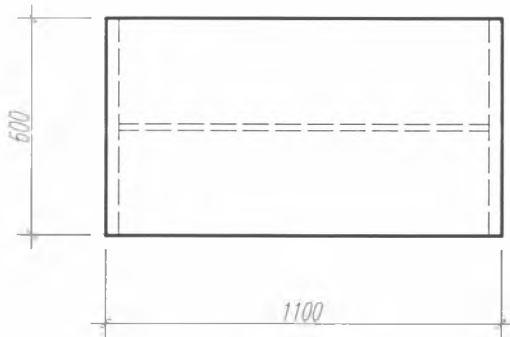
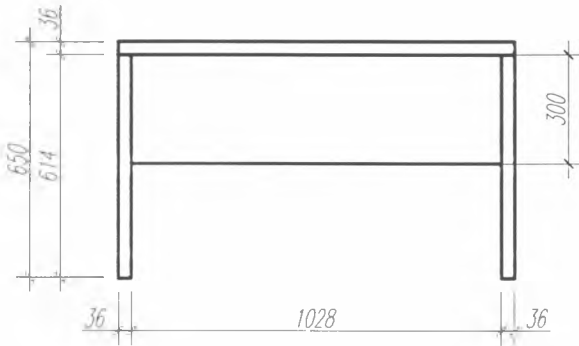


Client: USMF sf.TREIME  
GARNITURA DE BIROU

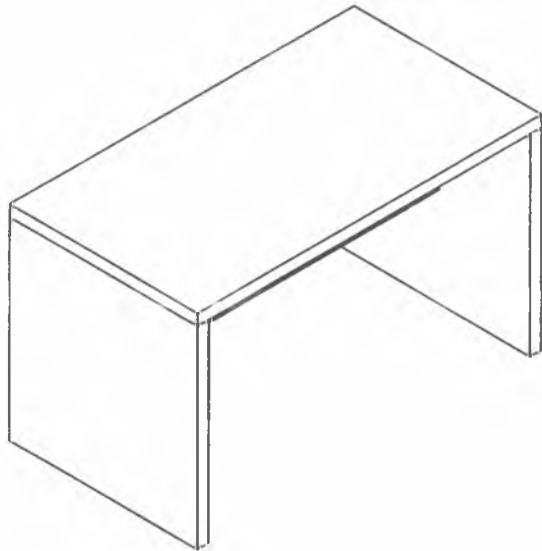
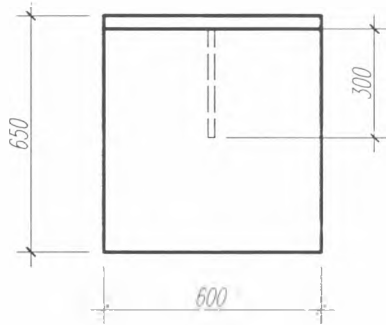




121706

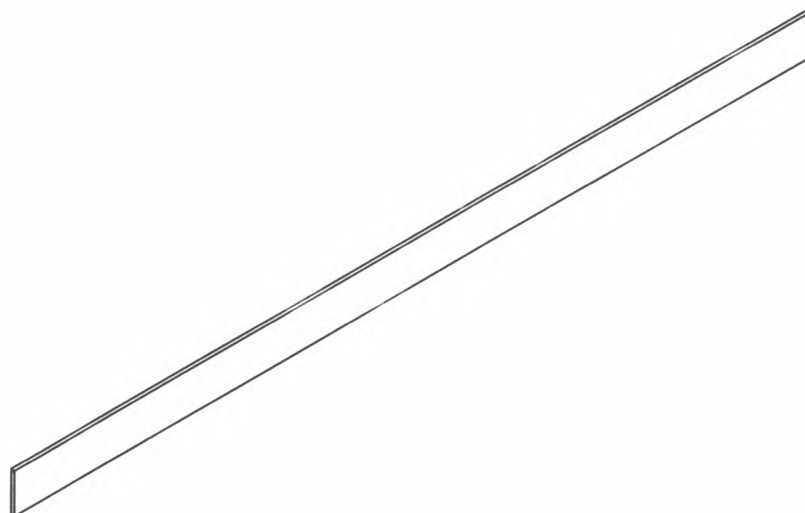
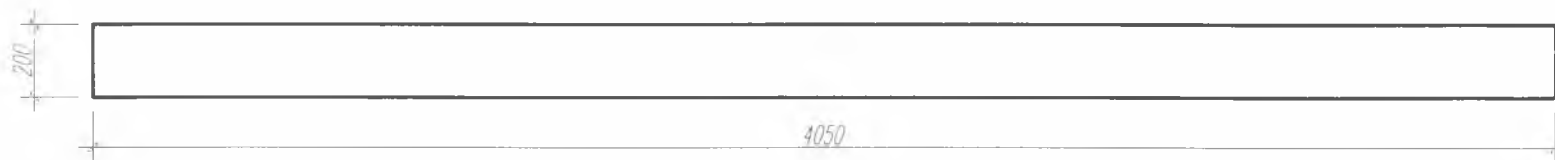


CLIENT: USMF sf.TREIME  
**ANEXA MASA**

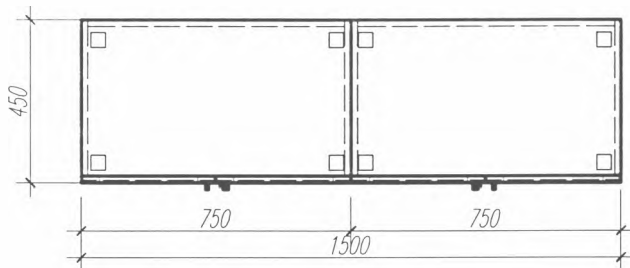
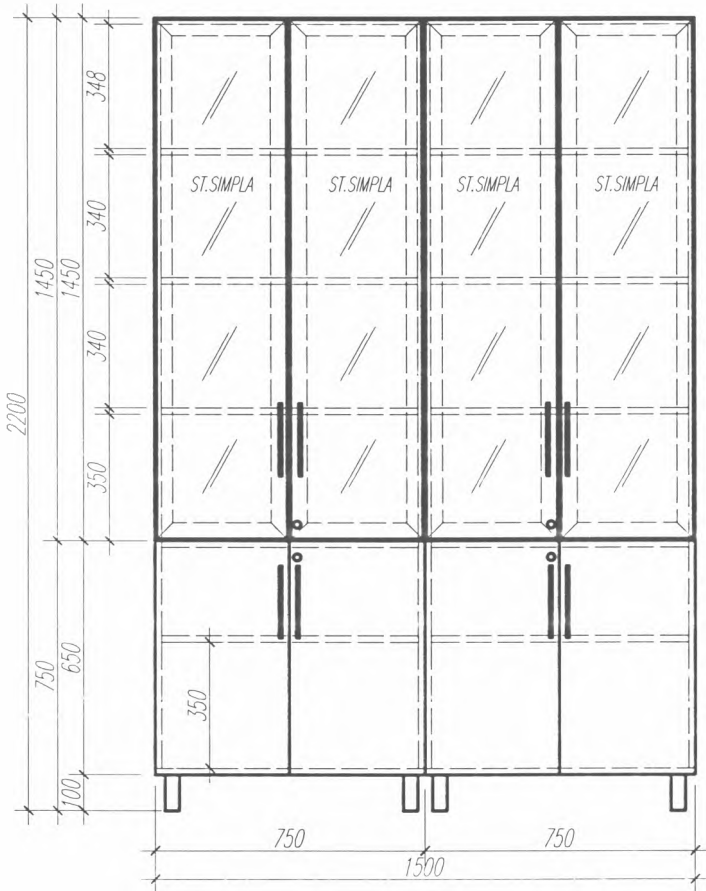


*bir.d. CUSNIR*

*Client: USMF sf.TREIME  
BRIU*



ST. SIMPLA



Client: USMF sf.TREIME  
DULAP EXPONATE

PAL

