

Evolutis
CREATEUR FABRICANT



Hactiv®
Reactiv™

Surgical Technique

Implants HACTIV® / CEMENTIV® / REACTIV™ Implants

| | Standard 135° première intention Primary Standard 135° | | | Latero-varus 128° première intention Primary Latero-varus 128° | | Standard 135° Révision Revision Standard 135° | | | |
|------------------|---|--------------------------------|---------------------|---|--------------------------------|--|--|-----------------------------------|--|
| | HAP | à colerette Collared HAP | Cimenté Cemented | HAP | à colerette Collared HAP | Fendue Slotted | Fendue à colerette Slotted Collared | Verrouillage Distal Locking | A Colerette Cimenté Collared Cemented |
| Taille / Size 7 | H49 007 (1)(2) | NA | NA | NA | NA | NA | NA | NA | NA |
| Taille / Size 8 | H49 008 (1)(2) | NA | NA | NA | NA | NA | NA | NA | NA |
| Taille / Size 9 | H49 009 | H49 C09 | H49 S09 | H49 L009 | H49 LC09 | NA | NA | NA | NA |
| Taille / Size 10 | H49 010 | H49 C10 | H49 S10 | H49 L010 | H49 LC10 | NA | NA | NA | NA |
| Taille / Size 11 | H49 011 | H49 C11 | H49 S11 | H49 L011 | H49 LC11 | NA | NA | NA | NA |
| Taille / Size 12 | H49 012 | H49 C12 | H49 S12 | H49 L012 | H49 LC12 | H49 R012 | H49 RC012 | H49 RC112 | H49 SRC012 |
| Taille / Size 13 | H49 013 | H49 C13 | H49 S13 | H49 L013 | H49 LC13 | NA | NA | NA | NA |
| Taille / Size 14 | H49 014 | H49 C14 | H49 S14 | H49 L014 | H49 LC14 | H49 R014 | H49 RC014 | H49 RC114 | H49 SRC014 |
| Taille / Size 15 | H49 015 | H49 C15 | H49 S15 | H49 L015 | H49 LC15 | NA | NA | NA | NA |
| Taille / Size 16 | H49 016 | H49 C16 | H49 S16 | H49 L016 | H49 LC16 | H49 R016 | H49 RC016 | H49 RC116 | H49 SRC016 |
| Taille / Size 18 | H49 018 | H49 C18 | NA | H49 L018 | H49 LC18 | H49 R018 | H49 RC018 | H49 RC118 | H49 SRC018 |
| Taille / Size 20 | H49 020 | H49 C20 (1) | NA | H49 L020 (1) | H49 LC20 (1) | H49 R020 | H49 RC020 | H49 RC120 | H49 SRC020 |

Têtes fémorales Femoral Heads

Vis de verrouillage Locking screw

| Diamètre Diameter | Longueur Length | Acier Inox Stainless steel | Chrome-Cobalt Cobalt-Chromium | Céramique Composite Composite Ceramic | Diamètre Diameter | Longueur Length | Ref. Cat. N° |
|----------------------|--------------------|-------------------------------|----------------------------------|--|----------------------|--------------------|-----------------|
| Ø22 | -2.0mm | H11 1220 | H10 1220 | - | Ø6.0 / 4.5 | 25mm | H15 SC6025 |
| | +0mm | H11 1221 | H10 1221 | - | Ø6.0 / 4.6 | 30mm | H15 SC6030 |
| | +2.0mm | H11 1222 | H10 1222 | - | Ø6.0 / 4.7 | 35mm | H15 SC6035 |
| Ø28 | -7mm | H11 1279 (1) | H10 1279 (1) | - | Ø6.0 / 4.8 | 40mm | H15 SC6040 |
| | -3.5mm | H11 1280 | H10 1280 | H14 C1280 | | | |
| | +0mm | H11 1281 | H10 1281 | H14 C1281 | | | |
| | +3.5mm | H11 1282 | H10 1282 | H14 C1282 | | | |
| | +7mm | H11 1283 | H10 1283 | - | | | |
| Ø32 | +10.5mm | - | H10 1284 (1)(3) | - | Ø6.0 / 4.8 | 40mm | H15 SC6040 |
| | -4mm | H11 1320 | H10 1320 | H14 C1320 | | | |
| | +0mm | H11 1321 | H10 1321 | H14 C1321 | | | |
| | +4mm | H11 1322 | H10 1322 | H14 C1322 | | | |
| | +8mm | H11 1323 | H10 1323 | - | | | |
| Ø36 | -4mm | - | H10 1360 | H14 C1360 | Ø6.0 / 4.8 | 40mm | H15 SC6040 |
| | +0mm | - | H10 1361 | H14 C1361 | | | |
| | +4mm | - | H10 1362 | H14 C1362 | | | |
| | +8mm | - | H10 1363 | - | | | |
| Ø40 | -4mm | - | - | H14 C1400 | Ø6.0 / 4.8 | 40mm | H15 SC6040 |
| | +0mm | - | - | H14 C1401 | | | |
| | +4mm | - | - | H14 C1402 | | | |

- (1) implants disponibles sur demande spéciale / implants available only on special request
 (2) limite de poids patient à 75kgs / not validated for patients exceeding 75kgs
 (3) non compatible avec les tiges latéralisées à 128° / not validated for use with 128° lateralized stems



Manche porte-râpe adapté : postéro-latéral, décalé, ou antérieur
 Choice of broach handle: postero-lateral, offset, or anterior

Instrumentation HACTIV®

Instrument Set

| Instrumentation | Ref. Cat. N° |
|--|-----------------|
| Hactiv première intention <i>Hactiv Primary</i> | H50 9100 |
| Hactiv Revision base <i>Hactiv revision basis</i> | H50 9101 |
| Complémentaire alésage <i>Reamer complementary set</i> | H50 9103 |
| Viseur de verrouillage distal <i>Distal locking aiming jig</i> | H38 9103 |



Mentions légales :
 Les implants HACTIV, CEMENTIV et REACTIV sont des dispositifs médicaux implantables de classe III indiqués pour les arthroplasties primaires totales (PTH) partielles (PIH) ou pour les révisions d'arthroplastie (PTHR) de la hanche selon la version.

Les implants HACTIV, CEMENTIV et REACTIV sont pris en charge par l'assurance maladie sous certaines conditions. Informations sur le site www.ameli.fr. Le chirurgien est expressément invité à lire attentivement les instructions mentionnées sur la notice d'utilisation incluse dans le conditionnement du DMI ainsi que le manuel de technique opératoire délivré à la mise en place du produit ou disponible en téléchargement sur le site www.evolutisfrance.com.

Matériaux / Materials:
 Tiges HACTIV® et REACTIV™ revêtues : alliage de titane TA6V selon ISO 5832-3 et HAP
 Tiges CEMENTIV® et REACTIV™ à ciment : acier inox. à haute teneur en azote selon ISO 5832-9
 Têtes fémorales : acier inox. à haute teneur en azote selon ISO 5832-9 ou alliage de chrome-cobalt selon ISO 5832-4 ou céramique d'alumine pure selon ISO 6474-1 ou céramique composite selon ISO 6474-2
 Vis de verrouillage : alliage de titane TA6V selon ISO 5832-2
 Conditionnement sous vide, stérilisation rayons gamma.
 Coated HACTIV® and REACTIV™ stems : titanium alloy TA6V according ISO 5832-3 + Calcium Hydroxyapatite
 Cemented CEMENTIV® and REACTIV™ stems : high nitrogen content stainless steel according ISO 5832-9
 Femoral heads : high nitrogen content stainless steel according ISO 5832-9 or cobalt-chromium alloy according ISO 5832-4 or pure alumina ceramic according ISO 6474-1 or ceramic composite according ISO 6474-2
 Locking screws : titanium alloy TA6V according ISO 5832-3
 Vacuum packed. Gamma ray sterilised.



Designed and
 Manufactured in
 France

Evolutis

CREATEUR FABRICANT

Product Sheet
Hactiv®
Reactiv™
Cemtiv®
Fiche Produit



Implant fémoral autostable

Première intention et révision

*Self-blocking
femoral implant*

Primary and revision indications

Evolutis

MOTION INSIDE

HACTIV / CEMENTIV HIP SYSTEM

The HACTIV uncemented primary femoral component is a fully HA coated titanium alloy stem, designed for immediate mechanical stability and long term biological fixation (1).

Made in France by the group originally responsible for the manufacture of one of the most clinically successful hip designs internationally, the HACTIV has been widely used throughout Europe with excellent results (2).

The basis of the design is a trapezoidal proximal and mid section to give immediate rotational stability and optimal metaphyseal fit.

The double taper longitudinal geometry with grooves that transfer load proximally ensure that the stem remains locked against the dense bone of the calcar and greater trochanter.

Long term fixation is enhanced through bone ingrowth into the HA coating which is plasma sprayed on to the grit blasted surface of the femoral component (3).

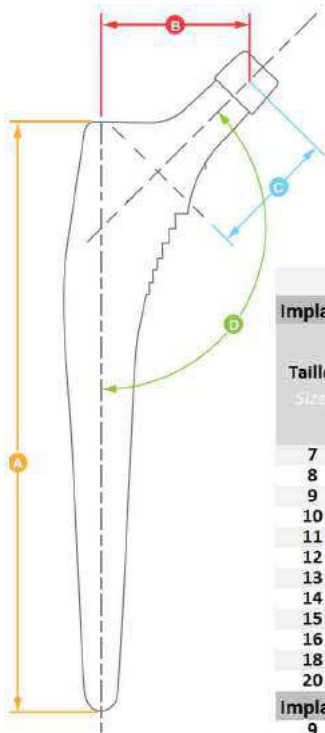
Physiological loading of the calcar region and trabecular ingrowth to the HA coating also prevent the ingress of particulate matter, reducing the potential for osteolysis.

The CEMENTIV femoral stem is the cemented version of the HACTIV. Made of High Nitrogen Content Stainless Steel material **with a smooth and polished surface**, the CEMENTIV is available in the same range of sizes and can be implanted with the same instruments.

The HACTIV / CEMENTIV Hip System offers **stainless steel, cobalt chrome, pure alumina or composite ceramic femoral heads**.

Femoral Heads come in 22.2mm, 28mm, 32mm and 36mm and 40mm (ceramic only) 12/14 Eurocone.

1. Vidalain JP. Corail® Stem Long-Term Results Based upon the 15-Years ARTRO Group Experience. Fifteen Years of Clinical Experience with Hydroxyapatite Coatings in Joint Arthroplasty. Ed. Springer, 217-224, 200
 2. The Norwegian Arthroplasty Register. <http://www.haukeland.no/nr/eng/default.htm>
 3. Frayssinet, P.; Hardy, D.; Hanker, J. and Giannara, B.: Natural History of Bone Response to Hydroxyapatite-Coated Prostheses Implanted in Humans. Cells and Materials, Vol. 5, No. 2, 1995: 125-13



Lot 5

HACTIV / CEMENTIV / REACTIV Dimensions

| | | | | | | | A | B | C | D | |
|-------------------------------------|----------------|-----------------|------------|------------|------------------|-----------------------------|------------------------|----------|----------------|--------------------------|---------------|
| Implants 135° STANDARD Implants | | | | | | | Longueur Length | | Offset Lateral | Longueur col Neck length | NSA Angle CCD |
| Taille Size | Réf Cat N° | | REV Fendue | | REV Coll. Fendue | REV Verrouil. (Distal Lock) | Première Int. Révision | | | | |
| | HACTIV HA | HACTIV Coll. HA | CEMENTIV | REV Fendue | REV Coll. Fendue | REV Verrouil. | Primary | Revision | | | |
| 7 | H49 007 (1)(2) | | | | | | 110 | | 36.0 | 38.5 | 135° |
| 8 | H49 008 (1)(2) | | | | | | 115 | | 37.0 | 38.5 | 135° |
| 9 | H49 009 | H49 C009 | H49 S09 | | | | 130 | | 38.0 | 38.5 | 135° |
| 10 | H49 010 | H49 C010 | H49 S10 | | | | 140 | | 39.0 | 38.5 | 135° |
| 11 | H49 011 | H49 C011 | H49 S11 | | | | 145 | | 39.5 | 38.5 | 135° |
| 12 | H49 012 | H49 C012 | H49 S12 | H49 R012 | H49 RC012 | H49 RC112 | 150 | 180 | 40.0 | 38.5 | 135° |
| 13 | H49 013 | H49 C013 | H49 S13 | | | | 155 | | 40.5 | 38.5 | 135° |
| 14 | H49 014 | H49 C014 | H49 S14 | H49 R014 | H49 RC014 | H49 RC114 | 160 | 200 | 41.0 | 38.5 | 135° |
| 15 | H49 015 | H49 C015 | H49 S15 | | | | 165 | | 41.5 | 38.5 | 135° |
| 16 | H49 016 | H49 C016 | H49 S16 | H49 R016 | H49 RC016 | H49 RC116 | 170 | 210 | 42.0 | 38.5 | 135° |
| 18 | H49 018 | H49 C018 | | H49 R018 | H49 RC018 | H49 RC118 | 180 | 220 | 43.0 | 38.5 | 135° |
| 20 | H49 020 | H49 C020 (2) | | H49 R020 | H49 RC020 | H49 RC120 | 190 | 240 | 44.0 | 38.5 | 135° |
| Implants 128° LATERO-VARUS Implants | | | | | | | | | | | |
| 9 | H49 L009 | H49 LC009 | | | | | 130 | | 45.0 | 42.0 | 128° |
| 10 | H49 L010 | H49 LC010 | | | | | 140 | | 46.0 | 42.0 | 128° |
| 11 | H49 L011 | H49 LC011 | | | | | 145 | | 46.5 | 42.0 | 128° |
| 12 | H49 L012 | H49 LC012 | | | | | 150 | | 47.0 | 42.0 | 128° |
| 13 | H49 L013 | H49 LC013 | | | | | 155 | | 47.5 | 42.0 | 128° |
| 14 | H49 L014 | H49 LC014 | | | | | 160 | | 48.0 | 42.0 | 128° |
| 15 | H49 L015 | H49 LC015 | | | | | 165 | | 48.5 | 42.0 | 128° |
| 16 | H49 L016 | H49 LC016 | | | | | 170 | | 49.0 | 42.0 | 128° |
| 18 | H49 L018 | H49 LC018 | | | | | 180 | | 50.0 | 42.0 | 128° |
| 20 | H49 L020 (2) | H49 LC020 (2) | | | | | 190 | | 51.0 | 42.0 | 128° |

(1) not validated for patients exceeding 75kgs
 (2) implants available only on special request

REFERENCES

Implants HACTIV® / REACTIV® Implants

| | Standard 135° première intention Primary Standard 135° | | | Latero-varus 128° première intention Primary Latero-varus 128° | | Standard 135° Révision Revision Standard 135° | | | |
|------------------|---|--------------------------------|---------------------|---|--------------------------------|--|--|-----------------------------------|--|
| | HAP | à colerette Collared HAP | Cimenté Cemented | HAP | à colerette Collared HAP | Fendue Slotted | Fendue à colerette Slotted Collared | Verrouillage Distal Locking | A Colerette Cimenté Collared Cemented |
| Taille / Size 7 | H49 007 (1)(2) | NA | NA | NA | NA | NA | NA | NA | NA |
| Taille / Size 8 | H49 008 (1)(2) | NA | NA | NA | NA | NA | NA | NA | NA |
| Taille / Size 9 | H49 009 | H49 C09 | H49 S09 | H49 L009 | H49 LC09 | NA | NA | NA | NA |
| Taille / Size 10 | H49 010 | H49 C10 | H49 S10 | H49 L010 | H49 LC10 | NA | NA | NA | NA |
| Taille / Size 11 | H49 011 | H49 C11 | H49 S11 | H49 L011 | H49 LC11 | NA | NA | NA | NA |
| Taille / Size 12 | H49 012 | H49 C12 | H49 S12 | H49 L012 | H49 LC12 | H49 R012 | H49 RC012 | H49 RC112 | H49 SRC012 |
| Taille / Size 13 | H49 013 | H49 C13 | H49 S13 | H49 L013 | H49 LC13 | NA | NA | NA | NA |
| Taille / Size 14 | H49 014 | H49 C14 | H49 S14 | H49 L014 | H49 LC14 | H49 R014 | H49 RC014 | H49 RC114 | H49 SRC014 |
| Taille / Size 15 | H49 015 | H49 C15 | H49 S15 | H49 L015 | H49 LC15 | NA | NA | NA | NA |
| Taille / Size 16 | H49 016 | H49 C16 | H49 S16 | H49 L016 | H49 LC16 | H49 R016 | H49 RC016 | H49 RC116 | H49 SRC016 |
| Taille / Size 18 | H49 018 | H49 C18 | NA | H49 L018 | H49 LC18 | H49 R018 | H49 RC018 | H49 RC118 | H49 SRC018 |
| Taille / Size 20 | H49 020 | H49 C20 (1) | NA | H49 L020 (1) | H49 LC20 (1) | H49 R020 | H49 RC020 | H49 RC120 | H49 SRC020 |

(1) limite de poids patient à 75kgs / not validated for patients exceeding 75kgs
(2) implants disponibles sur demande spéciale / implants available only on special request



Femoral broaches:
choice of machined
bone-compact
structure (picture) or
embossed spiked
structure.



From top : postero-lateral,
anterior approach, and lateral
offset broach handle.

Têtes Fémorales Femoral Heads

| Matériau / Material | Taille Size | Réf. Cat N° | Matériau / Material | Taille Size | Réf. Cat N° |
|--|-------------|-------------|-------------------------------------|-------------|-------------|
| Inox M30NW / Stainless Steel | Ø28 -3.5mm | H11 1280 | Alumine / Alumina | Ø28 -3.5mm | H14 1280 |
| Inox M30NW / Stainless Steel | Ø28 +0mm | H11 1281 | Alumine / Alumina | Ø28 +0mm | H14 1281 |
| Inox M30NW / Stainless Steel | Ø28 +3.5mm | H11 1282 | Alumine / Alumina | Ø28 +3.5mm | H14 1282 |
| Inox M30NW / Stainless Steel | Ø28 +7mm | H11 1283 | Céram. Composite / Composite Ceram. | Ø32 -4mm | H14 C1320 |
| Chrome-Cobalt / Cobalt-Chromium (1) | Ø28 -7mm | H10 1279 | Céram. Composite / Composite Ceram. | Ø32 +0mm | H14 C1321 |
| Chrome-Cobalt / Cobalt-Chromium | Ø28 -3.5mm | H10 1280 | Céram. Composite / Composite Ceram. | Ø32 +4mm | H14 C1322 |
| Chrome-Cobalt / Cobalt-Chromium | Ø28 +0mm | H10 1281 | Céram. Composite / Composite Ceram. | Ø32 +8mm | H14 C1323 |
| Chrome-Cobalt / Cobalt-Chromium | Ø28 +3.5mm | H10 1282 | Céram. Composite / Composite Ceram. | Ø36 -4mm | H14 C1360 |
| Chrome-Cobalt / Cobalt-Chromium | Ø28 +7mm | H10 1283 | Céram. Composite / Composite Ceram. | Ø36 +0mm | H14 C1361 |
| Chrome-Cobalt / Cobalt-Chromium (1)(3) | Ø28 +10.5mm | H10 1284 | Céram. Composite / Composite Ceram. | Ø36 +4mm | H14 C1362 |
| Chrome-Cobalt / Cobalt-Chromium | Ø32 -4mm | H10 1320 | Céram. Composite / Composite Ceram. | Ø36 +8mm | H14 C1363 |
| Chrome-Cobalt / Cobalt-Chromium | Ø32 +0mm | H10 1321 | | | |
| Chrome-Cobalt / Cobalt-Chromium | Ø32 +4mm | H10 1322 | | | |
| Chrome-Cobalt / Cobalt-Chromium | Ø32 +8mm | H10 1323 | | | |

Instrumentation HACTIV® Instrument Set H50 9100

| Description | Nbre. Numb. Articles | Réf. Cat N° | Description | Nbre. Numb. Articles | Réf. Cat N° |
|--|-------------------------|-------------|---------------------------------|-------------------------|-------------|
| Plateau avec couvercle / Tray with Lid | 1 | H50 9000 | Râpe Taille 9 / Broach size 9 | 1 | H50 009 |
| Manche porte-râpe / Broach handle | 2 | H01 009 | Râpe Taille 10 / Broach size 10 | 1 | H50 010 |
| Ciseau évideur / Box chisel | 1 | H01 013 | Râpe Taille 11 / Broach size 11 | 1 | H50 011 |
| Chemise bt conique / Conical tip sleeve | 1 | H01 021 | Râpe Taille 12 / Broach size 12 | 1 | H50 012 |
| Impacteur à bout sphérique | 1 | H01 023 | Râpe Taille 13 / Broach size 13 | 1 | H50 013 |
| Masse coulissante / Slap hammer | 1 | H01 033 | Râpe Taille 14 / Broach size 14 | 1 | H50 014 |
| Embout pousse-tête / Head pusher tip | 1 | H02 001 | Râpe Taille 15 / Broach size 15 | 1 | H50 015 |
| Tête d'essai Ø28 -3.5mm Trial Head | 1 | H02 2280 | Râpe Taille 16 / Broach size 16 | 1 | H50 016 |
| Tête d'essai Ø28 +0mm Trial Head | 1 | H02 2281 | Râpe Taille 18 / Broach size 18 | 1 | H50 018 |
| Tête d'essai Ø28 +3.5mm Trial Head | 1 | H02 2282 | Râpe Taille 20 / Broach size 20 | 1 | H50 020 |
| Tête d'essai Ø28 +7mm Trial Head | 1 | H02 2283 | | | |
| Tête d'essai Ø32 -4mm Trial Head | 1 | H02 2320 | | | |
| Tête d'essai Ø32 +0mm Trial Head | 1 | H02 2321 | | | |
| Tête d'essai Ø32 +4mm Trial Head | 1 | H02 2322 | | | |
| Impacteur de tige / Stem impactor | 1 | H38 022 | | | |
| Col d'essai 135° standard Trial Neck | 1 | H50 003 | | | |
| Col d'essai 128° latero-varus Trial Neck | 1 | H50 005 | | | |

| Options | Nbre. Numb. Articles | Numb. Articles |
|---------------------------------|-------------------------|-------------------|
| Anterior approach broach handle | 2 | H01 027 |
| Right Offset broach handle | 1 | H01 048 |
| Left Offset broach handle | 1 | H01 049 |
| Head pusher tip for Ø36 & 40mm | 1 | H36 002 |



Materials:
Coated HACTIV® and REACTIV™ stems : titanium alloy TA6V according ISO 5832-3 + Calcium Hydroxyapatite
Cemented CEMTIV® stems : high nitrogen content stainless steel according ISO 5832-9
Femoral heads : high nitrogen content stainless steel according ISO 5832-9 or cobalt-chromium alloy according ISO 5832-4 or pure alumina ceramic according ISO 6474-1 or ceramic composite according ISO 6474-2
Locking screws: titanium alloy TA6V according ISO 5832-3
Vacuum packed. Gamma ray sterilised.



E v o l u t i s
C R E A T E U R F A B R I C A N T

Product Sheet
**DM Cemented
& Cross-shell**
Fiche Produit



*Dual Mobility Cemented
acetabular Cup and Protrusio cross-shell*

Cupule acétabulaire à double
mobilité à Ciment et Croix de
reconstruction

E v o l u t i s
C R E A T E U R F A B R I C A N T



CAPTIV

press fit dual mobility cup



POLYETHYLENE

Crosslinked Polyethylene



CAPITOLE

Cemented dual mobility cup

10 years clinical use

CAPTIV DM[®]
CAPITOLE[®]

DUAL MOBILITY: A GUARANTEE OF STABILITY

CAPTIV DM :

Dual Mobility ensures a high degree of articular stability and large range of motion. Primary stability is ensured by an excellent peripheral press fit.

CAPTIV specifications :

- The cups are made from nitrogen enriched M30 stainless steel : this steel is 40% more resistant than 316L and much less prone to corrosion. It avoids the risk of galvanic corrosion with titanium coating.
- The cup is entirely coated with a layer of 150 microns of porous titanium with a second coating of 100 microns of osteoconductive hydroxyapatite
- Peripheral pressfit is proportional to size with an average of 1mm.
- The pole is congruent with bone reamed, it is recommended to use the same size cup as the reamer ensuring the press fit.



CAPITOLE :

A complete range of Dual Mobility cups : press-fit and cemented Dual Mobility ensures a high degree of articular stability and large ranges of motion.

CAPITOLE specifications :

- The cemented CAPITOLE C cup has a mobile insert for enhanced stability in different indications.
- Stainless steel cup, mirror polished inside and on the outside.
 - Reaming and cup size are size for size.
 - The cup has incorporated spacers which guarantee a regular cement mantle according to Charnley principles.
- The peripheral rim is flanged which ensures correct centring of the cup and cement pressurisation. The cement escapes via 3 vents.

Cement mantle and pressurisation is therefore of good quality.



MOBILE INSERT :

- The chamfered mobile insert is strongly retentive in order to prevent the head from dislocating.

Test CRITT (Independent Laboratory) :105,5daN pull out (1 daN equivalent to 1Kg).

- The polyethylene sphere behaves like a big head of at least 40 mm which ensures a large range of motion and stability which has been shown to be above 99,8%.

- Internal diameter for different heads. :

*Polyethylene for $\varnothing 28$ mm heads.

- The range of sizes extends from $\varnothing 46$ mm to $\varnothing 62$ mm ($\varnothing 47$ mm to $\varnothing 61$ mm Cemented).

Polyethylene wear of the retentive collar is reduced by the self centring anti capsizing insert which automatically realigns itself in the axis of constraints.



PEXEL® Polyethylene, "moderately crosslinked"

Ultra high molecular weight polyethylene (over 7 million), only made by extrusion. Cross linkage is obtained by using a moderate level of irradiation of about 40 kGy under vacuum.

Vac U Pac packaging is done under vacuum in a foil pouch free of oxygen, (seal validation undertaken by the Laboratoire National d'Essai (LNE))

Wear test undertaken by CERAH laboratory on a CAPITOLE T cup with an aged polyethylene:

- After 5 000 000 de cycles, the amount of mass lost was 131,7 mg, which corresponds to a penetration rate of 0,05 mm/year ; ie 5 times less than with standard polyethylene.

- The graph represents mass lost during walking cycles, getting up from a chair and stairs.



References

CAPITOLE C dual mobility Cemented cup Cupule à Cimenter à double mobilité CAPITOLE C

| Shell ϕ Cupule | CAPITOLE C | $\phi 22.2$ | $\phi 28$ |
|---------------------|------------|-------------------|-------------------|
| | | PE Liner / Insert | PE Liner / Insert |
| $\phi 45$ | H51 C045 | H51 M2245 | - |
| $\phi 47$ | H51 C047 | H51 M2247 | H51 M2847 |
| $\phi 49$ | H51 C049 | H51 M2249 | H51 M2849 |
| $\phi 51$ | H51 C051 | H51 M2251 | H51 M2851 |
| $\phi 53$ | H51 C053 | H51 M2253 | H51 M2853 |
| $\phi 55$ | H51 C055 | H51 M2255 | H51 M2855 |
| $\phi 57$ | H51 C057 | H51 M2257 | H51 M2857 |
| $\phi 59$ | H51 C059 | H51 M2259 | H51 M2859 |
| $\phi 61$ | H51 C061 | H51 M2261 | H51 M2861 |

Protrusio Cross-shell Croix de reconstruction

| Size / Taille | For cemented cup ϕ Pour cupule ϕ | Inner ϕ Interne | Outer ϕ Externe | Cat N° |
|---------------|---|----------------------|----------------------|---------|
| $\phi 46$ | ≤ 45 | 46 | 50 | H13 046 |
| $\phi 50$ | 46 - 49 | 50 | 54 | H13 050 |
| $\phi 54$ | 50 - 53 | 54 | 58 | H13 054 |
| $\phi 58$ | 54 - 57 | 58 | 62 | H13 058 |
| $\phi 62$ | 58 - 61 | 62 | 66 | H13 062 |

Screws Vis

| Description | ϕ (mm) | L. (mm) | Cat N° |
|--------------------------------|-------------|---------|-----------|
| Cortical screw / Vis corticale | 5 | 35 | H16 S5035 |
| Cortical screw / Vis corticale | 5 | 40 | H16 S5040 |
| Cortical screw / Vis corticale | 5 | 45 | H16 S5045 |
| Cortical screw / Vis corticale | 5 | 50 | H16 S5050 |
| Cortical screw / Vis corticale | 5 | 55 | H16 S5055 |
| Cortical screw / Vis corticale | 5 | 60 | H16 S5060 |

Instrumentation
CAPITOLE
Curved Handle
Manche Courbe
H52 9101

Instrumentation
CAPITOLE
Straight Handle
Manche Droit
H52 9100

Instrumentation
Cross-shell
Croix de
reconstruction
H03 9102

Evolutis
MOTION INSIDE

Mentions légales :

Les implants acétabulaires CAPITOLE sont des dispositifs médicaux implantables de classe III indiqués pour les arthroplasties primaires totales (PTH) ou en révision (PTHR) de la hanche selon la version.

Les Croix de reconstruction sont des dispositifs médicaux implantables de classe IIb indiqués pour les révisions d'arthroplasties (PTHR) de la hanche.

Les implants CAPITOLE et Croix de reconstruction sont pris en charge par l'assurance maladie. Informations sur www.ameli.fr.

Le chirurgien est expressément invité à prendre connaissance des instructions mentionnées sur la notice d'utilisation incluse dans le conditionnement du DMI, ainsi que celles portées sur le manuel de technique opératoire délivré à la mise en place du produit ou disponible en téléchargement sur le site www.evolutisfrance.com.

Materials / Matériaux :

Cups: Stainless steel according ISO 5832-1

Liners: UHMWPE according ISO 5834-1 & 2

Cross-shell: Stainless steel according ISO 5832-1 with spacers in UHMWPE according ISO 5834-1 & 2

Screws: Stainless steel according ISO 5832-1

Packaging: Sterilized under Gamma irradiation, VacUpac packaging

Cupules : Acier inoxydable selon ISO 5832-1

Inserts : UHMWPE selon ISO 5834-1 et 2

Croix de reconstruction : Acier inoxydable selon ISO 5832-1 et spacers en UHMWPE selon ISO 5834-1 & 2

Vis : Acier inoxydable selon ISO 5832-1

Conditionnement : Sterilisé sous rayonnement Gamma, conditionnement VacUpac

CE Evolutis
10 Place des Tuilliers, 42720 Briennon, France
2797 Tel : +33. (0)477.60.79.99 – Fax : +33. (0)477.60.79.90
www.evolutisfrance.com

Designed
and
Manufactured
in France

Cupules CAPTIV® Acetabular cups

| Description | ∅ | Réf. Cat N° | Description | ∅ | Réf. Cat N° |
|--|----|----------------|--|----|----------------|
| HA ss ciment Press-Fit / C.less HA Press-Fit | 44 | H29 DM044 | HA ss. ciment av. picots / C.less HA with spikes | 44 | H29 DM144 |
| HA ss ciment Press-Fit / C.less HA Press-Fit | 46 | H29 DM046 | HA ss. ciment av. picots / C.less HA with spikes | 46 | H29 DM146 |
| HA ss ciment Press-Fit / C.less HA Press-Fit | 48 | H29 DM048 | HA ss. ciment av. picots / C.less HA with spikes | 48 | H29 DM148 |
| HA ss ciment Press-Fit / C.less HA Press-Fit | 50 | H29 DM050 | HA ss. ciment av. picots / C.less HA with spikes | 50 | H29 DM150 |
| HA ss ciment Press-Fit / C.less HA Press-Fit | 52 | H29 DM052 | HA ss. ciment av. picots / C.less HA with spikes | 52 | H29 DM152 |
| HA ss ciment Press-Fit / C.less HA Press-Fit | 54 | H29 DM054 | HA ss. ciment av. picots / C.less HA with spikes | 54 | H29 DM154 |
| HA ss ciment Press-Fit / C.less HA Press-Fit | 56 | H29 DM056 | HA ss. ciment av. picots / C.less HA with spikes | 56 | H29 DM156 |
| HA ss ciment Press-Fit / C.less HA Press-Fit | 58 | H29 DM058 | HA ss. ciment av. picots / C.less HA with spikes | 58 | H29 DM158 |
| HA ss ciment Press-Fit / C.less HA Press-Fit | 60 | H29 DM060 | HA ss. ciment av. picots / C.less HA with spikes | 60 | H29 DM160 |
| HA ss ciment Press-Fit / C.less HA Press-Fit | 62 | H29 DM062 | HA ss. ciment av. picots / C.less HA with spikes | 62 | H29 DM162 |

Inserts DM CAPTIV® DM Liners

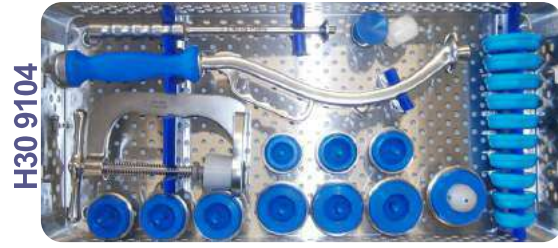
| ∅ de cupule ∅ of cup | Description | Tête / Head 22.2 | ∅ | Tête / Head ∅ 28 |
|-------------------------|----------------------------------|---------------------|-----------|---------------------|
| 44 | Insert UHMWPE PEXEL UHMWPE liner | H51 M2245 | | |
| 46 | Insert UHMWPE PEXEL UHMWPE liner | H51 M2247 | H51 M2847 | |
| 48 | Insert UHMWPE PEXEL UHMWPE liner | H51 M2249 | H51 M2849 | |
| 50 | Insert UHMWPE PEXEL UHMWPE liner | H51 M2251 | H51 M2851 | |
| 52 | Insert UHMWPE PEXEL UHMWPE liner | H51 M2253 | H51 M2853 | |
| 54 | Insert UHMWPE PEXEL UHMWPE liner | H51 M2255 | H51 M2855 | |
| 56 | Insert UHMWPE PEXEL UHMWPE liner | H51 M2257 | H51 M2857 | |
| 58 | Insert UHMWPE PEXEL UHMWPE liner | H51 M2259 | H51 M2859 | |
| 60 | Insert UHMWPE PEXEL UHMWPE liner | H51 M2261 | H51 M2861 | |
| 62 | Insert UHMWPE PEXEL UHMWPE liner | H51 M2263 | H51 M2863 | |



Instrumentation CAPTIV® Instrument Set

| Description | H30 9102 Droit/Straight | H30 9104 Courbe/Curved | Description | H30 9102 Droit/Straight | H30 9104 Courbe/Curved |
|--|----------------------------|---------------------------|---|----------------------------|---------------------------|
| Plateau avec couvercle / Tray with Lid | H30 9002 | H30 9004 | Préhenseur de cotyle Ø46-47 cup impaction tip | H52 2247 | H52 P47 |
| Corps d'impacteur / Cup impactor (body) | H52 007 | - | Préhenseur de cotyle Ø48-49 cup impaction tip | H52 2249 | H52 P49 |
| Vis d'impacteur / Cup impactor (Screw) | H52 008 | - | Préhenseur de cotyle Ø50-51 cup impaction tip | H52 2251 | H52 P51 |
| Manche impacteur courbe / Curved impaction shaft | - | H52 036 | Préhenseur de cotyle Ø52-53 cup impaction tip | H52 2253 | H52 P53 |
| Tige d'orientation Ø18 Orientation axis | H03 013 | H76 019 | Préhenseur de cotyle Ø54-55 cup impaction tip | H52 2255 | H53 P55 |
| Presse à insert / Liner press | H52 033 | | Préhenseur de cotyle Ø55-56 cup impaction tip | H52 2257 | H52 P57 |
| Vis de presse à insert / Liner press screw | H52 030 | | Préhenseur de cotyle Ø57-58 cup impaction tip | H52 2259 | H52 P59 |
| Centreur de tête / Femoral head centralizer | H52 031 | | Préhenseur de cotyle Ø59-60 cup impaction tip | H52 2261 | H52 P61 |
| Embout poussoir d'insert / Liner pusher tip | H52 035 | | Préhenseur de cotyle Ø62-63 cup impaction tip | H52 2263 | H52 P63 |
| Réducteur d'essai Ø22.2 trial insert adaptor | H52 2228 | | Cotyle d'essai Ø44 trial cup | | H03 0244 |
| Manche impacteur M10 Impaction shaft | H03 036 | | Cotyle d'essai Ø46 trial cup | | H03 0246 |
| Embout poussoir de cupule / Cup impaction tip | H03 037 | | Cotyle d'essai Ø48 trial cup | | H03 0248 |
| Sphère d'impaction / Impaction spherical tip | H62 005 | | Cotyle d'essai Ø50 trial cup | | H03 0250 |
| Insert d'essai Ø 22/44-45 trial liner | H52 M2245 | | Cotyle d'essai Ø52 trial cup | | H03 0252 |
| Insert d'essai Ø 28/46-47 trial liner | H52 M2847 | | Cotyle d'essai Ø54 trial cup | | H03 0254 |
| Insert d'essai Ø 28/48-49 trial liner | H52 M2849 | | Cotyle d'essai Ø56 trial cup | | H03 0256 |
| Insert d'essai Ø 28/50-51 trial liner | H52 M2851 | | Cotyle d'essai Ø58 trial cup | | H03 0258 |
| Insert d'essai Ø 28/52-53 trial liner | H52 M2853 | | Cotyle d'essai Ø60 trial cup | | H03 0260 |
| Insert d'essai Ø 28/54-55 trial liner | H52 M2855 | | Cotyle d'essai Ø62 trial cup | | H03 0262 |
| Insert d'essai Ø 28/56-57 trial liner | H52 M2857 | | | | |
| Insert d'essai Ø 28/58-59 trial liner | H52 M2859 | | | | |
| Insert d'essai Ø 28/60-61 trial liner | H52 M2861 | | | | |
| Insert d'essai Ø 28/62-63 trial liner | H52 M2863 | | | | |
| Préhenseur de cotyle Ø44-45 cup impaction tip | H52 2245 | H52 P45 | | | |

| Options | Réf. Cat N° |
|---|----------------|
| Tige d'orientation Ø12 Orientation axis (Tommy bar) | H03 007 |
| Instrum. fraises à cotyle / Grater Reamer set | H03 9100 |



Mentions légales :
 Les implants CAPTIV DM sont des dispositifs médicaux implantables de classe III indiqués pour les arthroplasties primaires totales (PTH) de la hanche.
 Les implants CAPTIV DM sont pris en charge par l'assurance maladie.
 Le chirurgien est expressément invité à lire attentivement les instructions mentionnées sur la notice d'utilisation incluse dans le conditionnement du DMI, ainsi que le manuel de technique opératoire délivré à la mise en place du produit ou disponible en téléchargement sur le site www.evolutisfrance.com.

Materials / Matériaux :
 Cups: High Nitrogen content Stainless Steel according ISO 5832-9 with T40 and calcium hydroxyapatite coatings
 Polyethylene liners: UHMWPE according ISO 5834-1 & 2 moderately crosslinked
 Packaging: Sterilized under Gamma irradiation, VacUpac packaging
 Cupules : Acier Inoxydable à haute teneur en azote selon ISO 5832-9 revêtu T40 et Hydroxyapatite de Calcium
 Inserts polyéthylène : UHMWPE selon ISO 5834-1 et 2 modérément réticulé
 Conditionnement : Stérilisé sous rayonnement Gamma, conditionnement VacUpac

CE Evolutis
 Avenue de la Libération, 42720 Briennon, France
 0086 Tel : +33. (0)477.60.79.99 – Fax : +33. (0)477.60.79.90



www.evolutisfrance.com



COVISION
ORTHOPAEDICS

SUPERICA Medial-Pivot Knee System
Surgical Technique



Contents

| | |
|----------------------------|---------|
| Introduction | 3 - 5 |
| Intended Use | 6 |
| Surgical Technique..... | 7 - 19 |
| Technique Overview | 20 |
| Ordering Information | 21 - 29 |

Introduction

Why set out to design a better knee system? Today, according to the latest literature, nearly 20% of all patients are unhappy with their total knee replacement due to residual pain, functional issues and early implant failure.

Superica Knee System is designed to answer the limitations of traditional implants by delivering superior flexion stability, anatomic motion, and wear-limiting design characteristics.

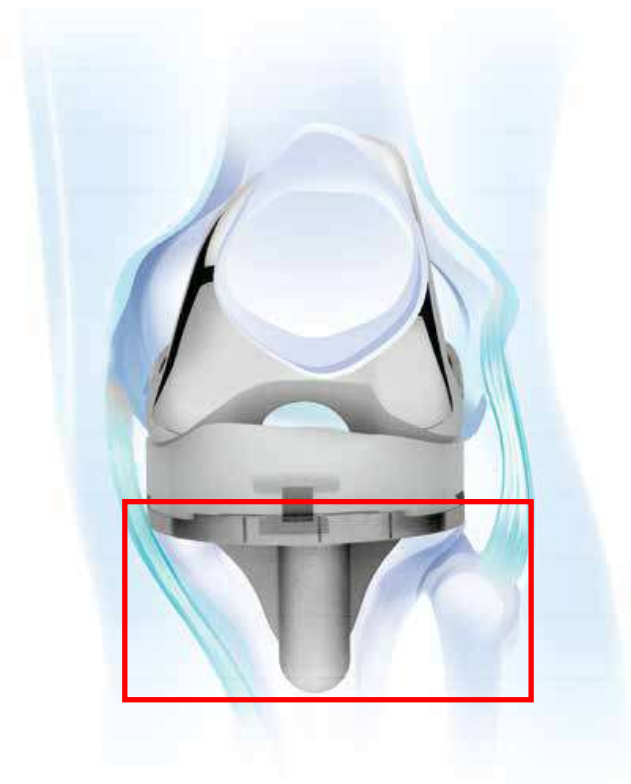
Stable Motion, Normal Function, Natural Feel

The Medial-Pivot Knee is uniquely engineered to reproduce a healthy knee's stability and motion. With a stable, pivoting medial side and a lateral side that rolls forward or backward throughout flexion, the SUPERICA MEDIAL PIVOT Knee System is designed to feel and function like a natural knee.

ACL-PCL Substituting

High Conformity, Constant Radius, Unique Design.

The Medial-Pivot Knee features a highly conforming medial side that results from a constant radius design. Reproducing the natural function and stability of the ACL and PCL, this design is unique from every other less conforming traditional knee system. It gives the MedialPivot Knee natural motion, so it feels more like a normal knee.



Introduction

High Conformity

High Conforming Articulations, Stable Range of Motion, Fewer Revisions.

It is routine for patients to complain of instability following a traditional knee replacement. Studies also clearly show instability to be the leading cause of early revisions. By delivering a more secure, highly conforming articulation, the Supera Knee System provides the kind of stability throughout the range of motion that patients seek.

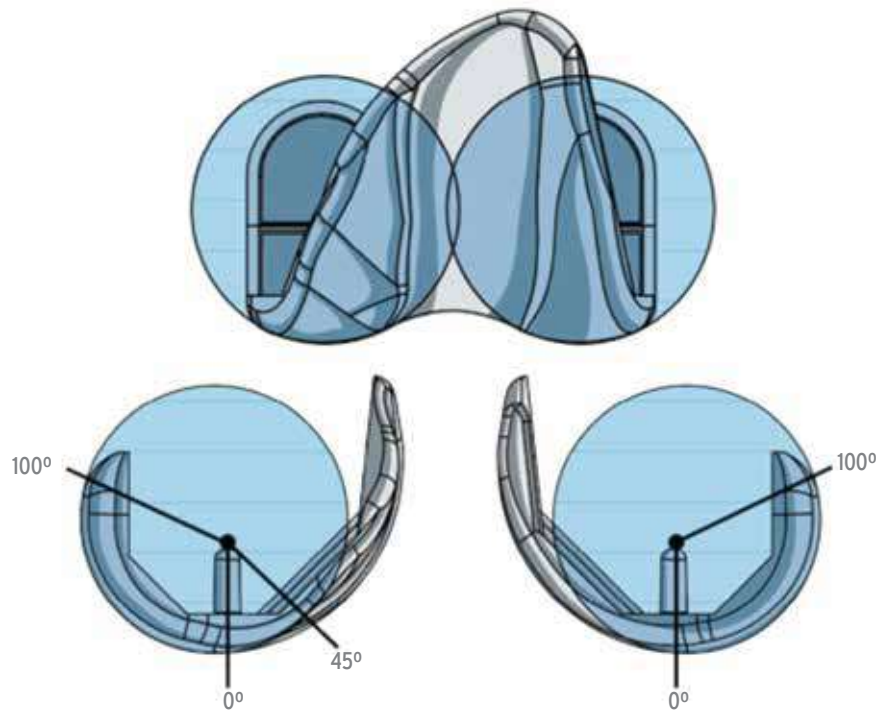
Constant Radius

Natural Biomechanics, Anterior-Posterior Stability.

With a constant radius design, the new Knee System gives patients a more stable feeling and more normal biomechanics.

The constant radius in both the coronal and sagittal planes is uniquely designed to mimic the movement of the natural knee. This is a significant benefit over traditional multi-radius implants, which are typically less stable and fail to deliver the same natural feeling to the patient.

With a constant radius femoral component featuring a highly congruent tibial insert, the new Knee System also delivers superior stability in mid-flexion and prevents anterior-posterior translation. The simple result is that the Supera constant radius knee design has been documented in literature to achieve higher clinical function than competitive multi-radius designs.



Only knee design with spherical geometry in both sagittal and coronal planes.

Introduction

Feels Normal, Behaves Naturally, Functions Like the Human Knee.

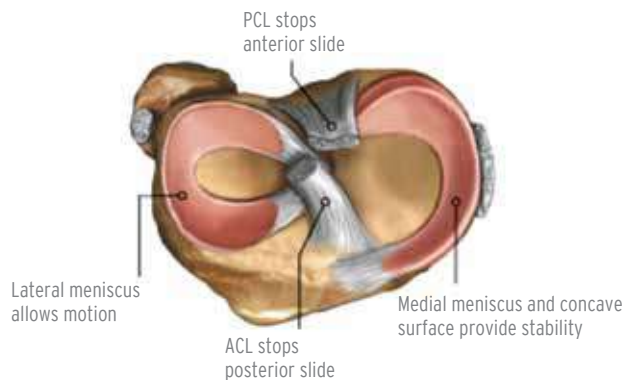
With the increasingly active lives of patients today, they have come to demand and expect an implant that feels normal and behaves naturally. The Superica MEDIAL PIVOT Knee System has uniquely designed structures, contours and movements that look, feel and function like the human knee. This is in stark contrast to traditional knee replacements that do not possess design features similar to the human knee, and thus do not reproduce performance that feels like a natural knee.

Equally important and essential to a normal feeling replacement is the Superica Knee System global sizing profile. It helps assure a more natural fit that promotes normal feeling functionality and higher quality of life.

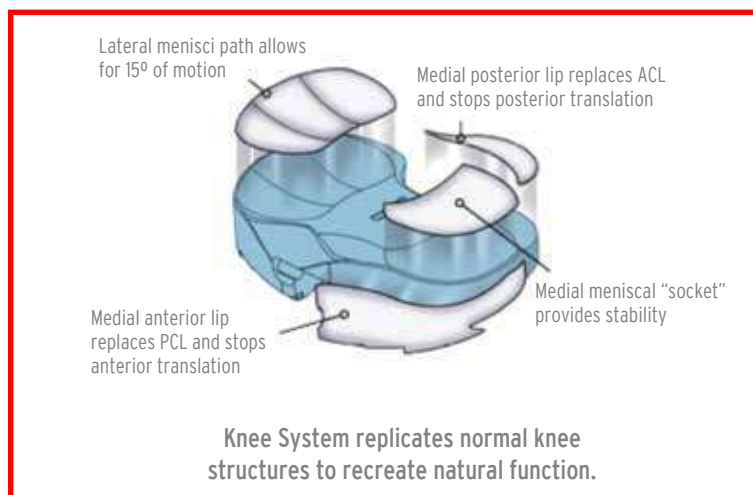
Replicates ACL and PCL, Preferred Over All Other Designs, More Natural Feeling.

One reason patients can tell the difference between their natural knee and a replacement is soft tissue. One study found that our Medial-Pivot design, which effectively substitutes for the ACL and PCL, is strongly preferred over all other designs (CR, PS, and Mobile-Bearing).²

The Superica tibial insert features a high anterior and posterior lip which substitutes for both cruciate ligaments and delivers a more normal feeling for the patient. The result is a more natural feeling for patients that increases proprioception.



Anatomic structure of the normal knee.



Knee System replicates normal knee structures to recreate natural function.

Intended Use

SUPERICA MEDIAL PIVOT instrumentation is designed to be applicable to both less-invasive and standard total knee procedures. Therefore, surgeons should employ the technique they are most comfortable with; be it medial parapatellar, subvastus or midvastus. With the SUPERICA MEDIAL PIVOT instrumentation, the preparation of the femur and tibia can be performed independently. This choice is left to the surgeon's discretion.

Indications

COVISION Total Knee Systems are indicated for use in knee arthroplasty in skeletally mature patients with the following conditions:

1. noninflammatory degenerative joint disease including osteoarthritis, traumatic arthritis, or avascular necrosis;
2. inflammatory degenerative joint disease including rheumatoid arthritis;
3. correction of functional deformity;
4. revision procedures where other treatments or devices have failed; and treatment of fractures that are unmanageable using other techniques.

SUPERICA Medial-Pivot Tibial Base and Insert Components are for use with bone cement.



Surgical Technique

Proper surgical procedures and techniques are ultimately the responsibility of the operating medical professionals. The following guidelines are furnished for informational purposes only and relate specifically to the use of the SUPERICA Total Knee Prosthesis instruments and trials by Covision. Each surgeon must evaluate the appropriateness of the information provided based on his or her personal training and experience.

1. Distal Femoral Resection

Initiate an opening in the femoral canal with the 9.5mm (3/8") diameter drill bit. The hole may be placed slightly medial and anterior to the intercondylar notch. Insert the fluted IM reamer/rod into the femoral canal, being sure to irrigate and aspirate several times to reduce the chance of a fat embolus. Turn the reamer during insertion with the T-handle. FIGURE 1-2

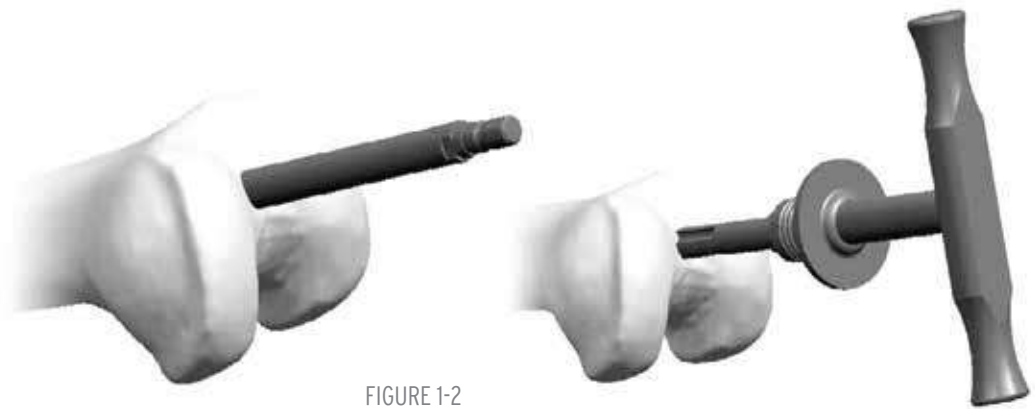


FIGURE 1-2

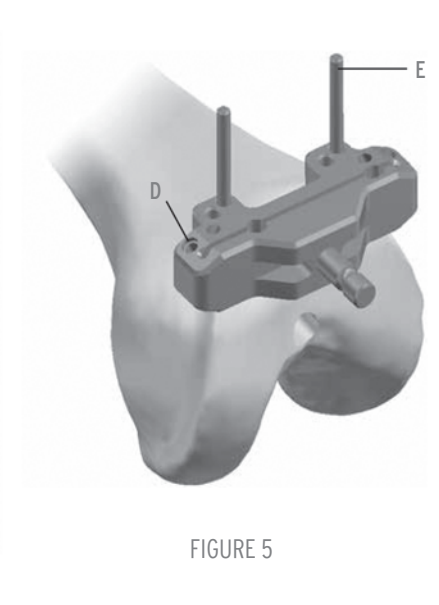
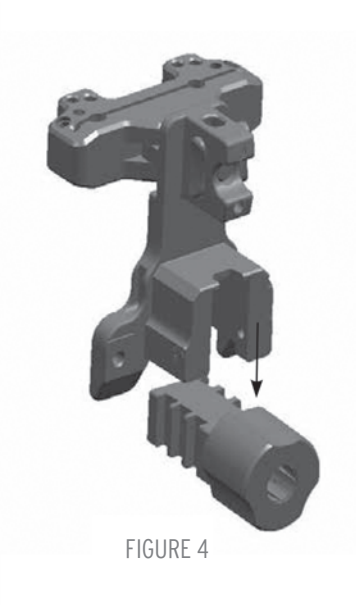
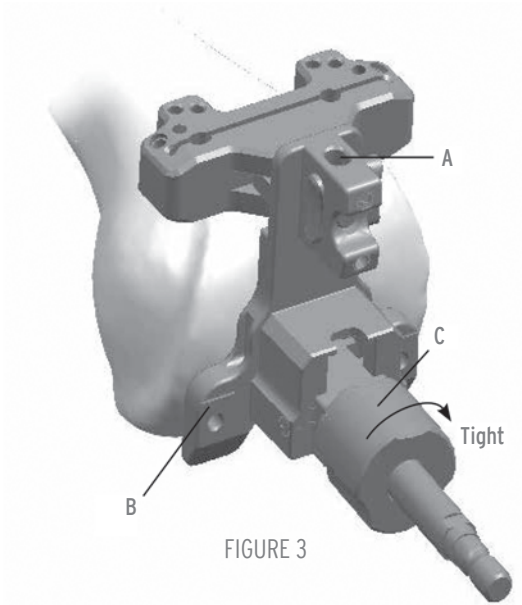
Distal resection blocks are available in 9mm, 11mm, and 13mm. Load the appropriate distal resection block onto the distal resection paddle and lock them together by sliding the locking button to the right (FIGURE 3).

Insert the distal resection paddle onto the valgus bushing. The valgus bushing has both a "Left" and "Right" side, and has three slots which allow 3°, 5°, or 7° of valgus. Ensure the "Left" side of the bushing is superior for a left knee and the "Right" side is superior for a right knee. Slide the valgus alignment bushing down the IM rod until the distal resection paddle rests against the unresected prominent distal condyle. Although rotation is not critical at this step, the distal resection paddle features two lines which may be aligned with the epicondyles. | B in FIGURE 3 Lock the valgus alignment bushing to the rod by turning the knurled knob until it is tight. The knurled knob is highly geared. Only 1/4 turn allows to lock the jig rod. | C in FIGURE 3.

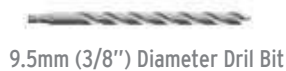
Pin the block to the anterior cortex with two headless pins through the "Std" holes. Additional fixation pins may be added through the divergent holes. | D in FIGURE 4 Slide left the locking button to detach the resection block and remove the IM rod, distal resection paddle and valgus bushing.



Surgical Technique



Related Instruments:



Re-cutting the Distal Femur

Insert the fluted IM reamer/rod into the femoral canal with the help of the T-handle . Load a distal resection block (available in 9mm, 11mm and 13mm) onto the distal resection paddle and lock them together. Insert the distal resection paddle onto the valgus bushing. Slide the 7mm distal spacer against the interior face of the distal resection paddle until it clicks. | A in When utilized, the distal spacer will reduce the distal resection made by 7mm. (For example, it will allow a 2mm distal resection when used with the 9mm distal resection guide.) Slide the reamer into the intramedullary canal until the distal spacer contacts the distal femur. Pin the resection block in place with two headless pins . Slide left the locking mechanism to detach the resection block and remove the IM rod, distal resection paddle and valgus bushing. Perform the distal re-cut.

Surgical Technique

2. Femoral Sizing and Rotation

NOTE: The caliper must be set for the appropriate knee. For example: If used on a right knee, the "Right" marking must be facing the observer and the "Left" marking should be against the bone. To set the caliper for the opposite knee, remove the posterior feet, rotate the caliper and reinsert the feet.

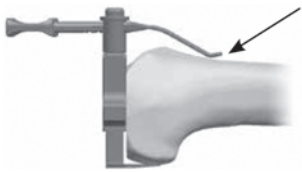
Place the sizing caliper flush against the resected distal femur. Adjust the sizer so the posterior feet rest against the posterior condyles. The stylus should be pushed proximally until it "clicks". Each click represents one femoral size. The stylus should be pushed until the number of clicks equals the suspected femoral size.

The stylus size markings are read at the point where the stylus enters the back of the stylus holder. | A in FIGURE 6. The tip of the stylus should touch the most prominent aspect of the anterior cortex just proximal to the lateral anterior condyle. While performing this check, pay attention to not push on the caliper.

The femoral size is read through the windows in the anterior face of the sizing caliper. The resection block preparation holes are drilled through the 3° holes with the 3.2 mm (1/8") drill bit which features a collar at the correct depth. | FIGURE 7 This sets 3° of external rotation relative to the posterior condylar axis.

In the severe varus or valgus knee, the posterior condylar axis may not be a reliable reference for femoral rotation. Instead rotation may be set visually referencing the epicondylar line. If rotation must be set visually, the caliper features a central window with crosshairs. Remove the posterior feet and, with the caliper resting on the distal resection, the crosshair window should be aligned to the epicondylar line. | FIGURE 8 Once aligned, the peg holes are drilled through the 0° holes. Once holes are drilled, remove the sizing caliper and stylus assembly.

Precision Pointer



Make sure the caliper rests flat on the distal surface

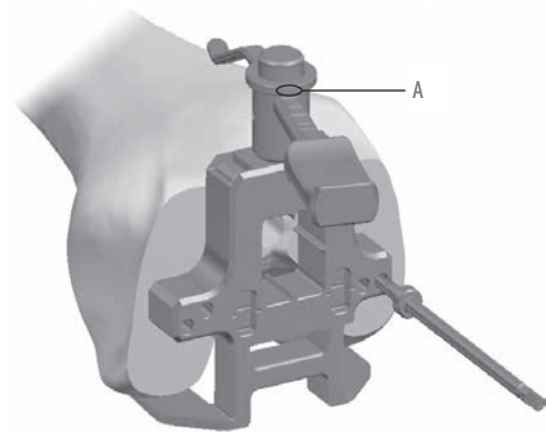


FIGURE 6



FIGURE 7



FIGURE 8

Related Instruments:



Sizing Caliper



3.2mm (1/8") Drill Bit



Sizing Stylus

3. Anterior and Posterior Resections

NOTE: Take care to protect the collateral ligaments during resections.

Select the femoral resection block corresponding to the size indicated by the sizing caliper. If the femoral size is found to be between sizes, the bigger size should be utilized, since this choice will not jeopardize the option of downsizing. Place the pegs on the back of the femoral resection block into the holes drilled through the sizing caliper.

The femoral resection blocks may be used to double-check the femoral size. The distance between the pin outriggers on the sides of the block is the same width as the corresponding femoral component. | FIGURE 9 To confirm A/P size, an 8mm posterior resection gauge is available. It has the same thickness as the posterior condyles of sizes 1 through 5. When placed in the posterior slot of the resection block it is possible to determine if the proper amount of posterior condyle will be resected. | FIGURE 9 To check the risk of anterior notching the dual reference gauge should always be used. If it appears too much or too little of the posterior condyles are being removed or there will be anterior notching, a 2mm re-drill guide is available. | FIGURE 10 This allows the block peg holes to be re-drilled 2mm above or below the existing holes. To utilize the guide, remove the femoral resection block and place the re-drill guide in the existing holes. While maintaining pressure on the guide, re-drill through the appropriate holes and re-insert the femoral resection block in the new drilled holes. These holes do not have to be in the same location as the final implant pegs, which will be prepared with the femoral trials.

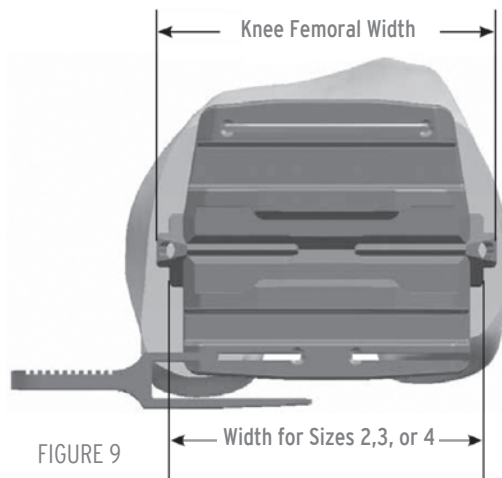


FIGURE 9

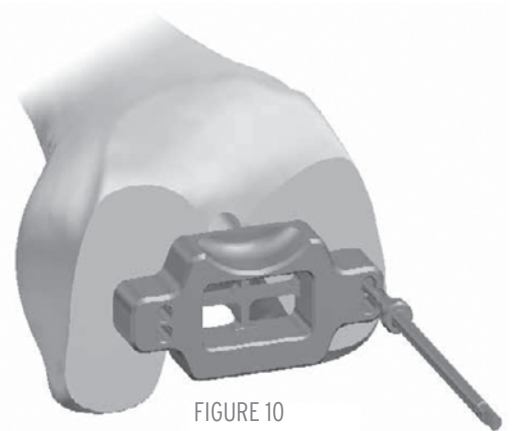


FIGURE 10

Stabilize the resection block against the bone using 3.2mm (1/8") diameter pins on the medial and lateral sides of the block. The tightening of the pins should be completed by using the T-handle in combination with the threaded pin driver.

The resection is then performed in this recommended order: anterior cut (1), then the posterior cut (2) followed by the posterior chamfer (3) and ending with the anterior chamfer (4). | FIGURE 11

NOTE: A narrow saw blade must be used for the chamfer resections.

After resections have been made, the pins are withdrawn. Assemble the resection block/femoral trial extractor on the slaphammer and slide it on the resection block for extraction. | FIGURE 12



Surgical Technique

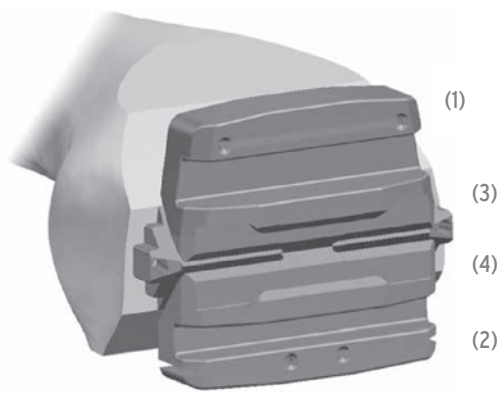


FIGURE 11

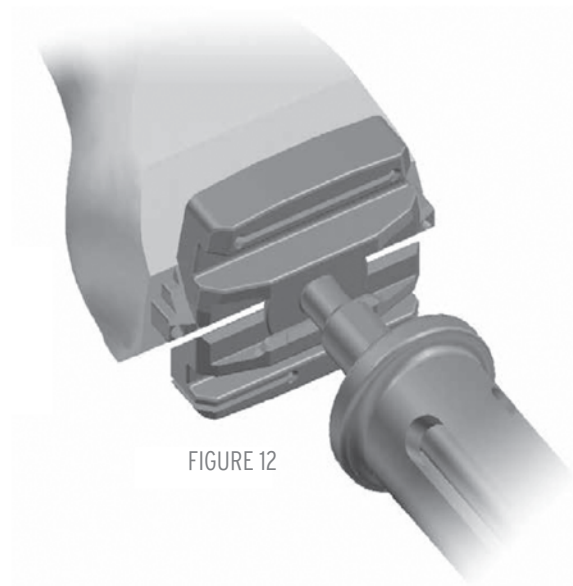


FIGURE 12

Related Instruments:



Femoral Resection Block



Dual Reference Gauge



Resection Gauge



2mm Re-drill guide



Threaded Pin Driver



T-handle Reamer



Slaphammer



3.2mm (1/8") Diameter Pins



Resection Block/Femoral Trial Extractor

In case it is determined a femoral downsizing is necessary for a proper balancing, position on existing holes a smaller femoral resection block than the one previously used.

SUPERICA femoral components are designed to maintain a common distance from stabilizer pegs to the anterior flange resection. Therefore you don't have to re-cut through the anterior slot.

Stabilize the resection block against the bone using 3.2mm (1/8") diameter pins on the medial and lateral sides of the block. Proceed with the resection of the posterior cut, followed by the posterior and anterior chamfer, as described in the "Anterior and Posterior Resections" chapter. |

Surgical Technique

4. Trochlear Groove Resection

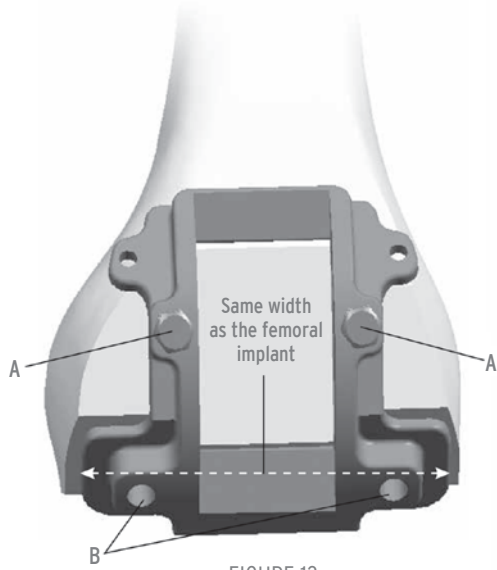


FIGURE 13

Select the trochlear groove resection block corresponding to the size indicated by the sizing caliper. Place the trochlear groove resection block on the femur. | FIGURE 13 The width of the block is the same M/L width as the femoral implant and dictates the final implant location. If the trochlear groove resection block is indicating an overhanging, you'll need to switch to the corresponding SUPERICA notch block specific trochlear groove resection block. | FIGURE 14

Some surgeons place the guide along the lateral edge of the femur to reproduce the natural Q-angle. Stabilize the trochlear groove resection block against the bone using 3.2mm (1/8") pins before resection. | A in FIGURE 14 The trochlear groove should be resected by using a 12.7mm (1/2") sawblade on the angled surface and along the sides of the central portion of the block. If your flexion/extension balance is correct, you can proceed with the preparation of the peg holes for the femoral implant. Using the 4.8mm (3/16") drill bits drill through the distal holes of the trochlear groove resection block. B in | FIGURE 14

NOTE: The peg holes for the implant can also be prepared during the femoral trialing step. If the flexion/extension balance has not been properly achieved at this stage and a femoral re-cut is necessary, the femoral resection block cannot be re-mounted onto the femur due to the 3.2 mm (1/8") pegs on the back of the blocks once the 4.8mm (3/16") peg holes have been drilled.

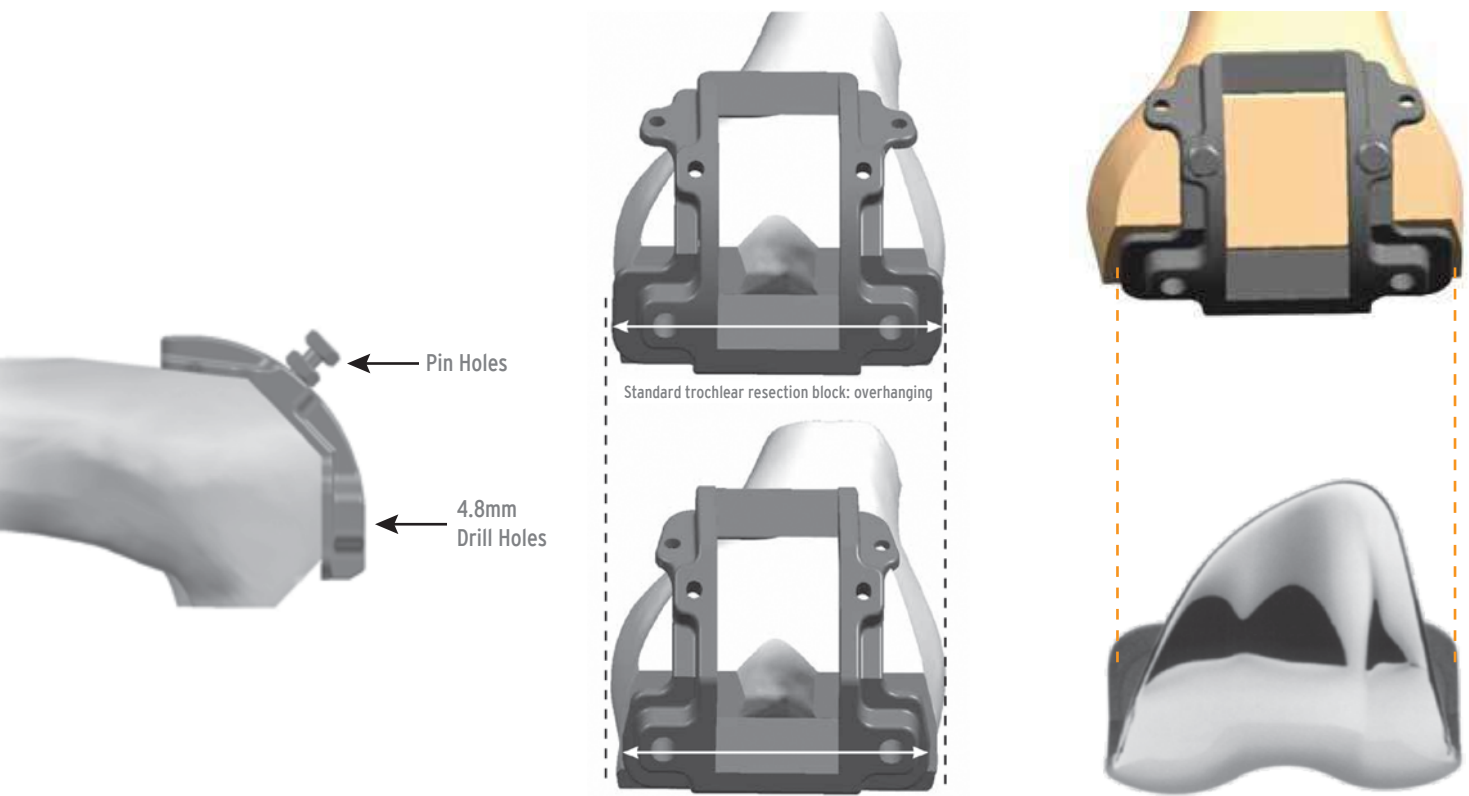


FIGURE 14

Related Instruments:



Trochlear Groove Resection Block



3.2mm (1/8") Diameter Pins



4.8mm (3/16") Drill Bit

Surgical Technique

Extramedullary Tibial Resection

Position the ankle clamp of the extramedullary (EM) tibial resection guide against the lower leg just proximal to the malleoli. | FIGURE 15 In case a more stable initial fixation is required, the EM tibial resection guide can be assembled using the spiked component. Slide the appropriate left or right tibial resection guide onto the guide and adjust the guide until the resection slot is located a few millimeters below the lowest articular surface. | FIGURE 15 When the vertical axis of the guide is parallel to the mechanical tibial axis, it is positioned for a 3° posterior sloped resection. Attach the external alignment guide and slide the alignment rod through the appropriate TL or TR (Tibia Left or Tibia Right) hole. If the rod is parallel to the tibia, 3° slope is confirmed. | FIGURE 16

Drop the 2mm/10mm stylus into one of the holes on the resection guide and turn the resection guide adjustment knob | A in FIGURE 16 until the proper resection is found. | FIGURE 16 Generally the stylus is set to resect 2mm from the most deficient side and/or 10mm from the most prominent. Pin the resection guide to the proximal tibia through the "std" holes. The alignment guide and rod can be used to check alignment to the ankle. If the resection guide is detached, it can be moved distally 2mm if headless pins are used. Use of a divergent pin is recommended to prevent the resection block from vibrating off the pins during resections. | B in FIGURE 16



FIGURE 15

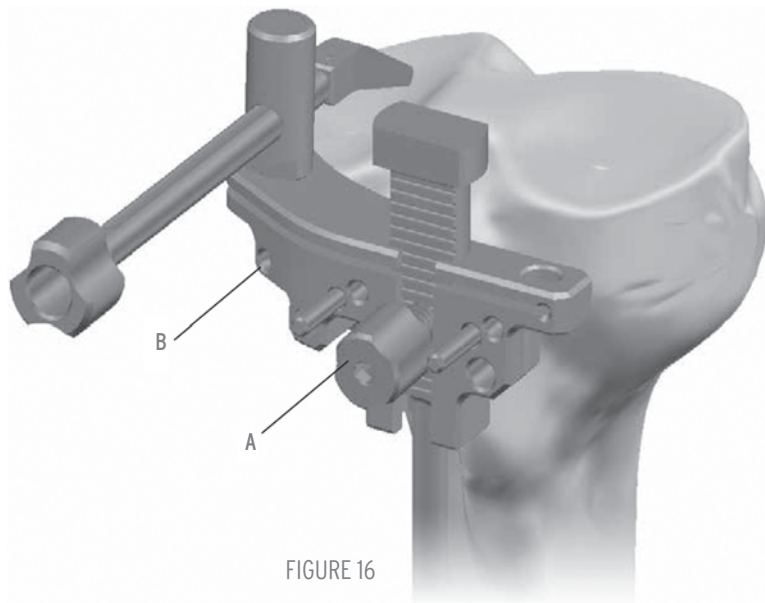


FIGURE 16

The correct height of the cut is determined based on preoperative x-ray templating and intraoperative status of the ligaments. A stylus is also available to help in determining the resection level. Drop the stylus into the resection guide hole: the stylus is set to resect 2mm from the most deficient side when it is positioned with the 0mm arm towards the tibial plateaux. It also features a 10mm arm which can be used to check the most prominent side. | FIGURE 17

Set the guide to the 0mm position to start. The height of the cut can be further fine tuned by turning the proximal knob of the guide. | A in FIGURE 18 By rotating the knob clockwise, the guide moves down.

For a proper stabilization of the guide, the spiked fixator can also be used. | FIGURE 19

Surgical Technique



FIGURE 17

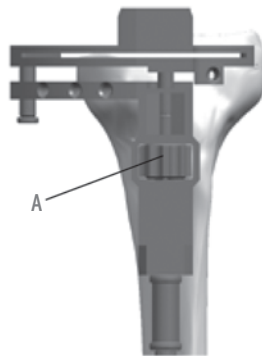


FIGURE 18



FIGURE 19

Intramedullary Tibial Resection (Optional)

The 9.5mm (3/8") drill bit is used to penetrate the proximal tibia just posterior to the tibial ACL footprint. Insert the fluted IM reamer/rod into the tibial canal with the help of the T-handle. | FIGURE 20 Irrigate and aspirate several times to reduce the chance of a fat embolus. The reamer/rod should be inserted to at least the mid isthmus. Slide the tibial alignment guide onto the IM reamer/rod and insert the appropriate tibial resection guide. | FIGURE 21 Turn the locking screw to lock the guide to the IM reamer/rod. | A in FIGURE 21 Use of a divergent pin is recommended to prevent the resection block from vibrating off the pins during resections. | B in FIGURE 21



FIGURE 20

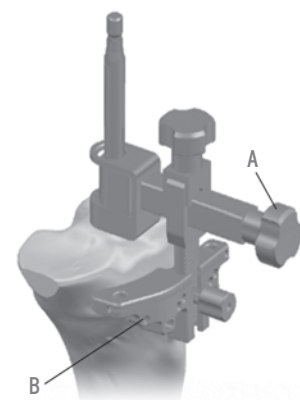


FIGURE 21

Surgical Technique

Drop the 2mm/10mm stylus into one of the holes on the resection guide to set the desired level of tibial resection. | A in FIGURE 22 Generally the stylus is set to resect 2mm from the most deficient side and/or 10mm from the most prominent. Pin the resection guide to the proximal tibia through the "std" holes. Before inserting a divergent pin, loosen the A/P adjustment knob and move the resection guide as close as possible to the tibia. | B in FIGURE 22 To detach the guide, loosen the resection guide knob | C in FIGURE 22 and extract the IM reamer/rod and alignment guide together. When the resection guide is detached from the guide, the block can be moved 2 mm distally if headless pins are used. Varus/valgus angulation can be checked to the ankle using the external alignment guide and rod . | FIGURE 23

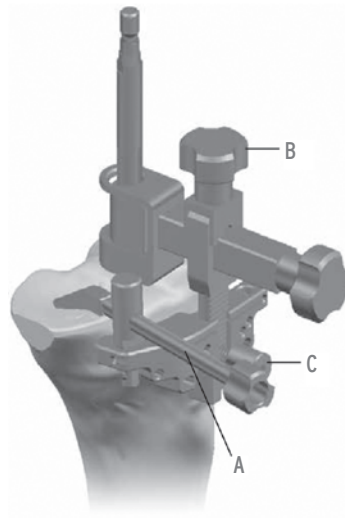


FIGURE 22

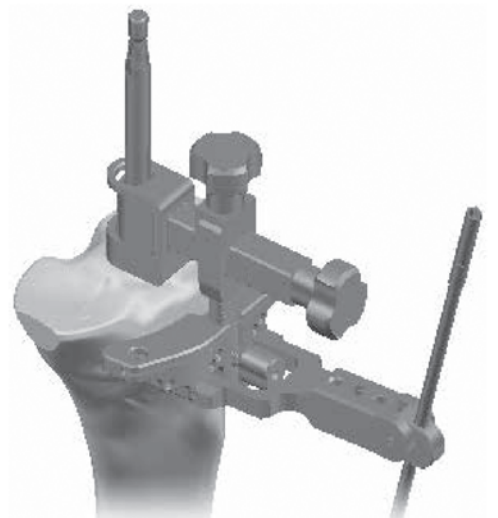


FIGURE 23

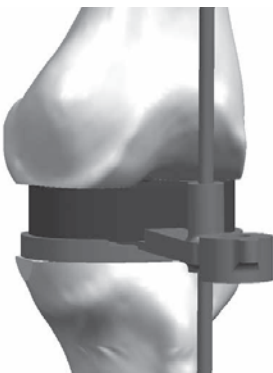


FIGURE 24

Extension Gap Measurement

The extension gaps are measured following the tibial and the distal femoral resections. Select the appropriate tibial base and mount it on the tibial base handle . With the knee fully extended, insert the 10mm spacer block into the space between the femur and tibia. If the spacer block does not fit in extension additional bone resection might be required . Use progressively thicker spacer blocks until the appropriate tension is obtained. Slide the external alignment rod through the hole to check alignment. FIGURE 24 If the 10mm spacer block does not fit, use the minus 2mm spacer block to determine the amount of additional bone resection required to achieve full extension.

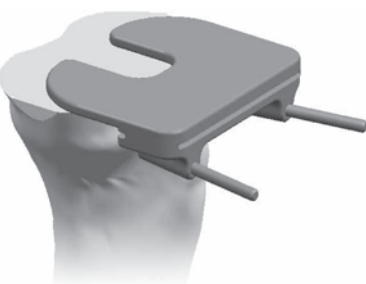


FIGURE 25

2mm Resection Guide

The 2mm resection guide is generally employed for use on the distal femoral and proximal tibial resections. To position the guide, place the anterior wings on the resected surface with the resection slot abutting the edge of the surface. | FIGURE 25 Two divergent pin holes are available for fixation.

Surgical Technique

6. Tibial Sizing and Trial Reduction



FIGURE 26

Care should be taken to ensure the tibial plateau is completely flat after the resection is made. A tibial base trial can be used to check the flatness of the surface.

NOTE: In all SUPERICA Total Knee Inserts, the tibial insert size must match the femoral implant size. There are two tibial base sizes that can be used with any one size femoral component. For example a size 3 femoral implant can be used with either a size 3 or 3+ tibial base. |table 1

| Femur | Insert | Tibia |
|-------|--------|---------|
| 1 | 1 | 1 or 1+ |
| 2 | 2 | 2 or 2+ |
| 3 | 3 | 3 or 3+ |
| 4 | 4 | 4 or 4+ |
| 5 | 5 | 5 or 5+ |

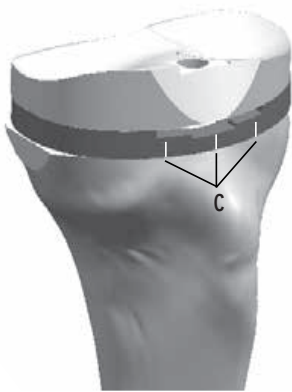
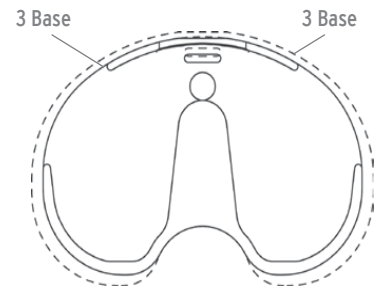


FIGURE 27

Assemble the appropriate trial tibial base to the trial base handle. The trial base is then placed onto the resected surface of the tibia and properly aligned (generally to the medial onethird of the tibial tubercle) to check overall coverage. If the tibial trial base size is too small, a "plus size" will provide additional tibial coverage. Place the appropriate size femoral trial on the distal femur using the femoral holder/driver. Insert the trial insert of appropriate size and thickness onto the trial base. If not done during the patella preparation, prepare the patellar peg holes, as described in the Patella Preparation chapter. Place the selected trial patella in place and complete the trial reduction. With the trial implants in place, perform an evaluation of the full range of motion to determine the final implant position. | FIGURE 26 If the final implant position is decided, the lines on the anterior portion of the tibial base can be used for marking the tibia to aid with alignment of the tibial base component during final implantation. | C in FIGURE 27

Reposition the tibial base trial and pin it to the tibia using short head anchoring pins through the anterolateral and posteromedial holes. | A in FIGURE 28 The alignment rod can be inserted through the handle to check alignment to the ankle. | B in FIGURE 28

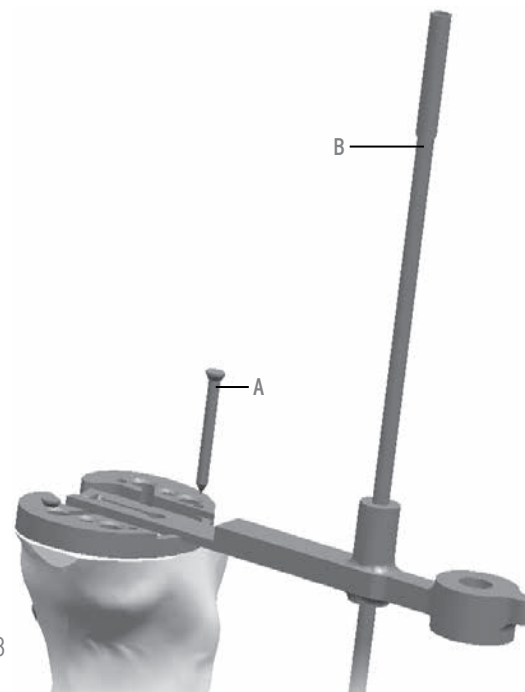


FIGURE 28

Surgical Technique

Table 2 | Instrument Sizing Matrix

| Tibial Base Trial | Reamer | Keel Punches |
|-------------------|--------|----------------|
| Size 1 | Line 1 | Size 1/1+/2 |
| Size 1+/2 | Line 1 | Size 1/1+/2 |
| Size 2+/3 | Line 2 | Size 2+/3/3+/4 |
| Size 3+/4 | Line 2 | Size 2+/3/3+/4 |
| Size 4+/5 | Line 3 | Size 4+/5/5+ |
| Size 5+ | Line 3 | Size 4+/5/5+ |

Table 2 should be used to determine the sizing compatibility of the instrumentation.

Attach the keel punch guide to the keel punch handle and secure it to the trial base by turning the knurled handle. | FIGURE 29 Using the threaded punch handle and appropriate press fit keel punch, plunge through the guide until the punch is fully seated and the punch collar is level with the edge of the guide. | A in FIGURE 30

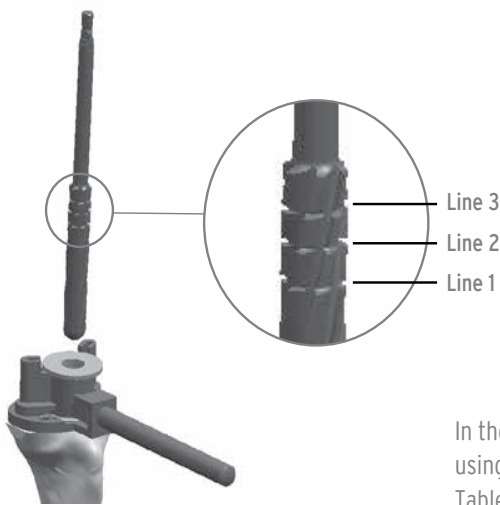


FIGURE 31



FIGURE 29

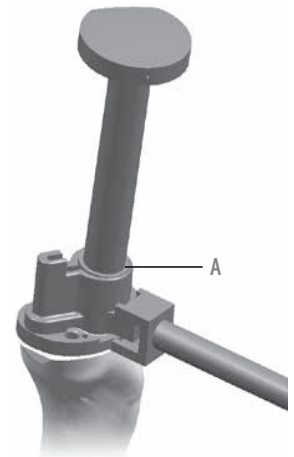
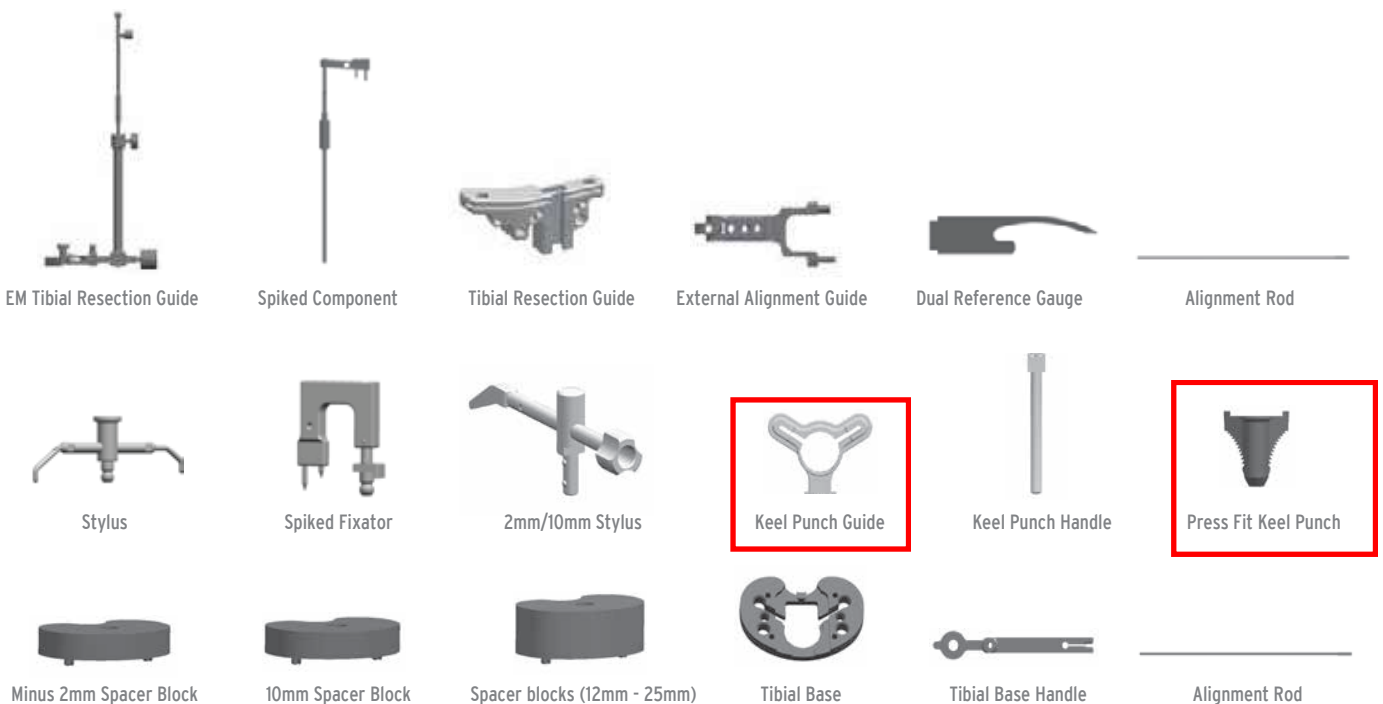


FIGURE 30

In the event of hard tibial bone, before punching, prepare the entry hole for the tibial stem using the 15 mm drill guide and the press fit reamer. | FIGURE 31 Referring to | FIGURE 31 and Table 2, ream through the drill guide to the appropriate line indicated on the reamer.

Related Instruments:



Surgical Technique

7. Implants Insertion

Tibial Base Insertion

The tibial bone bed is cleaned and bone cement is prepared and introduced according to standard recommendations. The inserter/extractor is utilized to implant the base by engaging the insert locking dovetail and impacting with a mallet until fully seated on bone. The monolithic tibial impactor can also be used to seat the tibial base. FIGURE 32

Optional: After the base has been inserted, the appropriate trial tibial insert can be used to recheck ligament and soft tissue balancing. | FIGURE 33 An additional trial insert pin may be placed through the trial insert into tibial base implant to provide a more secure construct during final assessment of joint stability. | A in FIGURE 33

NOTE: The trial insert only engages the central locking detail and a gap will be Present along the anterior periphery of the insert. | B in FIGURE 33



FIGURE 32

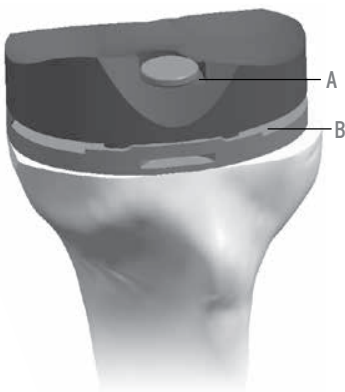


FIGURE 33

Tibial Insert Insertion

Initial seating is accomplished by pushing the insert as far posterior as possible with hand pressure, paying special attention to engage the central dovetail and posterior captures of the tibial base. For final seating of the insert, two options are available. The 45° insert impactor may be utilized by placing the impactor tip in the anterior slot of the tibial insert. | FIGURES 34-35 and 38 The impactor handle should be at an angle slightly greater than 45°. Keeping the impactor tip in the slot, decrease the angle of the impactor handle until the tip is felt to impinge within the slot. This should be approximately 45°. While maintaining this 45° angle relative to the tibial base, apply several strong mallet blows directing the insert posteriorly. After the anterior edge of the insert has been pushed past the anterior capture of the tibial base, it will automatically drop behind the anterior capture and the insert face will be flush against the surface of the tibial base. | FIGURE 36



FIGURE 34



FIGURE 35



FIGURE 36



FIGURE 37

Femoral Component Insertion

The femoral bone bed is cleaned and bone cement is prepared and introduced according to standard recommendations. The femoral impactor is utilized for final seating of the femoral component. | FIGURE 37

Surgical Technique

Patella Option

NOTE: Instead of utilizing a clamp for patellar resection some surgeons prefer a non-instrumented technique.

With the leg extended, the patella is tilted to almost a 90° angle. The thickness of the patella is measured with the patella sizing caliper. The 8mm resection depth gauge is attached to the top of the resection guide with the lock screw. | A in FIGURE 38 Position the resection guide jaws parallel to the articular margin and securely clamp the guide to the bone; ensuring the gauge is contacting the apex of the articular surface. Remove the gauge and locking screw and make the patellar resection. The amount of bone to be resected is determined by trying to replicate with the patellar implant the thickness of the original patella and leaving at least 12mm of bone. | FIGURE 39

NOTE: The patellar peg holes may also be prepared after the tibial and femoral resections.

After having removed the resection guide, attach the appropriate drill guide to the patellar clamp. | A in FIGURE 40 The drill guides have grooves on their surfaces indicating the patellar diameter options. The appropriate tri-peg or central peg reamer is used to prepare the peg hole(s).

NOTE: The tri-peg spherical patellae have the same peg patterns between sizes and can be easily changed during trial reduction.

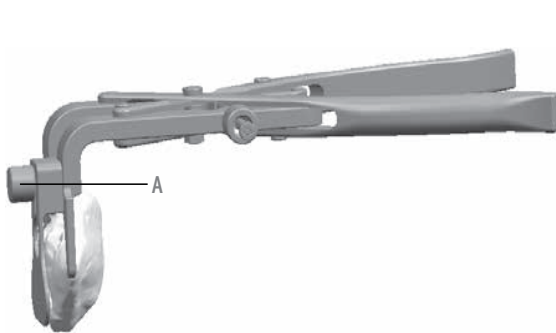


FIGURE 38



FIGURE 39

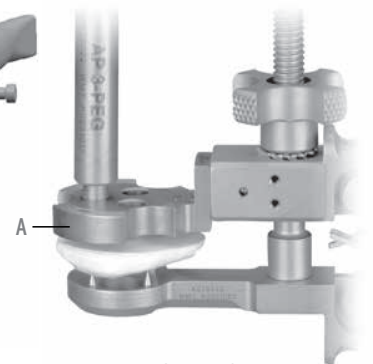


FIGURE 40

Related Instruments:



Postoperative Management

Postoperative care is the responsibility of the medical professional.



Technique Overview



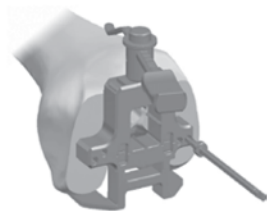
1. Distal Femur Preparation



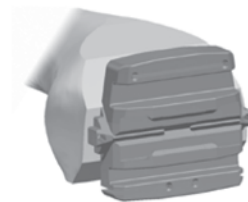
2a. Extramedullary Tibial Preparation



2b. Intramedullary Tibial Preparation



3. Femoral Sizing



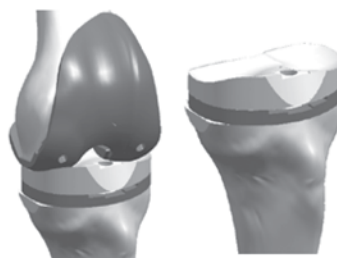
4. Femoral Resections



5. Flexion Gap Measurement



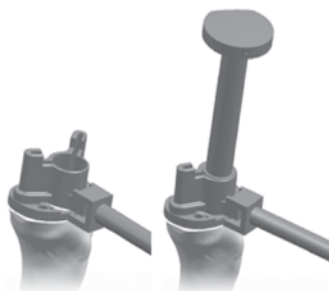
6. Trochlear Groove Resection



7. Tibial Sizing and Trial Reduction



8. Femoral Preparation



9. Keel Preparation



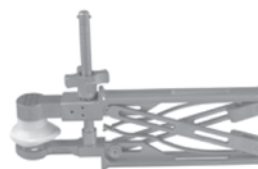
10. Tibial Base Insertion



11. Tibial Insert Insertion



12. Femoral Component Insertion



13. Patella Component Insertion

Ordering Information

Superica Cemented Femoral Components (CoCr)

| Code | Size |
|---------|--------------|
| 65.5001 | Left Size 1 |
| 65.5002 | Left Size 2 |
| 65.5003 | Left Size 3 |
| 65.5004 | Left Size 4 |
| 65.5005 | Left Size 5 |
| 65.5101 | Right Size 1 |
| 65.5102 | Right Size 2 |
| 65.5103 | Right Size 3 |
| 65.5104 | Right Size 4 |
| 65.5105 | Right Size 5 |

Superica Tibial Components (CoCr)

| Code | Size |
|---------|-------------|
| 65.5201 | Size 1 |
| 65.5202 | Size 2 |
| 65.5203 | Size 3 |
| 65.5204 | Size 4 |
| 65.5205 | Size 5 |
| 65.5301 | Size 1 Plus |
| 65.5302 | Size 2 Plus |
| 65.5303 | Size 3 Plus |
| 65.5304 | Size 4 Plus |
| 65.5305 | Size 5 Plus |

Ordering Information

Superica Tibial Inserts

| Code | Size |
|---------|------------------|
| 65.5010 | Left 10mm Size1 |
| 65.5012 | Left 12mm Size1 |
| 65.5014 | Left 14mm Ölçü1 |
| 65.5017 | Left 17mm Size1 |
| 65.5020 | Left 20mm Size1 |
| 65.5025 | Left 25mm Size1 |
| 65.5210 | Left 10mm Size2 |
| 65.5212 | Left 12mm Size2 |
| 65.5214 | Left 14mm Size2 |
| 65.5217 | Left 17mm Size2 |
| 65.5220 | Left 20mm Size2 |
| 65.5225 | Left 25mm Size2 |
| 65.5410 | Left 10mm Size3 |
| 65.5412 | Left 12mm Size3 |
| 65.5414 | Left 14mm Size3 |
| 65.5417 | Left 17mm Size3 |
| 65.5420 | Left 20mm Size3 |
| 65.5425 | Left 25mm Size3 |
| 65.5610 | Left 10mm Size4 |
| 65.5612 | Left 12mm Size4 |
| 65.5614 | Left 14mm Size4 |
| 65.5617 | Left 17mm Size4 |
| 65.5620 | Left 20mm Size4 |
| 65.5625 | Left 25mm Size4 |
| 65.5810 | Left 10mm Size5 |
| 65.5812 | Left 12mm Size5 |
| 65.5814 | Left 14mm Size5 |
| 65.5817 | Left 17mm Size5 |
| 65.5820 | Left 20mm Size5 |
| 65.5825 | Left 25mm Size5 |
| 65.5110 | Right 10mm Size1 |
| 65.5112 | Right 12mm Size1 |
| 65.5114 | Right 14mm Size1 |
| 65.5117 | Right 17mm Size1 |
| 65.5120 | Right 20mm Size1 |
| 65.5125 | Right 25mm Size1 |
| 65.5310 | Right 10mm Size2 |
| 65.5312 | Right 12mm Size2 |
| 65.5314 | Right 14mm Size2 |
| 65.5317 | Right 17mm Size2 |
| 65.5320 | Right 20mm Size2 |
| 65.5325 | Right 25mm Size2 |
| 65.5510 | Right 10mm Size3 |
| 65.5512 | Right 12mm Size3 |
| 65.5514 | Right 14mm Size3 |
| 65.5517 | Right 17mm Size3 |
| 65.5520 | Right 20mm Size3 |
| 65.5525 | Right 25mm Size3 |
| 65.5710 | Right 10mm Size4 |
| 65.5712 | Right 12mm Size4 |
| 65.5714 | Right 14mm Size4 |
| 65.5717 | Right 17mm Size4 |
| 65.5720 | Right 20mm Size4 |
| 65.5725 | Right 25mm Size4 |
| 65.5910 | Right 10mm Size5 |
| 65.5912 | Right 12mm Size5 |
| 65.5914 | Right 14mm Size5 |
| 65.5917 | Right 17mm Size5 |
| 65.5920 | Right 20mm Size5 |
| 65.5925 | Right 25mm Size5 |

Ordering Information

Superica Xlulmwpe Inserts

| Code | Size |
|---------|------------------|
| 65.7010 | Left 10mm Size1 |
| 65.7012 | Left 12mm Size1 |
| 65.7014 | Left 14mm Size1 |
| 65.7017 | Left 17mm Size1 |
| 65.7020 | Left 20mm Size1 |
| 65.7025 | Left 25mm Size1 |
| 65.7210 | Left 10mm Size2 |
| 65.7212 | Left 12mm Size2 |
| 65.7214 | Left 14mm Size2 |
| 65.7217 | Left 17mm Size2 |
| 65.7220 | Left 20mm Size2 |
| 65.7225 | Left 25mm Size2 |
| 65.7410 | Left 10mm Size3 |
| 65.7412 | Left 12mm Size3 |
| 65.7414 | Left 14mm Size3 |
| 65.7417 | Left 17mm Size3 |
| 65.7420 | Left 20mm Size3 |
| 65.7425 | Left 25mm Size3 |
| 65.7610 | Left 10mm Size4 |
| 65.7612 | Left 12mm Size4 |
| 65.7614 | Left 14mm Size4 |
| 65.7617 | Left 17mm Size4 |
| 65.7620 | Left 20mm Size4 |
| 65.7625 | Left 25mm Size4 |
| 65.7810 | Left 10mm Size5 |
| 65.7812 | Left 12mm Size5 |
| 65.7814 | Left 14mm Size5 |
| 65.7817 | Left 17mm Size5 |
| 65.7820 | Left 20mm Size5 |
| 65.7825 | Left 25mm Size5 |
| 65.7110 | Right 10mm Size1 |
| 65.7112 | Right 12mm Size1 |
| 65.7114 | Right 14mm Size1 |
| 65.7117 | Right 17mm Size1 |
| 65.7120 | Right 20mm Size1 |
| 65.7125 | Right 25mm Size1 |
| 65.7310 | Right 10mm Size2 |
| 65.7312 | Right 12mm Size2 |
| 65.7314 | Right 14mm Size2 |
| 65.7317 | Right 17mm Size2 |
| 65.7320 | Right 20mm Size2 |
| 65.7325 | Right 25mm Size2 |
| 65.7510 | Right 10mm Size3 |
| 65.7512 | Right 12mm Size3 |
| 65.7514 | Right 14mm Size3 |
| 65.7517 | Right 17mm Size3 |
| 65.7520 | Right 20mm Size3 |
| 65.7525 | Right 25mm Size3 |
| 65.7710 | Right 10mm Size4 |
| 65.7712 | Right 12mm Size4 |
| 65.7714 | Right 14mm Size4 |
| 65.7717 | Right 17mm Size4 |
| 65.7720 | Right 20mm Size4 |
| 65.7725 | Right 25mm Size4 |
| 65.7910 | Right 10mm Size5 |
| 65.7912 | Right 12mm Size5 |
| 65.7914 | Right 14mm Size5 |
| 65.7917 | Right 17mm Size5 |
| 65.7920 | Right 20mm Size5 |
| 65.7925 | Right 25mm Size5 |

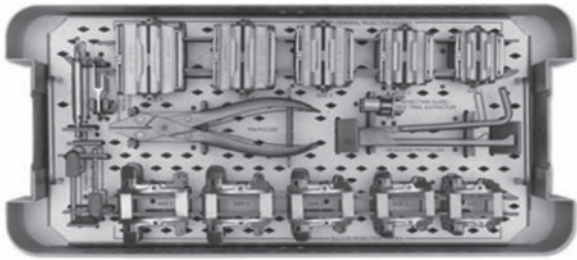


Ordering Information

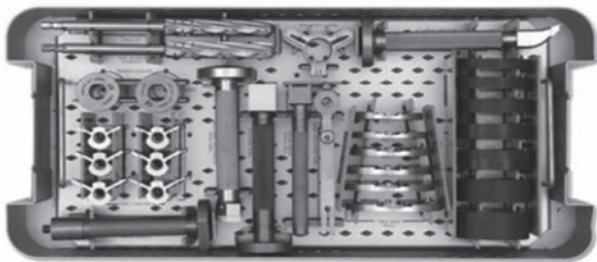
Superica Patellar Component

| Code | Size |
|---------|------|
| 65.5426 | 26mm |
| 65.5429 | 29mm |
| 65.5432 | 32mm |
| 65.5435 | 35mm |

Ordering Information

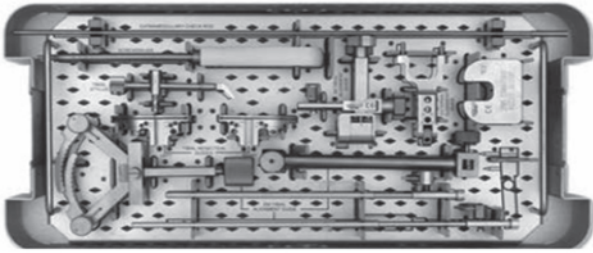


| Code | Size |
|---------|---|
| 99.3148 | Superica Femoral Cutter Guide Tray |
| 99.3000 | Superica Femoral Cutter Guide Size-1 |
| 99.3001 | Superica Femoral Cutter Guide Size-2 |
| 99.3002 | Superica Femoral Cutter Guide Size-3 |
| 99.3003 | Superica Femoral Cutter Guide Size-4 |
| 99.3004 | Superica Femoral Cutter Guide Size-5 |
| 99.3005 | Trial Femur Extractor |
| 99.3006 | Headless Pin Puller |
| 99.3007 | 8 mm Gauge For 4 in 1 Resection Guide |
| 99.3008 | Ø4.8 mm Femoral Peg Drill |
| 99.3009 | Superica Notch Block Size-1 |
| 99.3010 | Superica Notch Block Size-2 |
| 99.3011 | Superica Notch Block Size-3 |
| 99.3012 | Superica Notch Block Size-4 |
| 99.3013 | Superica Notch Block Size-5 |
| 99.3014 | Knee Impactor/extractor |

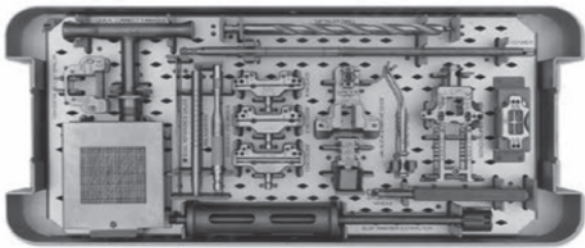


| Code | Size |
|---------|---------------------------------------|
| 99.3149 | Superica Tibial Guide Tray-1 |
| 99.3015 | Flexion Extension Gaps -2 mm |
| 99.3016 | Flexion Extension Gaps 10 mm |
| 99.3017 | Flexion Extension Gaps 12 mm |
| 99.3018 | Flexion Extension Gaps 14 mm |
| 99.3019 | Flexion Extension Gaps 17 mm |
| 99.3020 | Flexion Extension Gaps 20 mm |
| 99.3021 | Flexion Extension Gaps 25 mm |
| 99.3022 | Tibial Base Plate Size 1 |
| 99.3023 | Tibial Base Plate Size 2/1+ |
| 99.3024 | Tibial Base Plate Size 3/2+ |
| 99.3025 | Tibial Base Plate Size 4/3+ |
| 99.3026 | Tibial Base Plate Size 5/4+ |
| 99.3027 | Tibial Base Plate Size 6/5+ |
| 99.3028 | Tibial Base Plate Handle |
| 99.3029 | Keel Punch Guide Handle |
| 99.3030 | Tibial Impactor |
| 99.3031 | Tibia Base Extractor/impactor |
| 99.3032 | Keel Punch Handle |
| 99.3033 | Pressfit Keel Punch Size 1, 1+, 2 |
| 99.3034 | Pressfit Keel Punch Size 2+, 3, 3+, 4 |
| 99.3035 | Pressfit Keel Punch Size 4+, 5, 5+, 6 |
| 99.3036 | Oversize Keel Punch Size 1, 1+, 2 |
| 99.3037 | Oversize Keel Punch Size 2+, 3, 3+, 4 |
| 99.3038 | Oversize Keel Punch Size 4+, 5, 5+, 6 |
| 99.3039 | Oversize Tibial Drill Sleeve |
| 99.3040 | Pressfit Tibial Drill Sleeve |
| 99.3041 | Pressfit Tibial Drill |
| 99.3042 | Oversize Tibial Drill |
| 99.3043 | Keel Punch Guide |
| 99.3044 | Insert Impactor |

Ordering Information



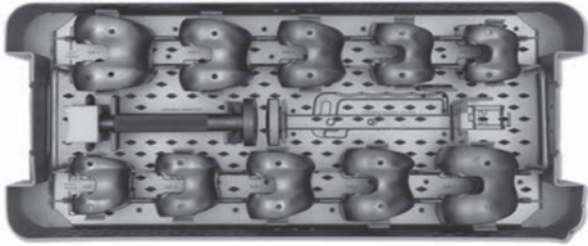
| Code | Size |
|---------|------------------------------------|
| 99.3150 | Superica Tibial Guide Tray-2 |
| 99.3045 | External Aligment Guide Body |
| 99.3046 | External Aligment Guide Extractor |
| 99.3047 | Tibial Resection Guide Ankle Clamp |
| 99.3048 | Tibial Resection Guide Long Shaft |
| 99.3049 | Tibial Resection Guide Body |
| 99.3050 | Tibial Resection Guide Short Shaft |
| 99.3051 | Tibial Guide Left |
| 99.3052 | Tibial Guide Right |
| 99.3053 | 1m Tibial Aligment Guide Modified |
| 99.3054 | External Aligment Guide |
| 99.3055 | 2 mm Recut Guide |
| 99.3056 | Tibial Stylus |
| 99.3057 | External Check Rod |
| 99.3058 | Screwdriver |



| Code | Size |
|---------|--|
| 99.3151 | Superica General Tray |
| 99.3059 | 3/8" Drill |
| 99.3060 | 11" Reamer Rod |
| 99.3061 | Quick Connect T-handle |
| 99.3062 | Valgus Aligment Guide Spacer 7 mm |
| 99.3063 | Re-drill Guide |
| 99.3064 | Femoral Sizing Caliper / Pin Hole - Handle |
| 99.3065 | Femoral Sizing |
| 99.3066 | Femoral Stylus |
| 99.3067 | Valgus Aligment Guide |
| 99.3068 | Valgus Aligment |
| 99.3069 | Distal Resection Guide 9 mm |
| 99.3070 | Distal Resection Guide 11 mm |
| 99.3071 | Distal Resection Guide 9 mm - 13 mm |
| 99.3072 | Thereaded Pin Driver |
| 99.3073 | Pin Inserter |
| 99.3074 | Dual Reference Gauge |
| 99.3075 | Thereaded Stabilizing |
| 99.3076 | Slap Hammer |
| 99.3077 | Pin Caddy |
| 99.3078 | Tibial Base Fixation Pin With Tapered Head |
| 99.3079 | Flat Head Fixation Pin 45mm |
| 99.3080 | 80 mm Headless Fixation Pin Without Groove |
| 99.3081 | 125 Quick Disconnect Drill Bit |
| 99.3082 | Drill Bits Only |
| 99.3083 | Drill Bit 1/8" W/quick Disconnect 100mm |
| 99.3084 | 1/8" Drill Bit W/ Stop |
| 99.3085 | Trial Tibial Insert Pin |



Ordering Information



| Code | Size |
|---------|-----------------------------|
| 99.3152 | Superica Femoral Trial Tray |
| 99.3086 | Trial Femur Left Size 1 |
| 99.3087 | Trial Femur Left Size 2 |
| 99.3088 | Trial Femur Left Size 3 |
| 99.3089 | Trial Femur Left Size 4 |
| 99.3090 | Trial Femur Left Size 5 |
| 99.3091 | Trial Femur Right Size 1 |
| 99.3092 | Trial Femur Right Size 2 |
| 99.3093 | Trial Femur Right Size 3 |
| 99.3094 | Trial Femur Right Size 4 |
| 99.3095 | Trial Femur Right Size 5 |
| 99.3096 | Femoral Impactor |
| 99.3148 | Femoral Holder Driver |

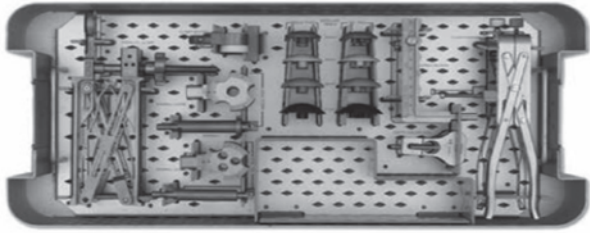
Ordering Information

| Code | Size |
|----------------|---|
| 99.3153 | Superica Left Insert Trials Tray |
| 99.3097 | Trial Insert Left Size 1 10 mm |
| 99.3098 | Trial Insert Left Size 1 12 mm |
| 99.3099 | Trial Insert Left Size 1 14 mm |
| 99.3100 | Trial Insert Left Size 1 17 mm |
| 99.3101 | Trial Insert Left Size 2 10 mm |
| 99.3102 | Trial Insert Left Size 2 12 mm |
| 99.3103 | Trial Insert Left Size 2 14 mm |
| 99.3104 | Trial Insert Left Size 2 17 mm |
| 99.3105 | Trial Insert Left Size 3 10 mm |
| 99.3106 | Trial Insert Left Size 3 12 mm |
| 99.3107 | Trial Insert Left Size 3 14 mm |
| 99.3108 | Trial Insert Left Size 3 17 mm |
| 99.3109 | Trial Insert Left Size 4 10 mm |
| 99.3110 | Trial Insert Left Size 4 12 mm |
| 99.3111 | Trial Insert Left Size 4 14 mm |
| 99.3112 | Trial Insert Left Size 4 17 mm |
| 99.3113 | Trial Insert Left Size 5 10 mm |
| 99.3114 | Trial Insert Left Size 5 12 mm |
| 99.3115 | Trial Insert Left Size 5 14 mm |
| 99.3116 | Trial Insert Left Size 5 17 mm |

| Code | Size |
|----------------|--|
| 99.3154 | Superica Right Insert Trials Tray |
| 99.3117 | Trial Insert Right Size 1 10 mm |
| 99.3118 | Trial Insert Right Size 1 12 mm |
| 99.3119 | Trial Insert Right Size 1 14 mm |
| 99.3120 | Trial Insert Right Size 1 17 mm |
| 99.3121 | Trial Insert Right Size 2 10 mm |
| 99.3122 | Trial Insert Right Size 2 12 mm |
| 99.3123 | Trial Insert Right Size 2 14 mm |
| 99.3124 | Trial Insert Right Size 2 17 mm |
| 99.3125 | Trial Insert Right Size 3 10 mm |
| 99.3126 | Trial Insert Right Size 3 12 mm |
| 99.3127 | Trial Insert Right Size 3 14 mm |
| 99.3128 | Trial Insert Right Size 3 17 mm |
| 99.3129 | Trial Insert Right Size 4 10 mm |
| 99.3130 | Trial Insert Right Size 4 12 mm |
| 99.3131 | Trial Insert Right Size 4 14 mm |
| 99.3132 | Trial Insert Right Size 4 17 mm |
| 99.3133 | Trial Insert Right Size 5 10 mm |
| 99.3134 | Trial Insert Right Size 5 12 mm |
| 99.3135 | Trial Insert Right Size 5 14 mm |
| 99.3136 | Trial Insert Right Size 5 17 mm |



Ordering Information



| Code | Size |
|---------|-----------------------------|
| 99.3155 | Superica Patella Tray |
| 99.3137 | End Mill Guides Single Post |
| 99.3138 | Parallel Clamp |
| 99.3139 | Clamp Seater |
| 99.3140 | Patella Trial Size 26 |
| 99.3141 | Patella Trial Size 29 |
| 99.3142 | Patella Trial Size 32 |
| 99.3143 | Patella Trial Size 35 |
| 99.3144 | Depth Gauges |
| 99.3145 | Clamp Assembly |
| 99.3146 | End Mills - Tri Post |
| 99.3147 | Patella Sizing Caliper |

Lawn Road, Carlton-in-Lindrick, Worksop
Nottinghamshire S81 9 LB United Kingdom
Tel: + 44 1 909 733737 Fax: + 44 1 909 733757

www.covision-medical.co.uk

COVISION
O R T H O P A E D I C S

Evolutis

CREATEUR | FABRICANT

Product Sheet
Stemsys®
Fiche Produit



REVISION Distal locking / Verrouillage distal
Lengths / Longueurs 210 to/à 240, 260(L) &/et 320mm(XL)
Collared / Avec collerette

REVISION Slotted / Fendue
Lengths / Longueurs 200 to/à 240mm
Collared and collarless / Avec ou sans collerette

**Primary Standard
1ere intention standard**
Collared or collarless / Avec ou sans collerette
HAP : Lengths / Longueurs 110 to/à 190mm
Porous Ti + HAP : Lengths / Longueurs 110 to/à 170mm

**Primary Lateralised
1ere intention Latéralisée**
Collared or collarless / Avec ou sans collerette
HAP : Lengths / Longueurs 130 to/à 190mm
Porous Ti + HAP : Lengths / Longueurs 120 to/à 170mm

**Primary cemented
1ere intention à ciment**
135° or/ou 128°
Lengths / Longueurs 120 to/à 160mm (155mm lat.)
Collarless / Sans collerette

**Neck fracture gritblasted
Fracture du col corindonnée**
Lengths / Longueurs 115 to/à 190mm
Collared / Avec collerette

Femoral implants for THA and THR indications

Implants fémoraux pour indications de PTH et PTHR

REFERENCES

Dec 2017 / Réf. : BI_STEMSYS FP H46 (H46-432)

STEMSYS Cementless Sans ciment

| Standard | Cementless dual coating Porous Ti + HA revêtement Ti + HA | | | Double Cementless HA coating Hydroxyapatite | | | |
|------------------|--|---------------------------|-----------------------------|---|-----------------------------|---------------------------|-----------------------------|
| | Std Collared Std à Coll. | Lateralized Latéralisé | Lat Collared Lat à coll. | Standard | Std Collared Std à Coll. | Lateralized Latéralisé | Lat Collared Lat à coll. |
| size / taille 7 | * H45 007 | | | H73 007 | | | |
| size / taille 8 | * H45 008 | H45 C008 | | H73 008 | H73 C008 | | |
| size / taille 9 | H45 009 | H45 C009 | H45 L009 | H73 009 | H73 C009 | H73 L009 | H73 LC009 |
| size / taille 10 | H45 010 | H45 C010 | H45 L010 | H73 010 | H73 C010 | H73 L010 | H73 LC010 |
| size / taille 11 | H45 011 | H45 C011 | H45 L011 | H73 011 | H73 C011 | H73 L011 | H73 LC011 |
| size / taille 12 | H45 012 | H45 C012 | H45 L012 | H73 012 | H73 C012 | H73 L012 | H73 LC012 |
| size / taille 13 | H45 013 | H45 C013 | H45 L013 | H73 013 | H73 C013 | H73 L013 | H73 LC013 |
| size / taille 14 | H45 014 | H45 C014 | H45 L014 | H73 014 | H73 C014 | H73 L014 | H73 LC014 |
| size / taille 15 | H45 015 | H45 C015 | H45 L015 | H73 015 | H73 C015 | H73 L015 | H73 LC015 |
| size / taille 16 | H45 016 | H45 C016 | H45 L016 | H73 016 | H73 C016 | H73 L016 | H73 LC016 |
| size / taille 18 | H45 018 | H45 C018 | H45 L018 | H73 018 | H73 C018 | H73 L018 | H73 LC018 |
| size / taille 20 | H45 020 | | H45 L020 | H73 020 | H73 C020 | H73 L020 | H73 LC020 |

Fracture

| Gritblasted Corindonné | |
|------------------------|---------------|
| Std Collared | Std à Coll. |
| size/taille 8 | ****H73 TC008 |
| size/taille 9 | ****H73 TC009 |
| size/taille 10 | ****H73 TC010 |
| size/taille 11 | ****H73 TC011 |
| size/taille 12 | ****H73 TC012 |
| size/taille 13 | ****H73 TC013 |
| size/taille 14 | ****H73 TC014 |
| size/taille 15 | ****H73 TC015 |
| size/taille 16 | ****H73 TC016 |
| size/taille 18 | ****H73 TC018 |
| size/taille 20 | ****H73 TC020 |

Cemented A cimenter

| Std. | Shiny-Polished Poli-Brillant | |
|----------------|---------------------------------|----------|
| | Std. | Lat. |
| size/taille 9 | H45 S009 | H45 S009 |
| size/taille 10 | H45 S010 | H45 S010 |
| size/taille 11 | H45 S011 | H45 S011 |
| size/taille 12 | H45 S012 | H45 S012 |
| size/taille 13 | H45 S013 | H45 S013 |
| size/taille 14 | H45 S014 | H45 S014 |
| size/taille 15 | H45 S015 | H45 S015 |
| size/taille 16 | H45 S016 | H45 S016 |
| size/taille 18 | H45 S018 | |

STEMSYS Revision

| Size/Taille | Split Collarless Fendue sans Collerette | Split Collared Fendue à Collerette | Distal Lock. A verrouill. distal | L Distal Lock. A verrouill. | | XL Distal Lock. A verrouill. | Locking screw Vis de verrouillage |
|----------------|---|--|--|-----------------------------------|------------|------------------------------------|--------------------------------------|
| | | | | L | XL | | |
| size/taille 10 | H45 R010 | H45 RC010 | | | | | ø6/4.5 lg.20 H15 SC6020 |
| size/taille 12 | H45 R012 | H45 RC012 | H45 R112 | H45 R112L | H45 R112XL | | ø6/4.5 lg.25 H15 SC6025 |
| size/taille 14 | H45 R014 | H45 RC014 | H45 R114 | | | | ø6/4.5 lg.30 H15 SC6030 |
| size/taille 16 | H45 R016 | H45 RC016 | H45 R116 | | | | ø6/4.5 lg.35 H15 SC6035 |
| size/taille 18 | H45 R018 | H45 RC018 | H45 R118 | | | | ø6/4.5 lg.40 H15 SC6040 |
| size/taille 20 | H45 R020 | H45 RC020 | H45 R120 | | | | Lot 3, Lot 12 |

Femoral Heads Têtes Fémorales

| Description | Size Taille | Cat. N° | Description | Size Taille | Cat. N° |
|-----------------------|-------------|----------|-----------------------------|-------------|-----------|
| Co-Cr / Chrome-Cobalt | ø28 -7mm | H10 1279 | Composite Ceramic Composite | ø28 -3.5mm | H14 C1280 |
| Co-Cr / Chrome-Cobalt | ø28 -3.5mm | H10 1280 | Composite Ceramic Composite | ø28 +0mm | H14 C1281 |
| Co-Cr / Chrome-Cobalt | ø28 +0mm | H10 1281 | Composite Ceramic Composite | ø28 +3.5mm | H14 C1282 |
| Co-Cr / Chrome-Cobalt | ø28 +3.5mm | H10 1282 | Composite Ceramic Composite | ø32 -4mm | H14 C1320 |
| Co-Cr / Chrome-Cobalt | ø28 +7mm | H10 1283 | Composite Ceramic Composite | ø32 +0mm | H14 C1321 |
| Co-Cr / Chrome-Cobalt | ø28 +10.5mm | H10 1284 | Composite Ceramic Composite | ø32 +4mm | H14 C1322 |
| Co-Cr / Chrome-Cobalt | ø32 -4mm | H10 1320 | Composite Ceramic Composite | ø36 -4mm | H14 C1360 |
| Co-Cr / Chrome-Cobalt | ø32 +0mm | H10 1321 | Composite Ceramic Composite | ø36 +0mm | H14 C1361 |
| Co-Cr / Chrome-Cobalt | ø32 +4mm | H10 1322 | Composite Ceramic Composite | ø36 +4mm | H14 C1362 |
| Co-Cr / Chrome-Cobalt | ø32 +8mm | H10 1323 | Composite Ceramic Composite | ø40 -4mm | H14 C1400 |
| Co-Cr / Chrome-Cobalt | ø36 -4mm | H10 1360 | Composite Ceramic Composite | ø40 +0mm | H14 C1401 |
| Co-Cr / Chrome-Cobalt | ø36 +0mm | H10 1361 | Composite Ceramic Composite | ø40 +4mm | H14 C1402 |
| Co-Cr / Chrome-Cobalt | ø36 +4mm | H10 1362 | | | |
| Co-Cr / Chrome-Cobalt | ø36 +8mm | H10 1363 | | | |

not validated for patients exceeding 75kgs (165lbs)

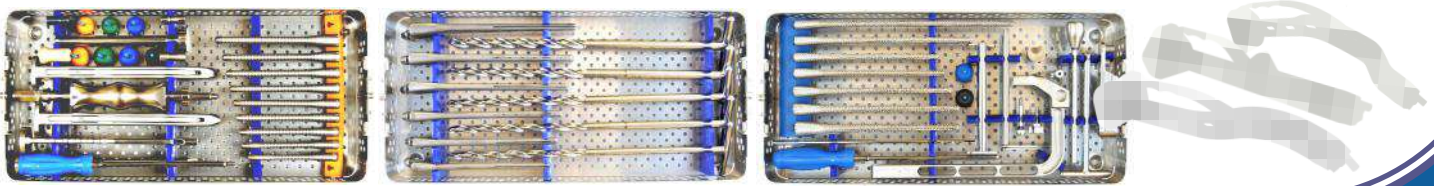
not validated for patients exceeding 80kgs (176lbs)

not validated for use with 128° NSA femoral stem

indicated only for the femoral neck fracture at the elderly

STEMSYS instrumentation sets:
primary set, slotted revision set, and
distal locking jig set.

Instrumentations STEMSYS



Mentions légales: V8 à 8 de PY di d 8e908 o8888 à onl : à 89 nr 8 or ml 88r TΠέov: 8 @: 7x 8 l 7u7e@ 89r 8 @7à l v7 8 99 x 8 +a e S. è: @ 79 x 8 +a S. è: @: 7x 8 7 8e8 0 7u7e@ 89r 8 +a e S c. or x ul énur 8r xè é x r 78e63
Vr 8 à 8 de PY di d 8e908 ré nul 7r @ 7x 88: 7 én à l x or 8è: 8 nr 79 ver 8 nee08e83vè 7à l 9eè 8: 7x 88 www.ameli.fr 2
Tmkpr: °omv n89m x n88Au nv9iv r9A tr°mi 9nv9 mu nv9tn8 iv89: k9vw8 u nv9wvAn8 8: ° ti v99kml): 9tr8i 9w ivkt: 8ml i v8 tm
kwl r9wvnu nv9l : NV 8i iv8ry: ml i v8 tm i v: nt l m9tkpvy: mwx A i 9w ml Atr °A ti u r8mmv xt kml : x °w l r9w l r8xwvj tmm
9AtAki °omu mv98: ° tm89m 2n vt: 98r7i vkn2kw 2

Materials / Matéria: Titanium alloy TA6V according ISO5832-3 + aritblasted or Calcium Hydroxyapatite or T40 titanium + Calcium

Cemented stems: High nitrogen content stainless steel according ISO5832-9

Femoral heads: Co-Cr according ISO5832-12 or Pure alumina according ISO6474-1 or Composite Ceramic according ISO6474-2

Vacuum packaging. Gamma ray sterilised

Evolutis

CREATEUR FABRICANT



Freeliner®

Acetabular cup for Ceramic or Highly-Crosslinked PEXEL® -E Polyethylene liner

*Cupule acétabulaire à insert Céramique
ou Polyéthylène Hautement Réticulé
PEXEL® -E*

Evolutis
MOTION INSIDE

The **FREELINER**[®] acetabular cup for Total Hip Arthroplasty is designed for cementless fixation to the bone, and enable 3 choices of friction bearing:

- moderately crosslinked PEXEL[®] polyethylene against a metal or a ceramic head,
- highly-crosslinked polyethylene with vitamin-E (PEXEL[®]-E) against a metal or a ceramic head,
- ceramic composite against a ceramic composite head.

The **FREELINER**[®] cup has been designed to ensure maximum safety during implantation and security for the patient when used with either polyethylene or ceramic liners. The cup is uncompromisingly adapted to the different characteristics of these 2 bearings:

- the inner surface of the taper is smooth and free of asperities to facilitate and secure the insertion of the ceramic insert,
- the stability of the polyethylene insert is secured by 10 anti-rotational spurs and a locking ring situated on the equator.

*La cupule acétabulaire **FREELINER**[®] est un composant de prothèse totale de hanche destiné à une fixation osseuse sans ciment, et compatible au choix avec 3 couples de frottement :*

- polyéthylène PEXEL[®] modérément réticulé avec métal ou céramique,
- polyéthylène vitaminé-E hautement réticulé (Pexel[®]-E) avec métal ou céramique,
- céramique composite avec céramique composite.

***FREELINER**[®] a été conçue pour assurer le maximum de sécurité de mise en place et d'usage qu'elle soit associée avec un insert polyéthylène ou un insert céramique. La cupule a été adaptée aux caractéristiques propres à chacun des couples de frottement :*

- L'intégrité de la portée conique a été préservée pour sécuriser la mise en place et la fixation de l'insert céramique.
- La stabilité des inserts en polyéthylène est sécurisée par 10 ergots anti-rotation et un bourrelet de clippage situé en avant de la portée conique.

DELTA[®]
Ceramic (composite of
Alumina and Zirconia)

PEXEL[®]-E
highly-crosslinked
polyethylene
with vitamin-E

PEXEL[®]
moderately
crosslinked
polyethylene

Freeliner[®]

- Choice of 3 friction bearings
- Primary stability enhanced by the high roughness of the coating
- Osseointegration on highly porous substrate (40 to 70%)
- Safety and reproducibility of the surgical technique

- Choix parmi 3 couples de frottement
- Stabilité primaire induite par la rugosité de surface du revêtement
- Ostéointégration secondaire sur substrat hautement poreux (40 à 70%)
- Sécurité et reproductibilité de la technique d'implantation

Moderately crosslinked PEXEL® polyethylene

- Moderately crosslinked at 40kGy max.
- VacUpac vacuum packaging
- Anti-cislocation 6mm Posterior wall
- Anterior chamfer of 32°
- Inner Ø28mm

Polyéthylène modérément réticulé PEXEL®

- Réticulation modérée à 40kGy max.
- Conditionnement sous vide VacUpac
- Mur postérieur antihuxation de 6mm
- Chanfrein antérieur de 32°
- Ø interne 28mm



Ceramic (Composite of Alumina and Zirconia)

- Composite of alumina and zirconia ceramic
- New SLWZero design with constant radius
- Center of rotation aligned with the equator of the liner
- Liner protected from "chipping" by the peripheral border on the cup
- Inner Ø32, 36, and 40mm

Céramique (composite d'alumine et zirconie)

- Composite d'alumine et de zirconie
- Nouveau profil SLWZero à rayon constant
- Centre de rotation positionné sur l'équateur
- insert protégé de l'écaillage ("chipping") par le rebord périphérique de la cupule
- Ø interne 32, 36, et 40mm



Highly-crosslinked PEXEL®-E polyethylene with vitamin-E

- Sequentially crosslinked UHMWPE at 100kGy max.
- VacUpac vacuum packaging
- Oxidation inhibited by content of 0.1%wt of α-tocopherol (vitamin-E) blended in the material before compression molding
- with circumferential chamfer of 20°
- Inner Ø32 and 36mm

Polyéthylène PEXEL®-E hautement réticulé à la vitamine-E

- UHMWPE réticulé séquentiellement à 100kGy max.
- Conditionnement sous vide VacUpac
- Inhibition de l'oxydation par adjonction de 0,1%wt de α-tocopherol (vitamine-E) dans la poudre avant consolidation par pressage à chaud (compression molding)
- Inserts sans débord avec chanfrein circonférentiel de 20°
- Ø interne 32 et 36mm



| Cup Ø | PEXEL | PEXEL-E | PEXEL-E | Ceramic | Ceramic |
|--------|--------|---------|---------|---------|---------|
| Ø Cup. | PEXEL | PEXEL-E | PEXEL-E | Ceramic | Ceramic |
| 44 (*) | 28 (*) | | | | |
| 46 | 28 | 32 | | 32 | |
| 48 | 28 | 32 | | 32 | |
| 50 | 28 | 32 | 36 | 36 | |
| 52 | 28 | 32 | 36 | 36 | |
| 54 | 28 | 32 (*) | 36 | 36 | 40 |
| 56 | 28 | 32 (*) | 36 | 36 | 40 |
| 58 | 28 | 32 (*) | 36 | 36 | 40 |
| 60 | 28 | 32 (*) | 36 | 36 | 40 |
| 62 | 28 | 32 (*) | 36 | 36 | 40 |
| 64 (*) | 28 (*) | 32 (*) | 36 (*) | 36 (*) | 40 (*) |
| 66 (*) | 28 (*) | 32 (*) | 36 (*) | 36 (*) | 40 (*) |

Table: diameters and materials of available friction couples according to the diameter of the shell.
Tableau : diamètres et matériaux des couples de frottement disponibles en fonction du diamètre de la cupule.

(*): References available only on special request
Références disponibles sur demande spéciale



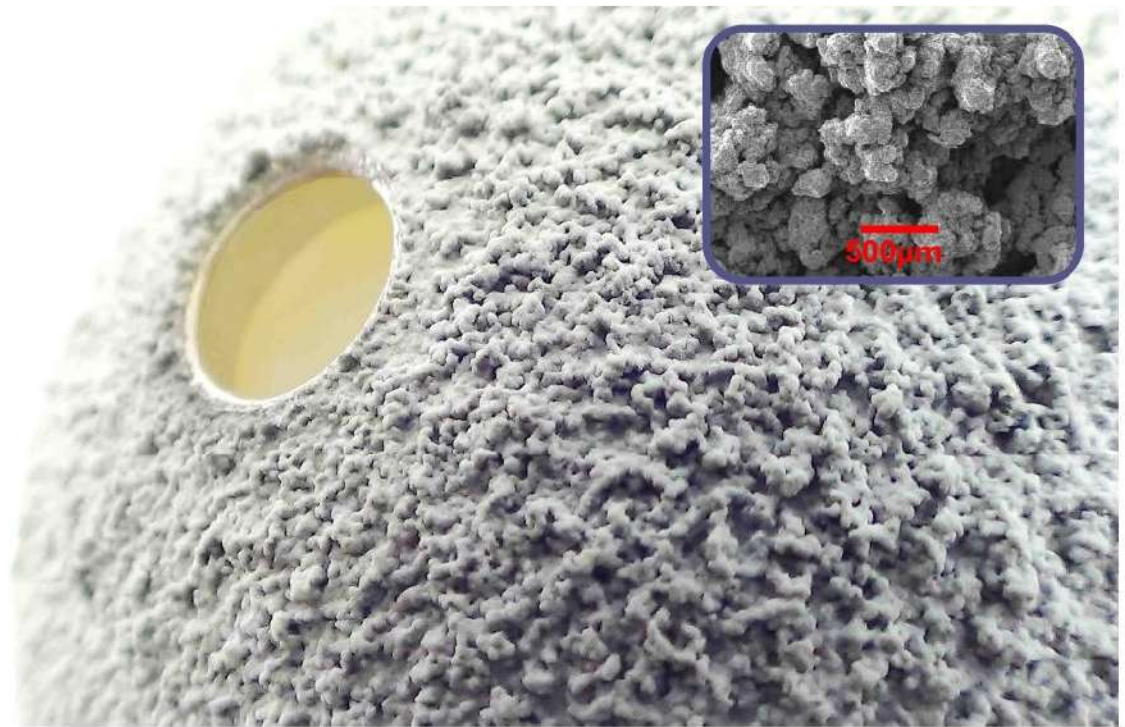
ner®

Freeliner®
PEXEL 28

Freeliner®
PEXEL-E 32

Freeliner®
PEXEL-E 36

Freeliner®
Ceramic 36



Hemispheric cup

Primary stability through a plasma spray high rough grade porous coating
 Dimensional press-fit from 1.26 to 1.66mm according to the diameter of the cup
 Optional complementary fixation with screws (Ø6.0 cancellous self-tapping):

- 4 holes in the superior part of the cup on a constant bow of 120°
- angular clearance of 20° for the screws

Cementless osseo-integration coating:
 - 80µm of calcium hydroxyapatite
 - 400 to 600µm of porous titanium

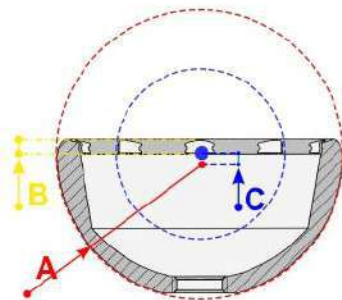
Cupule hémisphérique

Accroche primaire par revêtement poreux à haute rugosité
 Press-fit dimensionnel de 1,26 à 1,66mm selon le diamètre de la cupule
 Complément de fixation par vissage Ø6mm à profil spongieux autotaraudant :

- 4 trous de vis orientés dans le toit du cotyle sur un arc constant de 120°
- amplitude de débattement angulaire des vis de 20°.

Revêtement pour fixation secondaire sans ciment :

- 80µm d'hydroxyapatite de calcium
- 400 à 600µm de titane poreux



| Reference diameter <i>Diamètre de référence</i> | True diameter <i>Diamètre réel</i> | Total Press-Fit total | Equatorial lip <i>Bord équatorial</i> | Offset | Revêtement T40 Coating | Revêtement HAP Coating |
|--|---------------------------------------|-----------------------|--|--------|------------------------|------------------------|
| | A | | B | C | | |
| Ø44 | 45,26 | 1,26 | 2,6 | 1 | 400µm | 80µm |
| Ø46 | 47,46 | 1,46 | 2,6 | 1 | 500µm | 80µm |
| Ø48 | 49,66 | 1,66 | 2,6 | 0 | 600µm | 80µm |
| Ø50 | 51,66 | 1,66 | 2,6 | 1 | 600µm | 80µm |
| Ø52 | 53,66 | 1,66 | 2,6 | 0 | 600µm | 80µm |
| Ø54 | 55,66 | 1,66 | 2,6 | 1 | 600µm | 80µm |
| Ø56 | 57,66 | 1,66 | 2,6 | 0 | 600µm | 80µm |
| Ø58 | 59,66 | 1,66 | 2,6 | 0 | 600µm | 80µm |
| Ø60 | 61,66 | 1,66 | 2,6 | 0 | 600µm | 80µm |
| Ø62 | 63,66 | 1,66 | 2,6 | 0 | 600µm | 80µm |
| Ø64 | 65,66 | 1,66 | 2,6 | 0 | 600µm | 80µm |
| Ø66 | 67,66 | 1,66 | 2,6 | 0 | 600µm | 80µm |

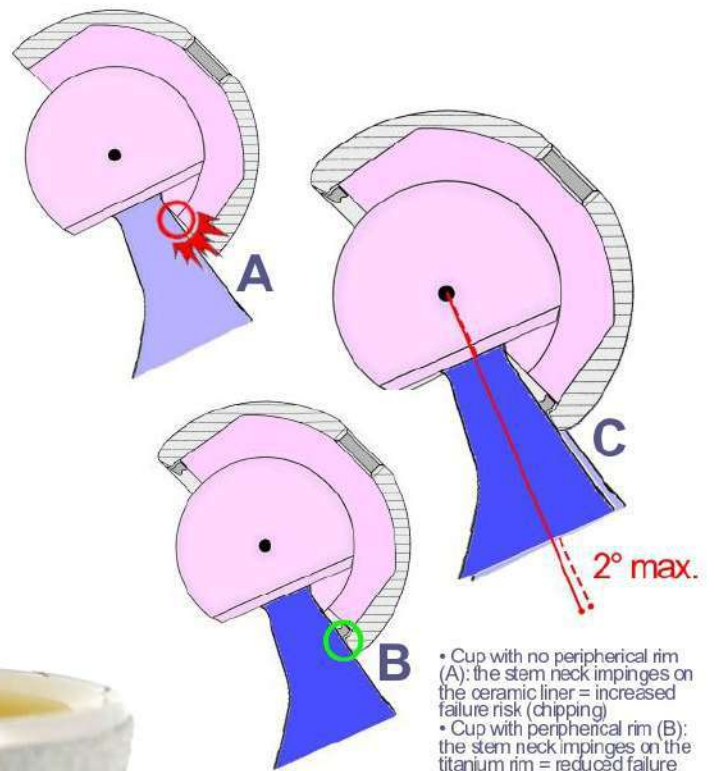
Table: reference and true dimensions, press-fit value, offset of rotation center, and coating thicknesses for each size of Freelineer cup.
 Tableau : dimensions de référence et réelles, valeur du press-fit, offset du centre de rotation, et épaisseurs de revêtement pour chaque diamètre de cupule Freelineer.

The FREELINER® cup includes a 2.6mm peripheral rim meant for:

- preventing the stem neck from impinging on the inner edge of the ceramic liner;
- securing the fixation of the PEXEL® and PEXEL®-E liners while preserving the integrity of the conical seating.

La cupule FREELINER® intègre un rebord équatorial de 2,6mm dont la fonction est double :

- empêcher le contact entre le col de la tige et le bord de l'insert céramique,
- maintenir et orienter les inserts PEXEL® et PEXEL®-E tout en évitant d'altérer la portée conique dans la cupule.



- Cup with no peripheral rim (A): the stem neck impinges on the ceramic liner = increased failure risk (chipping)
- Cup with peripheral rim (B): the stem neck impinges on the titanium rim = reduced failure risk
- Comparison (C): less than 2° of ROM reduction

- Cupule sans rebord équatorial (A) : contact col de tige sur céramique = risque accru de fissure sur "écaillage" (chipping)
- Cupule avec rebord équatorial (B) : contact col de tige sur cupule = risque d'écaillage réduit
- Comparaison (C) : réduction du débattement inférieure à 2°

Safety & Reproducibility*

*Sécurité et Reproductibilité de la technique d'implantation

The instrumentation of the FREELINER® cup allows the operator to pre-impact the liner on the table BEFORE introducing it into the patient's acetabulum. This possibility helps to control the axis of introduction of the liner into the cup, to make sure the fixation taper is clean and dry, and to easily calibrate the impaction force.

This surgical protocol which is specific to the FREELINER® cup has been developed in accordance with the Safety Reminder of the ceramic material manufacturer [1] which recommends to:

- make sure that the acetabular cup and the ceramic insert are clean dry and not damaged,
- carefully assemble the components,
- confirm proper assembly and then impact,

L'instrumentation de la cupule FREELINER® permet de pré-impacter l'insert céramique dans la cupule AVANT sa mise en place dans le cotyle du patient. Ceci garantit une surface de fixation propre et sèche à l'interface des 2 pièces, et facilite la mise en place de l'insert dans l'axe de la cupule et le dosage de son impaction. Ce protocole opératoire spécifique à la cupule FREELINER® est conforme aux recommandations (Safety Reminder [1]) éditées par le fabricant du matériau céramique qui conseillent :

- de s'assurer que la cupule et l'insert céramique sont propres, secs et non abîmés,
- d'assembler les composants avec attention et de vérifier au doigt leur alignement,
- de confirmer le bon positionnement, puis d'impacter dans l'axe de la cupule.



Freeliner®

| Ref. Cup. | FREELINER cup/cupule | Ref. Liner | | | | | |
|-------------|--------------------------|--------------------------|--------------------------|--------------------------|----------------|----------------|----------------|
| | | Ø28 UHMWPE "PEXEL" | Ø32 XLPE "PEXEL-E" | Ø36 XLPE "PEXEL-E" | Ø32 CERAMIC | Ø36 CERAMIC | Ø40 CERAMIC |
| H75 4428* | FREELINER cup/cupule Ø44 | H75 P4428 | | | | | |
| H75 4640 | FREELINER cup/cupule Ø46 | H75 P4028 | H75 XE4032 | | H75 C4032 | | |
| H75 4840 | FREELINER cup/cupule Ø48 | | | | | | |
| H75 5044 | FREELINER cup/cupule Ø50 | H75 P4428 | H75 XE4432 | H75 XE4436 | | | |
| H75 5244 | FREELINER cup/cupule Ø52 | | | | H75 C4436 | | |
| H75 5448 | FREELINER cup/cupule Ø54 | H75 P4828 | H75 XE4832(*) | H75 XE4836 | | H75 C4836 | H75 C4840 |
| H75 5648 | FREELINER cup/cupule Ø56 | | | | | | |
| H75 5850 | FREELINER cup/cupule Ø58 | H75 P5028 | H75 XE5032(*) | H75 XE5036 | | H75 C5036 | H75 C5040 |
| H75 6050 | FREELINER cup/cupule Ø60 | | | | | | |
| H75 6254 | FREELINER cup/cupule Ø62 | | | | | | |
| H75 6454(*) | FREELINER cup/cupule Ø64 | H75 P5428 | H75 XE5432(*) | H75 XE5436 | | H75 C5436 | H75 C5440 |
| H75 6654(*) | FREELINER cup/cupule Ø66 | | | | | | |



A colour code (red, yellow, blue, orange, green, pink) facilitates the cup and liner size match. Example for a 58mm cup, the colour code is "green": once the material and the inner diameter are selected, choose the corresponding liner along the green line.
 Un code couleur (rouge, jaune, bleu, orange, vert, rose) facilite la correspondance entre la cupule et l'insert. Exemple pour une cupule de diamètre 58, il faudra sélectionner l'insert identifié par une couleur "verte" dans le frottement et le diamètre de couple souhaité.

(*) References available only on special request
 Références disponibles sur demande spéciale

Acetabular screw / vis à cotyle

| | Length Longueur | Ref. |
|----------------|--------------------|------------|
| Ø6.0 Screw/Vis | 20 mm | H15 SB6020 |
| Ø6.0 Screw/Vis | 25 mm | H15 SB6025 |
| Ø6.0 Screw/Vis | 30 mm | H15 SB6030 |
| Ø6.0 Screw/Vis | 35 mm | H15 SB6035 |
| Ø6.0 Screw/Vis | 40 mm | H15 SB6040 |
| Ø6.0 Screw/Vis | 45 mm | H15 SB6045 |
| Ø6.0 Screw/Vis | 50 mm | H15 SB6050 |

Evolutis
MOTION INSIDE



Material / Matériau

Cup: Ti6V titanium alloy according ISO 5832-3. Porous titanium and Calcium hydroxyapatite coating.
 Liner: UHMWPE according ISO 5834-1 and 2, or Composite Ceramic according ISO 6474-2
 Packaging: vacuum packed and gamma ray sterilized
 Cupule: alliage de titane Ti6V selon ISO 5832-3. Revêtement bicouche Titane poreux et HAC
 Vis: alliage de titane Ti6V selon ISO 5832-3
 Insert: UHMWPE selon ISO 5834-1 et 2 ou Céramique composite selon ISO 6474-2
 Conditionnement: emballage sous vide. Stérilisation rayons gamma.

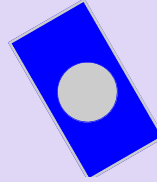
Mentions légales

Les implants FREELINER sont des dispositifs médicaux implantables de classe III indiqués pour les arthroplasties primaires totales (PTH) de la hanche.
 Les implants FREELINER sont pris en charge par l'assurance maladie sous certaines conditions. Pour plus de précision, merci de vous rendre sur le site www.ameli.fr.
 Le chirurgien est expressément invité à lire les instructions mentionnées sur la notice d'utilisation incluse dans le conditionnement du DM, ainsi que le manuel de technique opératoire délivré à la mise en place du produit ou disponible en téléchargement sur le site www.evolutisfrance.com.



12/14

FEMORAL



HEADS

Stainless Steel, Cobalt-Chrome, Ceramic



Stainless steel ISO5832-9 standard

| | |
|----------|---|
| H11 1220 | Stainless steel Ø 22.2 mm short -2 |
| H11 1221 | Stainless steel Ø 22.2 mm medium 0 |
| H11 1222 | Stainless steel Ø 22.2 mm long +2 |
| H11 1279 | Stainless steel Ø 28 mm extra short -7* |
| H11 1280 | Stainless steel Ø 28 mm short -3.5 |
| H11 1281 | Stainless steel Ø 28 mm medium 0 |
| H11 1282 | Stainless steel Ø 28 mm long +3.5 |
| H11 1283 | Stainless steel Ø 28 mm extra long +7 |
| H11 1320 | Stainless steel Ø 32 mm short -4 |
| H11 1321 | Stainless steel Ø 32 mm medium 0 |
| H11 1322 | Stainless steel Ø 32 mm long +4 |
| H11 1323 | Stainless steel Ø 32 mm extra long +8 |

Composite Alumina ISO 6474 **biolox**

| | |
|-----------|---|
| H14 C1280 | Alumina Composite Ø 28 mm short -3.5 |
| H14 C1281 | Alumina Composite Ø 28 mm med 0 |
| H14 C1282 | Alumina Composite Ø 28 mm long +3.5 |
| H14 C1283 | Alumina Composite Ø 28 mm long +7 |
| H14 C1320 | Alumina Composite Ø 32 mm short -3.5 |
| H14 C1321 | Alumina Composite Ø 32 mm medium 0 |
| H14 C1322 | Alumina Composite Ø 32 mm long +3.5 |
| H14 C1323 | Alumina Composite Ø 32 mm long +8** |
| H14 C1360 | Alumina Composite Ø 36 mm short -4 |
| H14 C1361 | Alumina Composite Ø 36 mm med 0 |
| H14 C1362 | Alumina Composite Ø 36 mm long +4 |
| H14 C1363 | Alumina Composite Ø 36 mm extra long +8** |
| H14 C1400 | Alumina Composite Ø 40 mm short -4 |
| H14 C1401 | Alumina Composite Ø 40 mm med 0 |
| H14 C1402 | Alumina Composite Ø 40 mm long +4 |
| H14 C1403 | Alumina Composite Ø 40 mm long +8** |

Cobalt-Chrome ISO5832-12 standard

| | |
|----------|-------------------------------------|
| H10 1220 | Cobalt Chrome Ø 22.2 mm short -2 |
| H10 1221 | Cobalt Chrome Ø 22.2 mm medium 0 |
| H10 1222 | Cobalt Chrome Ø 22.2 mm long +2 |
| H10 1223 | Cobalt Chrome Ø 22.2 mm long +4 |
| H10 1280 | Cobalt Chrome Ø 28 mm short -3.5 |
| H10 1281 | Cobalt Chrome Ø 28 mm medium 0 |
| H10 1282 | Cobalt Chrome Ø 28 mm long +3.5 |
| H10 1283 | Cobalt Chrome Ø 28 mm extra long +7 |
| H10 1320 | Cobalt Chrome Ø 32 mm short -4 |
| H10 1321 | Cobalt Chrome Ø 32 mm medium 0 |
| H10 1322 | Cobalt Chrome Ø 32 mm long +4 |
| H10 1323 | Cobalt Chrome Ø 32 mm extra long +8 |
| H10 1360 | Cobalt Chrome Ø 36 mm short -4 |
| H10 1361 | Cobalt Chrome Ø 36 mm medium 0 |
| H10 1362 | Cobalt Chrome Ø 36 mm long +4 |
| H10 1363 | Cobalt Chrome Ø 36 mm extra long +8 |

Alumina ISO 6474 standard

| | |
|----------|------------------------------------|
| H14 1270 | Alumina Ceramic Ø 28 mm short -3.5 |
| H14 1271 | Alumina Ceramic Ø 28 mm medium 0 |
| H14 1272 | Alumina Ceramic Ø 28 mm long +3.5 |
| H14 1310 | Alumina Ceramic Ø 32 mm short -4 |
| H14 1311 | Alumina Ceramic Ø 32 mm medium 0 |
| H14 1312 | Alumina Ceramic Ø 32 mm long +4 |
| H14 1350 | Alumina Ceramic Ø 36 mm short -4 |
| H14 1351 | Alumina Ceramic Ø 36 mm medium 0 |
| H14 1352 | Alumina Ceramic Ø 36 mm long +4 |

additional sizes on request

References

CAPITOLE dual mobility acetabular cup Cupule acétabulaire à double mobilité CAPITOLE

| Shell ϕ Cupule | Press-fit I | 2 pegs T 2 plots T | Cemented C Cimenté C | Revision R | Revision RA |
|---------------------|-------------|-----------------------|-------------------------|------------|-------------|
| ϕ 45 | H51 I245 | H51 T245 | H51 C045 | - | - |
| ϕ 47 | H51 I247 | H51 T247 | H51 C047 | H51 R247 | H51 RA247 |
| ϕ 49 | H51 I249 | H51 T249 | H51 C049 | H51 R249 | H51 RA249 |
| ϕ 51 | H51 I251 | H51 T251 | H51 C051 | H51 R251 | H51 RA251 |
| ϕ 53 | H51 I253 | H51 T253 | H51 C053 | H51 R253 | H51 RA253 |
| ϕ 55 | H51 I255 | H51 T255 | H51 C055 | H51 R255 | H51 RA255 |
| ϕ 57 | H51 I257 | H51 T257 | H51 C057 | H51 R257 | H51 RA257 |
| ϕ 59 | H51 I259 | H51 T259 | H51 C059 | H51 R259 | H51 RA259 |
| ϕ 61 | H51 I261 | H51 T261 | H51 C061 | H51 R261 | H51 RA261 |
| ϕ 63 | H51 I263 | H51 T263 | | H51 R263 | H51 RA263 |
| ϕ 65 | - | - | | H51 R265 | - |

CAPITOLE dual mobility liner Insert à double mobilité CAPITOLE

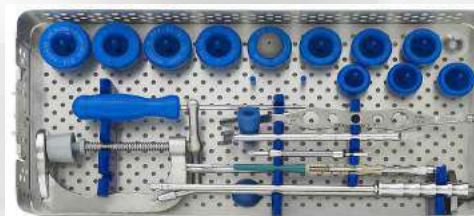
| Liner ϕ Insert | Inner ϕ Interne 22.2 PE | Inner ϕ Interne 28 PE | Inner ϕ Interne 28 Ceramic |
|---------------------|---------------------------------|-------------------------------|------------------------------------|
| ϕ 45 | H51 M2245 | - | - |
| ϕ 47 | H51 M2247 | H51 M2847 | - |
| ϕ 49 | H51 M2249 | H51 M2849 | - |
| ϕ 51 | H51 M2251 | H51 M2851 | H61 MA2850 |
| ϕ 53 | H51 M2253 | H51 M2853 | H61 MA2852 |
| ϕ 55 | H51 M2255 | H51 M2855 | H61 MA2854 |
| ϕ 57 | H51 M2257 | H51 M2857 | H61 MA2856 |
| ϕ 59 | H51 M2259 | H51 M2859 | H61 MA2858 |
| ϕ 61 | H51 M2261 | H51 M2861 | H61 MA2860 |
| ϕ 63 | H51 M2263 | H51 M2863 | - |
| ϕ 65 | H51 M2265 | H51 M2865 | - |

Screws and Pegs Vis et plots

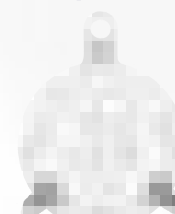
| Description | ϕ (mm) | L. (mm) | Cat N° |
|--|-------------|---------|-----------|
| Cortical screw / Vis corticale | 5 | 35 | H16 S5035 |
| Cortical screw / Vis corticale | 5 | 40 | H16 S5040 |
| Cortical screw / Vis corticale | 5 | 45 | H16 S5045 |
| Cortical screw / Vis corticale | 5 | 50 | H16 S5050 |
| Cortical screw / Vis corticale | 5 | 55 | H16 S5055 |
| Cortical screw / Vis corticale | 5 | 60 | H16 S5060 |
| Tripode pegs (set of 2) Plots Tripode (par 2) | 7 | 15 | H51 P2715 |



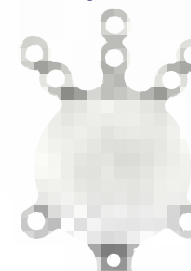
Instrumentation
CAPITOLE
H52 9100



Capitole I



Capitole T



Capitole R



Capitole RA

Mentions légales :
Les implants CAPITOLE sont des dispositifs médicaux implantables de classe III indiqués pour les arthroplasties primaires totales (PTH) ou en révision (PTHR) de la hanche selon la version.
Les implants CAPITOLE sont pris en charge par l'assurance maladie. Informations sur www.ameli.fr.
Le chirurgien est expressément invité à lire attentivement les instructions mentionnées sur la notice d'utilisation incluse avec le conditionnement du DMI, ainsi que le manuel de technique opératoire délivré à la mise en place du produit ou disponible en téléchargement sur le site www.evolutisfrance.com.

Materials / Matériaux :
Cups: High Nitrogen Content Stainless steel according ISO 5832-9 coated with porous T40 and Calcium Hydroxyapatite
Liners: UHMWPE according ISO 5834-1 & 2
Screws: Stainless steel according ISO 5832-1
Pegs: titanium alloy (TA6V) according ISO 5832-3
Packaging: Sterilized under Gamma irradiation, VacUpac packaging
Cupules: Acier inoxydable à Haute Teneur en Azote selon ISO 5832-9 revêtu T40 poreux et Hydroxyapatite
Inserts: UHMWPE selon ISO 5834-1 et 2
Vis: Acier inoxydable selon ISO 5832-1
Plots: alliage de titane (TA6V) selon ISO 5832-3
Conditionnement: Stérilisé sous rayonnement Gamma, conditionnement VacUpac



Designed and
Manufactured in
France

Evolutis

CREATEUR | FABRICANT



Minimally Invasive
Hip Surgery
Dedicated Instruments

*Chirurgie Mini-Invasive
de Hanche
Instruments dédiés*

Rasp Handles

Manches Porte-Râpe

Double-Offset Antero-Lateral Handle

Manche Antéro-Externe Double Offset

H01 067 & H01 068



40° Anterior Handle
Manche Antérieure à 40°

H01 065

Curved Posterior Handle

Manche Postérieur Courbe

H01 066



H01 067 & H01 068

Cup Impaction Handles

Manches pour Cupule

Curved Handle for Standard Cup

Manche Courbe pour Cupule Standard

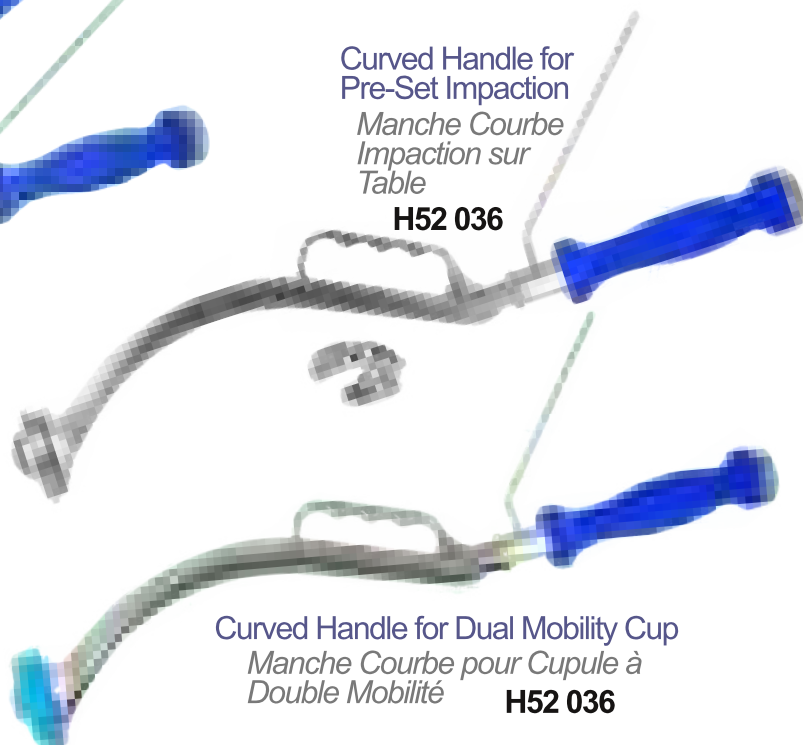
H76 001



Curved Handle for Pre-Set Impaction

Manche Courbe Impaction sur Table

H52 036



Freeliner Pre-Set Impaction Plate

Platine d'Impaction sur Table (Freeliner)

H76 012 to/à H76 017



Dual Mobility Impaction Plate

Platine d'Impaction pour Double Mobilité

H52 P45 to/à H52 P65

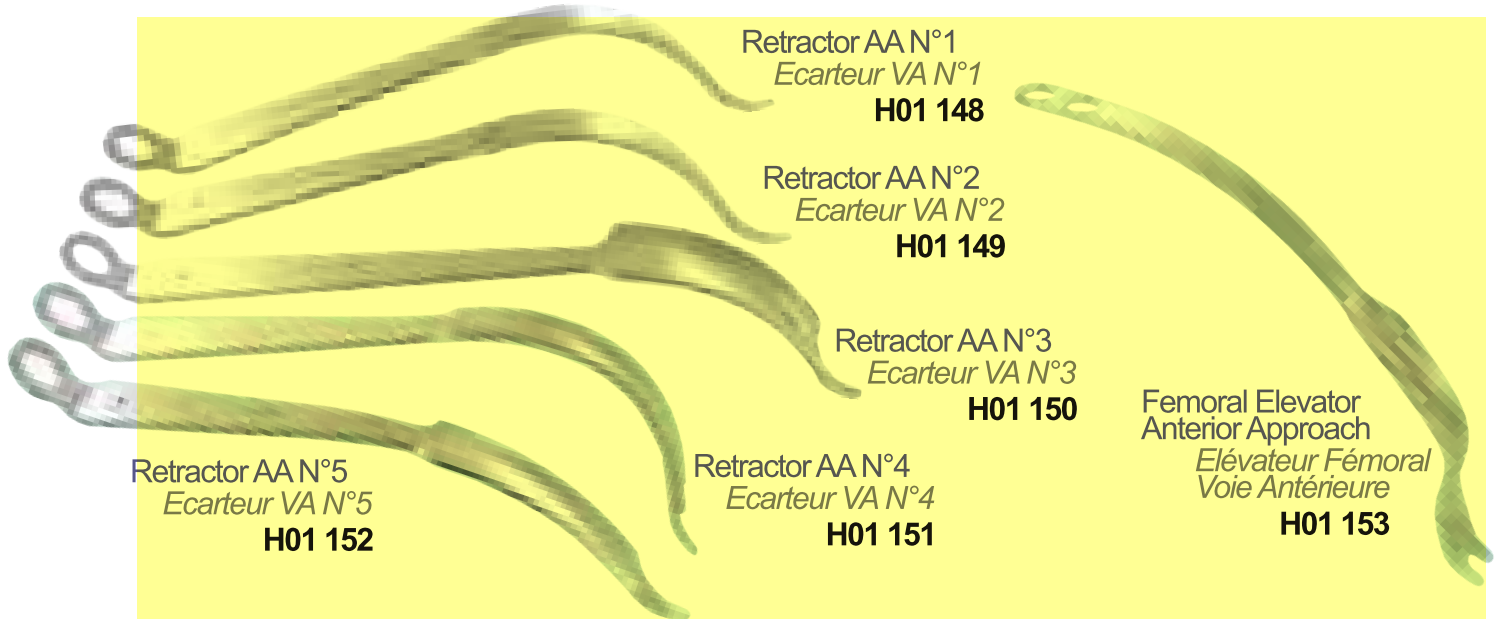


Curved Handle for Dual Mobility Cup

Manche Courbe pour Cupule à Double Mobilité

H52 036

Retractors for Anterior Approach *Ecarteurs pour Voie Antérieure*



Retractor AA N°1
Ecarteur VA N°1
H01 148

Retractor AA N°2
Ecarteur VA N°2
H01 149

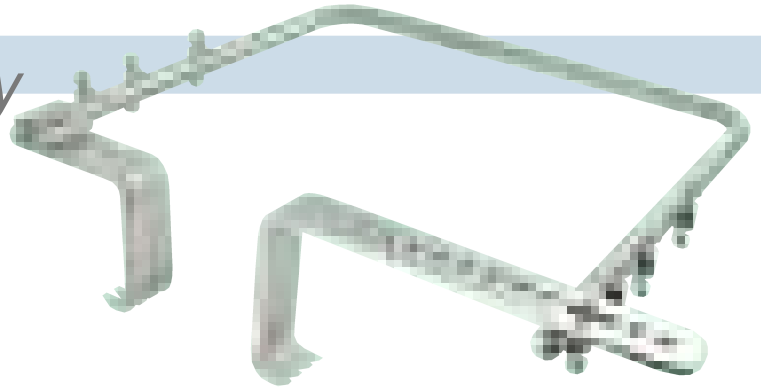
Retractor AA N°3
Ecarteur VA N°3
H01 150

Femoral Elevator
Anterior Approach
*Élévateur Fémoral
Voie Antérieure*
H01 153

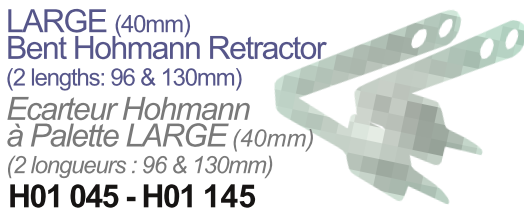
Retractor AA N°5
Ecarteur VA N°5
H01 152

Retractor AA N°4
Ecarteur VA N°4
H01 151

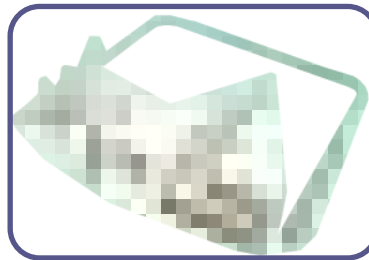
Charnley Frame *Cadre de Charnley*



NARROW (25mm) Bent Hohmann Retractor
(2 lengths: 96 & 130mm)
Ecarteur Hohmann à Palette FINE (25mm)
(2 longueurs : 96 & 130mm)
H01 046 - H01 146



LARGE (40mm) Bent Hohmann Retractor
(2 lengths: 96 & 130mm)
Ecarteur Hohmann à Palette LARGE (40mm)
(2 longueurs : 96 & 130mm)
H01 045 - H01 145



Charnley Frame only
Cadre seul **H01 041**

Short Blade (Fixed) 2 lengths: 62 & 82mm
Crochet Court (Fixe) 2 longueurs : 62 et 82mm
H01 043 - H01 050

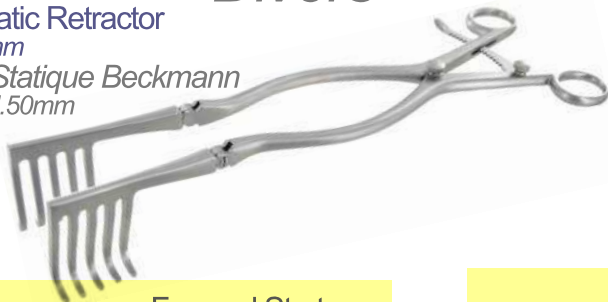
Long Blade (Adjustable) 2 lengths: 72 & 92mm
Crochet Long (Réglable) 2 longueurs : 72 & 92mm
H01 042 - H01 044

Miscellaneous *Divers*

Beckmann Static Retractor
L.300mm H.50mm

Ecarteur Statique Beckmann
L.300mm H.50mm

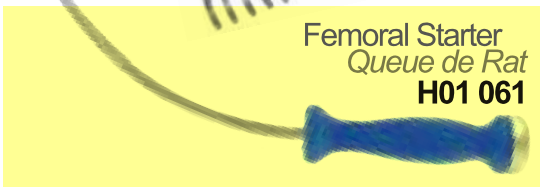
B80 566



Femoral Elevator
Posterior Approach
*Élévateur Fémoral
Voie Postérieure*
H01 047



Femoral Starter
Queue de Rat
H01 061



Offset Acetabular
Reamer Handle
*Manche de Fraise
à Cotyle Décalé*

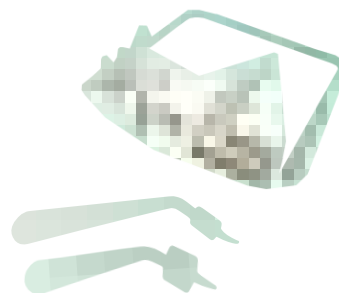


REFERENCES

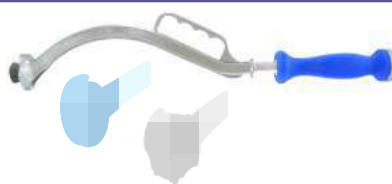
| | |
|--|-------------------|
| <i>Manche de Râpe Courbe voie Post.</i> Curved Rasp Handle Post. approach | H01 066 |
| <i>Manche de Râpe 40° voie Ant.</i> 40° Rasp Handle Ant. Approach | H01 065 |
| <i>Manche de Râpe Double-Offset voie Ant.-Externe</i> Double-Offset Rasp Handle Ant.-Lateral approach | H01 067 & H01 068 |



| | |
|---|-------------------|
| <i>Ecarteur statique type "Charnley"</i> Charnley type frame | H01 041 |
| <i>Palette réglable pour écarteur statique (l. 72 ou 92mm)</i> Long static retractor blade for Charnley frame (l.72 or 92mm) | H01 042 & H01 044 |
| <i>Palette fixe pour écarteur statique (l. 62 ou 82mm)</i> Short static retractor blade for Charnley frame (l.62 or 82mm) | H01 043 & H01 050 |
| <i>Ecarteur Hohmann à palette FINE 25mm (l.96 ou 130mm)</i> NARROW 25mm Bent Hohmann retractor (l.96 or 130mm) | H01 045 & H01 145 |
| <i>Ecarteur Hohmann à palette LARGE 40mm (l.96 ou 130mm)</i> LARGE 40mm Bent Hohmann retractor (l.96 or 130mm) | H01 046 & H01 146 |



| | |
|--|----------------------|
| <i>Impacteur Cupule Courbe à Gâchette</i> Curved Cup Impactor with Trigger | H52 036 |
| <i>Platines pour Impaction DM</i> Impaction plates for DM cup | H52 P45 à/to H52 P65 |
| <i>Platines pour Impaction Sur Table Freelineer</i> Impaction Plates for Pre-set Freelineer | H76 012 à/to H76 017 |



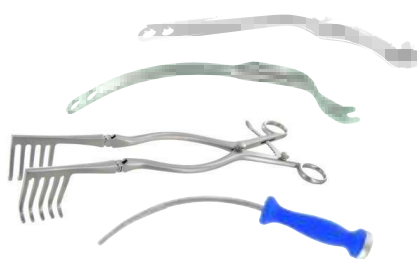
| | |
|---|---------|
| <i>Impacteur Cupule Courbe à Vis</i> Curved Cup Impactor with Screw | H76 001 |
| <i>Tournevis pour Manche Cupule Courbe</i> Screwdriver for Curved Cup Handle | H76 003 |
| <i>Vis pour Manche Cupule Courbe</i> Screw for Curved Cup Handle | H76 002 |
| <i>Tige de version à 45°</i> 45° version alignment rod | H76 019 |



| | |
|--|---------|
| <i>Ecarteur Voie Antérieure #1</i> #1 Anterior Approach retractor | H01 148 |
| <i>Ecarteur Voie Antérieure #2</i> #2 Anterior Approach retractor | H01 149 |
| <i>Ecarteur Voie Antérieure #3</i> #3 Anterior Approach retractor | H01 150 |
| <i>Ecarteur Voie Antérieure #4</i> #4 Anterior Approach retractor | H01 151 |
| <i>Ecarteur Voie Antérieure #5</i> #5 Anterior Approach retractor | H01 152 |



| | |
|--|---------|
| <i>Elévateur Fémur voie POST.</i> Femoral Elevator POST. Approach | H01 047 |
| <i>Elévateur Fémur voie ANT.</i> Femoral Elevator ANT. Approach | H01 153 |
| <i>Ecarteur Statique Beckmann 300mm</i> Beckmann Static retractor 300mm | B80566 |
| <i>Queue de Rat</i> Femoral Starter | H01 061 |



Evolutis
MOTION INSIDE



Evolutis

Avenue de la Libération, 42720 Briennon, France
Tel : +33. (0)477.60.79.99 – Fax : +33. (0)477.60.79.90



Designed and
Manufactured in
France

www.evolutisfrance.com

Evolutis
CREATEUR FABRICANT



*Dual
Mobility
Experience*



Captiv[®] DM



*Dual Mobility
Acetabular Cup*

*Cupule à Double
Mobilité*

Evolutis
MOTION INSIDE

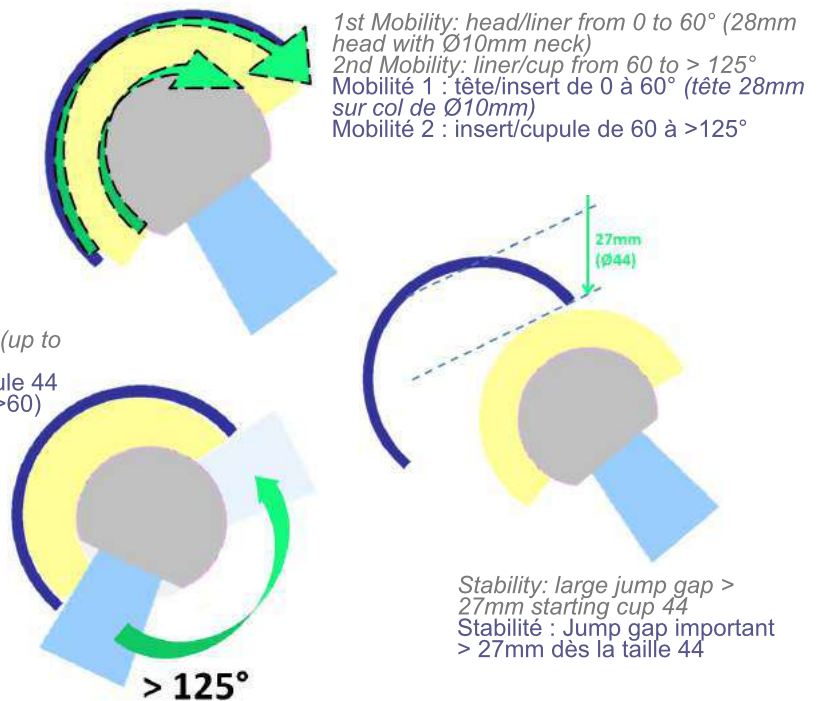


Created in St Etienne (France) in the mid 70's, the dual mobility concept has progressively evolved to provide a comprehensive answer to both patients and surgeons expectations in terms of security of use and longevity. Due to a very high intrinsic joint stability (1) and a resistance to wear at least equivalent to conventional fixed bearings PE friction devices (2), the dual mobility cups account for more than 25% of the acetabular cups implanted in France.

Imaginée à St Etienne au milieu des années 70, la double mobilité a su évoluer pour apporter une réponse cohérente aux attentes des patients et de leur chirurgien pour plus de sécurité et de longévité. En raison d'une stabilité intra-articulaire très importante (1) et d'une résistance à l'usure au moins équivalente aux couples PE classiques (2), les cupules à double mobilité représentent aujourd'hui plus de 25% des implants acétabulaires utilisés en France.



ROM > 125° for cup 44 (up to 140° for larger cups)
Mobilité > 125° pour cupule 44 (jusqu'à 140° pour cup. >60)



Main indications:

- primary arthritis for patients over 70
- fractured femoral necks in active patients
- primary arthritis for non compliant patients (dementia, alcohol...)
- primary arthritis for joint laxity (neuromuscular disorders, cerebral palsy, rheumatoid arthritis...)
- hip prosthesis revisions

Indications principales :

- arthroses primaires chez le patient de plus de 70 ans
- fractures de col fémoral chez le patient actif
- arthropathies sévères associées à une laxité intra-articulaire (déficients neuromusculaires...)
- arthropathies sévères chez les patients à comportement irrationnel (pathologies nerveuses, comportements addictifs...)
- révisions de prothèses de hanche

(1) Survival of the cementless Bousquet dual mobility cup: Minimum 15 year follow up of 437 total hip arthroplasties. C. Latriidou, B.Lebel, G.Burdin, C.Vielpeau. University Hospital of Caen, France. Publication RCO, 2008, 94, 731 – 739

(2) Dual articulation retentive acetabular liners and wear: surface analysis of 40 retrieved polyethylene implants. P.Adam, F.Farizon, M-H Fessy. University Hospital St Etienne, France. Publication : RCO, 2005, 91, 627-636

Dual coating of Porous titanium and Hydroxyapatite

Revetement bi-couche T40 poreux et Hydroxyapatite

With or without spikes
Versions avec et sans picots

Cup size from Ø44 to 62

Gamme de cupule de Ø44 à 62



CAPTIV DM incorporates the knowledge acquired from almost 40 years of clinical use in hundreds of thousands of DM cups implanted worldwide:

- M30NW Iso 5832-9 forged stainless steel (improved friction characteristics)
- Dual coating of Porous titanium and Hydroxyapatite
- Equatorial press-fit completed with 3 rows of anchoring teeth
- Protrusion of the PE liner through reduction of cup thickness at the pole
- Moderately crosslinked PEXEL® polyethylene
- Liner including "positive excentration" design
- VacUpac conservation technology



CAPTIV DM intègre les acquis d'une expérience de presque 40 ans sur plusieurs centaines de milliers d'implants dans le monde :

- matériau M30NW Iso 5832-9 forgé (amélioration des caractéristiques de frottement)
- double revêtement titane poreux et hydroxyapatite
- macrostructure à 3 rangées de dentures associée à un sur-dimensionnement équatorial
- protrusion du centre de l'insert par réduction de la toile au niveau polaire
- insert polyéthylène PEXEL® moyennement réticulé
- insert à conception "positive excentration"
- technologie de conservation VacUpac

UHMWPE with positive excentration: dynamic control of the "third" articulation

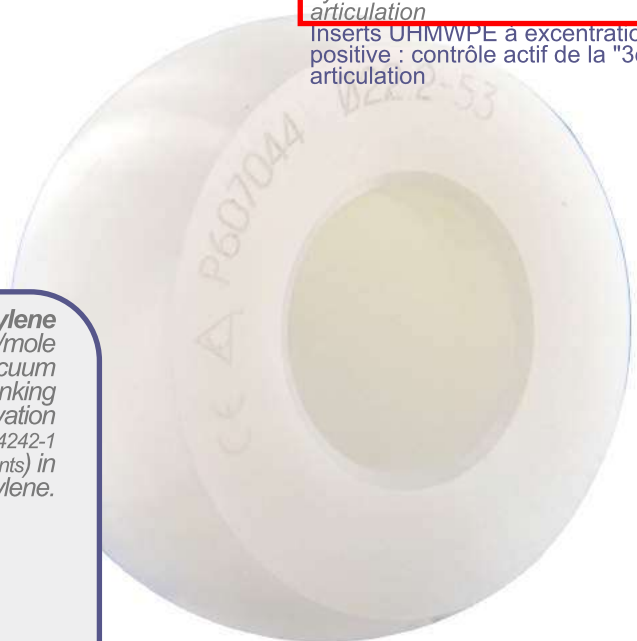
Inserts UHMWPE a excentration positive : contrôle actif de la "3ème" articulation

PEXEL® polyethylene

- initial molecular weight exceeding 7 millions of g/mole
- 40 kGy minimum gamma irradiation under vacuum creating crosslinking
- VacUpac vacuum conservation
- 50% Wear reduction (CERAH test according ISO 14242-1 and 14242-2, 5 millions cycles on shelf aged implants) in comparison to a conventional polyethylene.

Polyéthylène PEXEL®

- poids moléculaire initial supérieur à 7 millions de g/mole
- réticulation gamma à 40 kGy minimum
- conservation sous-vide VacUpac
- 50% de réduction d'usure (Test CERAH selon ISO 14242-1 et 14242-2, à 5 millions de cycles sur implants vieilliss sur étagère) par rapport à un polyéthylène conventionnel.



PEXEL® polyethylene liners Ø22 or 28 in UHMWPE
Inserts polyéthylène PEXEL® en Ø22. ou 28 en UHMWPE

Cupules CAPTIV® Acetabular cups

| Description | Ø | Réf. Cat N° | Description | Ø | Réf. Cat N° |
|---|----|----------------|---|----|----------------|
| HA ss ciment Press-Fit / C. less HA Press-Fit | 44 | H29 DM044 | HA ss. ciment av. picots / C. less HA with spikes | 44 | H29 DM144 |
| HA ss ciment Press-Fit / C. less HA Press-Fit | 46 | H29 DM046 | HA ss. ciment av. picots / C. less HA with spikes | 46 | H29 DM146 |
| HA ss ciment Press-Fit / C. less HA Press-Fit | 48 | H29 DM048 | HA ss. ciment av. picots / C. less HA with spikes | 48 | H29 DM148 |
| HA ss ciment Press-Fit / C. less HA Press-Fit | 50 | H29 DM050 | HA ss. ciment av. picots / C. less HA with spikes | 50 | H29 DM150 |
| HA ss ciment Press-Fit / C. less HA Press-Fit | 52 | H29 DM052 | HA ss. ciment av. picots / C. less HA with spikes | 52 | H29 DM152 |
| HA ss ciment Press-Fit / C. less HA Press-Fit | 54 | H29 DM054 | HA ss. ciment av. picots / C. less HA with spikes | 54 | H29 DM154 |
| HA ss ciment Press-Fit / C. less HA Press-Fit | 56 | H29 DM056 | HA ss. ciment av. picots / C. less HA with spikes | 56 | H29 DM156 |
| HA ss ciment Press-Fit / C. less HA Press-Fit | 58 | H29 DM058 | HA ss. ciment av. picots / C. less HA with spikes | 58 | H29 DM158 |
| HA ss ciment Press-Fit / C. less HA Press-Fit | 60 | H29 DM060 | HA ss. ciment av. picots / C. less HA with spikes | 60 | H29 DM160 |
| HA ss ciment Press-Fit / C. less HA Press-Fit | 62 | H29 DM062 | HA ss. ciment av. picots / C. less HA with spikes | 62 | H29 DM162 |

Inserts DM CAPTIV® DM Liners

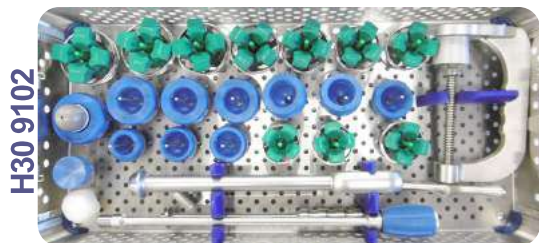
| Ø de cupule Ø of cup | Description | Tête / Head 22.2 | Ø | Tête / Head Ø 28 |
|-------------------------|----------------------------------|---------------------|-----------|---------------------|
| 44 | Insert UHMWPE PEXEL UHMWPE liner | H51 M2245 | | |
| 46 | Insert UHMWPE PEXEL UHMWPE liner | H51 M2247 | H51 M2847 | |
| 48 | Insert UHMWPE PEXEL UHMWPE liner | H51 M2249 | H51 M2849 | |
| 50 | Insert UHMWPE PEXEL UHMWPE liner | H51 M2251 | H51 M2851 | |
| 52 | Insert UHMWPE PEXEL UHMWPE liner | H51 M2253 | H51 M2853 | |
| 54 | Insert UHMWPE PEXEL UHMWPE liner | H51 M2255 | H51 M2855 | |
| 56 | Insert UHMWPE PEXEL UHMWPE liner | H51 M2257 | H51 M2857 | |
| 58 | Insert UHMWPE PEXEL UHMWPE liner | H51 M2259 | H51 M2859 | |
| 60 | Insert UHMWPE PEXEL UHMWPE liner | H51 M2261 | H51 M2861 | |
| 62 | Insert UHMWPE PEXEL UHMWPE liner | H51 M2263 | H51 M2863 | |



Instrumentation CAPTIV® Instrument Set

| Description | H30 9102 | | H30 9104 | | Description | H30 9102 | | H30 9104 | |
|--|----------------|---------------|----------------|---------------|---|----------------|---------------|----------------|---------------|
| | Droit/Straight | Courbe/Curved | Droit/Straight | Courbe/Curved | | Droit/Straight | Courbe/Curved | Droit/Straight | Courbe/Curved |
| Plateau avec couvercle / Tray with Lid | H30 9002 | H30 9004 | | | Préhenseur de cotyle Ø46-47 cup impaction tip | H52 2247 | H52 P47 | | |
| Corps d'impacteur / Cup impactor (body) | H52 007 | - | | | Préhenseur de cotyle Ø48-49 cup impaction tip | H52 2249 | H52 P49 | | |
| Vis d'impacteur / Cup impactor (Screw) | H52 008 | - | | | Préhenseur de cotyle Ø50-51 cup impaction tip | H52 2251 | H52 P51 | | |
| Manche impacteur courbe / Curved impaction shaft | - | H52 036 | | | Préhenseur de cotyle Ø52-53 cup impaction tip | H52 2253 | H52 P53 | | |
| Tige d'orientation Ø18 Orientation axis | H03 013 | H76 019 | | | Préhenseur de cotyle Ø54-55 cup impaction tip | H52 2255 | H53 P55 | | |
| Presse à insert / Liner press | | H52 033 | | | Préhenseur de cotyle Ø55-56 cup impaction tip | H52 2257 | H52 P57 | | |
| Vis de presse à insert / Liner press screw | | H52 030 | | | Préhenseur de cotyle Ø57-58 cup impaction tip | H52 2259 | H52 P59 | | |
| Centreur de tête / Femoral head centralizer | | H52 031 | | | Préhenseur de cotyle Ø59-60 cup impaction tip | H52 2261 | H52 P61 | | |
| Embout poussoir d'insert / Liner pusher tip | | H52 035 | | | Préhenseur de cotyle Ø62-63 cup impaction tip | H52 2263 | H52 P63 | | |
| Réducteur d'essai Ø22.2 trial insert adaptor | | H52 2228 | | | Cotyle d'essai Ø44 trial cup | | H03 0244 | | |
| Manche impacteur M10 Impaction shaft | | H03 036 | | | Cotyle d'essai Ø46 trial cup | | H03 0246 | | |
| Embout poussoir de cupule / Cup impaction tip | | H03 037 | | | Cotyle d'essai Ø48 trial cup | | H03 0248 | | |
| Sphère d'impaction / Impaction spherical tip | | H62 005 | | | Cotyle d'essai Ø50 trial cup | | H03 0250 | | |
| Insert d'essai Ø 22/44-45 trial liner | | H52 M2245 | | | Cotyle d'essai Ø52 trial cup | | H03 0252 | | |
| Insert d'essai Ø 28/46-47 trial liner | | H52 M2847 | | | Cotyle d'essai Ø54 trial cup | | H03 0254 | | |
| Insert d'essai Ø 28/48-49 trial liner | | H52 M2849 | | | Cotyle d'essai Ø56 trial cup | | H03 0256 | | |
| Insert d'essai Ø 28/50-51 trial liner | | H52 M2851 | | | Cotyle d'essai Ø58 trial cup | | H03 0258 | | |
| Insert d'essai Ø 28/52-53 trial liner | | H52 M2853 | | | Cotyle d'essai Ø60 trial cup | | H03 0260 | | |
| Insert d'essai Ø 28/54-55 trial liner | | H52 M2855 | | | Cotyle d'essai Ø62 trial cup | | H03 0262 | | |
| Insert d'essai Ø 28/56-57 trial liner | | H52 M2857 | | | | | | | |
| Insert d'essai Ø 28/58-59 trial liner | | H52 M2859 | | | | | | | |
| Insert d'essai Ø 28/60-61 trial liner | | H52 M2861 | | | | | | | |
| Insert d'essai Ø 28/62-63 trial liner | | H52 M2863 | | | | | | | |
| Préhenseur de cotyle Ø44-45 cup impaction tip | H52 2245 | H52 P45 | | | | | | | |

| Options | Réf. Cat N° |
|---|----------------|
| Tige d'orientation Ø12 Orientation axis (Tommy bar) | H03 007 |
| Instrum. fraises à cotyle / Grater Reamer set | H03 9100 |



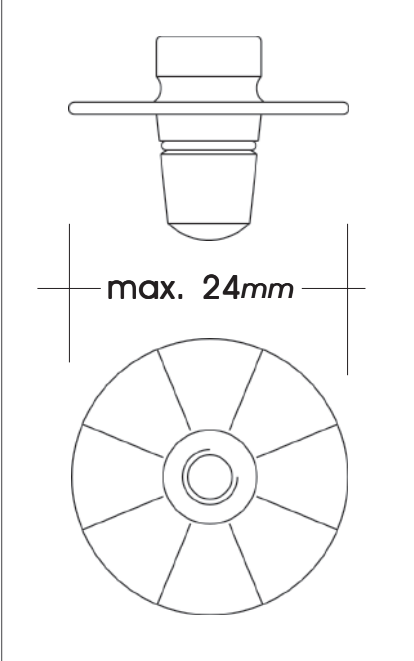

Mentions légales :
 Les implants CAPTIV DM sont des dispositifs médicaux implantables de classe III indiqués pour les arthroplasties primaires totales (PTH) de la hanche.
 Les implants CAPTIV DM sont pris en charge par l'assurance maladie.
 Le chirurgien est expressément invité à lire attentivement les instructions mentionnées sur la notice d'utilisation incluse dans le conditionnement du DMI, ainsi que le manuel de technique opératoire délivré à la mise en place du produit ou disponible en téléchargement sur le site www.evolutisfrance.com.

Materials / Matériaux :
 Cups: High Nitrogen content Stainless Steel according ISO 5832-9 with T40 and calcium hydroxyapatite coatings
 Polyethylene liners: UHMWPE according ISO 5834-1 & 2 moderately crosslinked
 Packaging: Sterilized under Gamma irradiation, VacUpac packaging
 Cupules : Acier Inoxydable à haute teneur en azote selon ISO 5832-9 revêtu T40 et Hydroxyapatite de Calcium
 Inserts polyéthylène : UHMWPE selon ISO 5834-1 et 2 modérément réticulé
 Conditionnement : Stérilisé sous rayonnement Gamma, conditionnement VacUpac



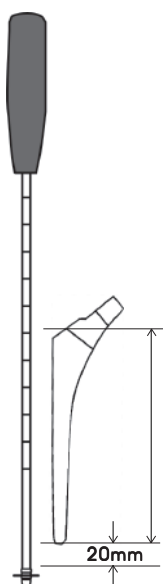
PRODUCT TECHNICAL INFORMATION SHEET

AVAILABLE SIZES

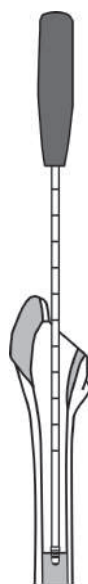
| | | |
|--|--|------------------|
|  <p>max. 24mm</p> | UNIVERSAL CEMENT RESTRICTOR | |
| | | <i>reference</i> |
| | | 88000 |
| | INSTRUMENTS | |
| | | <i>reference</i> |
| | Graduated positioning Handle | S88000 |
| |  | |

IMPLANTATION PROCEDURE

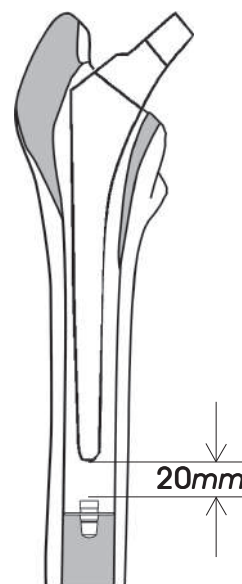
For device positioning into the medullary canal, screw the Cement Restrictor onto the Graduated Positioning Handle.



Determine the depth for device insertion referring to the length of the prosthesis, leaving max. 20mm. between the the distal tip of the stem.



Insert the Restrictor to the desired depth and remove the Positioning Handle by unscrewing.



Fill the medullary canal with bone cement and insert the prosthesis.