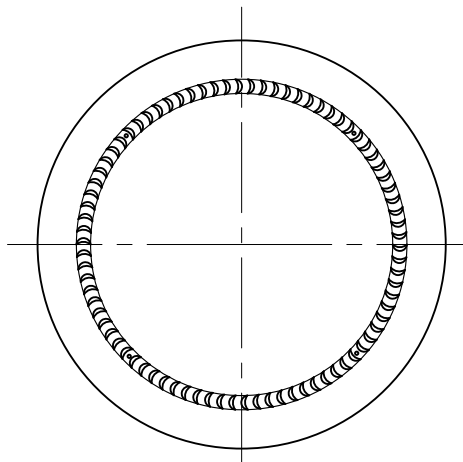
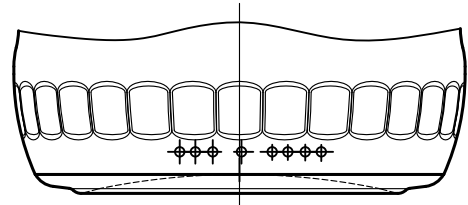
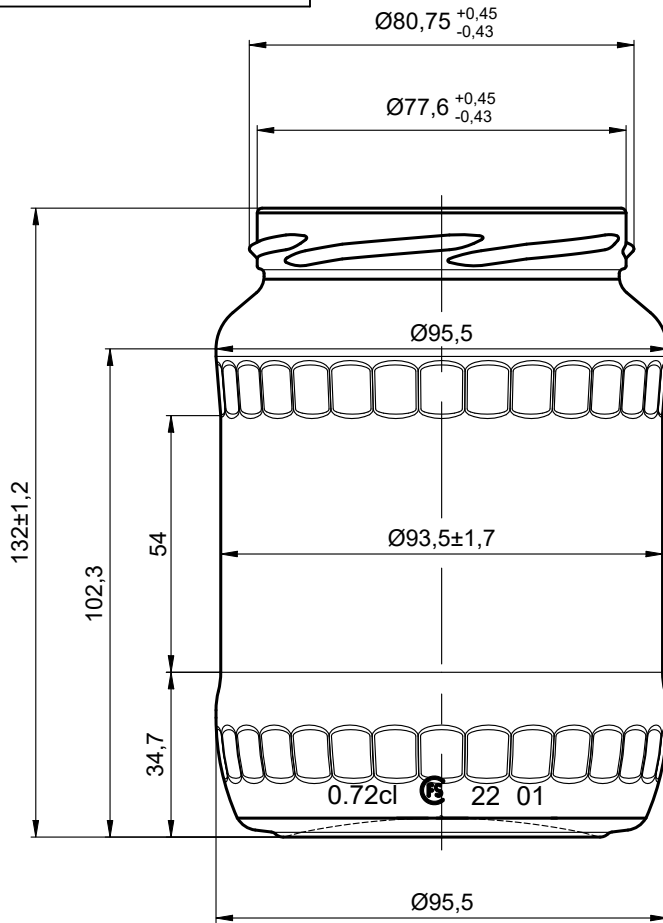


A.73



Bottom view

Characteristics

Full capacity, cm^3 - 720 ± 10
 Weight recommended, g - 290

Thickness of walls not less, mm - 1.2
 Thickness of a bottom not less, mm - 2.0
 Thermal stability, difference of temperatures, not less, $^{\circ}\text{C}$ - 40
 Internal hydrostatic pressure not less, kgf/cm^2 - 3
 Resistance to effort of compression not less, N - 2200

Change	Letter	Document N	Signature	Date
Designed		Cosovschi P.		24.03.25
Constr.principal		Cosovschi P.		24.03.25
Dir.of manuf.		Baltaji I.		

A.73

Jar
 III-82-720
 "Faceted"

Letter Weight Scale

1:1

Sheet 1 Sheets 3

Flint

