



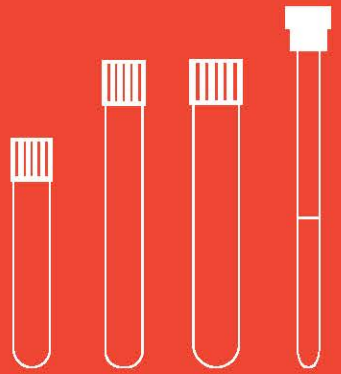
Vacuum • Non-Vacuum • Glass • Pet

BLOOD COLLECTION TUBE

CHANGSHA RENJI MEDICAL EQUIPMENT CO., LTD.

WWW.RENJIGROUP.COM

TABLE OF CONTENTS





K2EDTA

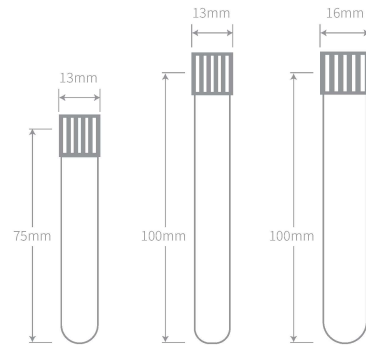
Intended to be used in hematology laboratory for withdrawing Whole blood or EDTA Plasma in order to examine various kinds of blood cells.

Tubes manufactured using transparent PET or Glass. Caps manufactured using polyethylene.

Specimen: whole blood.

After taking blood into the tube it should be mixed by turning 6-8 times. Lack of mixing can also cause platelet aggregation, coagulation or formation of micro clots.

■ In addition, we can provide EDTA blood collection tube with Na₂EDTA as additive. If you need to order, please contact our sales manager.



All tubes are with labels and push caps.

REF Vacuum	REF Non-Vacuum	Additive	Cap Color	Tube Size (mm)	Draw Volume (ml)	Tube Material	Pack/Carton
C102010	C202010	K2EDTA	Purple	13×75	1	PET	100PCS/1200 PCS
C102020	C202020				2		
C102030	C202030				3		
C102040	C202040				4		
C102050	C202050			13×100	5		
C102060	C202060				6		
C102070	C202070				7		
C102080	C202080			16×100	8		
C102090	C202090				9		
C102100	C202100				10		

VACUUM



K3EDTA

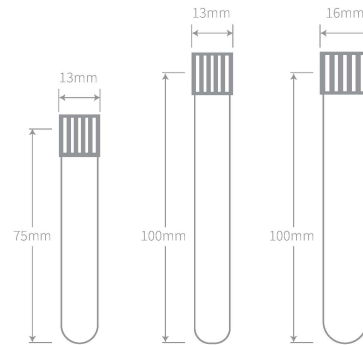
Intended to be used in hematology laboratory for withdrawing Whole blood or EDTA Plasma in order to examine various kinds of blood cells.

Tubes manufactured using transparent PET or Glass.Caps manufactured using polyethylene.

Specimen: whole blood.

After taking blood into the tube it should be mixed by turning 6-8 times. Lack of mixing can also cause platelet aggregation, coagulation or formation of micro clots.

■ In addition, we can provide EDTA blood collection tube with Na2EDTA as additive. If you need to order, please contact our sales manager.



All tubes are with labels and push caps.

REF Vacuum	REF Non-Vacuum	Additive	Cap Color	Tube Size (mm)	Draw Volume (ml)	Tube Material	Pack/Carton
C103010	C203010	K3EDTA	Purple	13×75	1	PET	100PCS/1200 PCS
C103020	C203020				2		
C103030	C203030				3		
C103040	C203040				4		
C103050	C203050			13×100	5		
C103060	C203060				6		
C103070	C203070				7		
C103080	C203080			16×100	8		
C103090	C203090				9		
C103100	C203100				10		



Lithium Heparin

Heparin is a natural anticoagulant which presents in any healthy body. Heparin is used to take the plasma and in chemical researches.

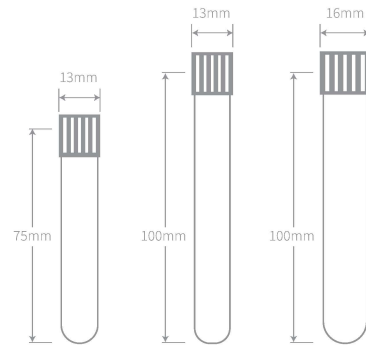
Heparin Blood Collection Tubes are intended to be used for analysis of blood withdrawn from patients under anticoagulant therapy.

The anticoagulant heparin activates antithrombin, thus blocking the coagulation cascade and producing a whole blood / plasma sample making it ideal for the analysis.

Tubes manufactured using transparent PET or Glass. Caps manufactured using polyethylene.

Specimen: heparin plasma.

Conditions of centrifugation: 1300 g for 10 minutes.



All tubes are with labels and push caps.

REF Vacuum	REF Non-Vacuum	Additive	Cap Color	Tube Size (mm)	Draw Volume (ml)	Tube Material	Pack/Carton
C106020	C206020	Lithium Heparin	Green	13×75	2	PET	100PCS/1200 PCS
C106030	C206030				3		
C106040	C206040				4		
C106050	C206050			5			
C106060	C206060			6			
C106070	C206070			7			
C106080	C206080			8			
C106090	C206090			9			
C106100	C206100			10			



Sodium Heparin

Heparin is a natural anticoagulant which presents in any healthy body. Heparin is used to take the plasma and in chemical researches.

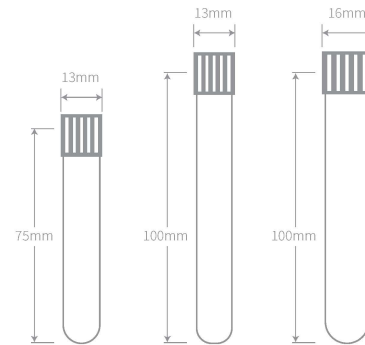
Heparin Blood Collection Tubes are intended to be used for analysis of blood withdrawn from patients under anticoagulant therapy.

The anticoagulant heparin activates antithrombin, thus blocking the coagulation cascade and producing a whole blood / plasma sample making it ideal for the analysis.

Tubes manufactured using transparent PET or Glass. Caps manufactured using polyethylene.

Specimen: heparin plasma.

Conditions of centrifugation: 1300 g for 10 minutes.



All tubes are with labels and push caps.

REF Vacuum	REF Non-Vacuum	Additive	Cap Color	Tube Size (mm)	Draw Volume (ml)	Tube Material	Pack/Carton
C107020	C207020	Sodium Heparin	Green	13×75	2	PET	100PCS/1200 PCS
C107030	C207030				3		
C107040	C207040				4		
C107050	C207050			5			
C107060	C207060			6			
C107070	C207070			7			
C107080	C207080			8			
C107090	C207090			9			
C107100	C207100			10			
				16×100			



EDTA & NaF

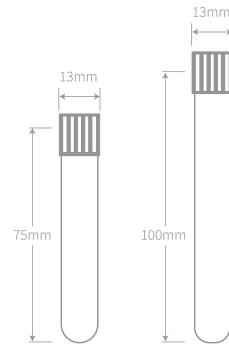
EDTA & NaF Blood Collection Tube is also called blood glucose tube or fluoride tube. EDTA & NaF Blood Collection Tube are intended to be used for specially glucose blood tests.

Tubes are recommended for glucose analysis when transportation time is crucial. Tubes contain fluoride as a glycolysis inhibitor and EDTA as anticoagulant.

Usage: EDTA & NaF Tubes are used for glucose determinations like blood sugar, sugar tolerance.

Specimen: plasma.

Conditions of centrifugation: 1300 g for 10 minutes. Centrifugation should be made right after taking the blood into the tubes.



All tubes are with labels and push caps.

REF Vacuum	REF Non-Vacuum	Additive	Cap Color	Tube Size (mm)	Draw Volume (ml)	Tube Material	Pack/Carton
C108020	C208020	EDTA&NaF	Grey	13×75	2	PET	100PCS/1200 PCS
C108030	C208030				3		
C108040	C208040				4		
C108050	C208050			13×100	5		

VACUUM



Sodium Citrate

Sodium Citrate Blood Collection Tube are also known as Coagulation Tubes or Citrate Tube. Sodium Citrate Blood Collection Tube are used to collect venous blood for coagulation tests.

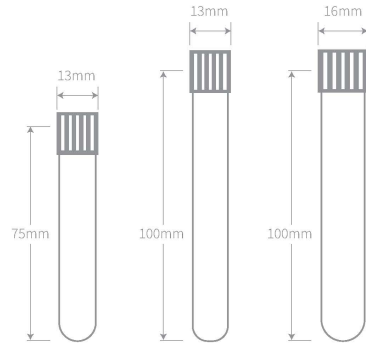
Sodium Citrate Tube have a buffered sodium citrate solution of 0.109 mol/l (3.2%) or 0.129 mol/l (3.8%).

Usage: to research the hemostatic system.

Specimen: plasma.

Conditions of centrifugation: 2000-2500 g for 10-15 minutes.

Immediately after taking the blood into the tube with citrate it must be carefully mixed at least 5 times to prevent micro clots.



All tubes are with labels and push caps.

REF Vacuum	REF Non-Vacuum	Additive	Cap Color	Tube Size (mm)	Draw Volume (ml)	Tube Material	Pack/Carton
C109018	C209018	Sodium Citrate Ratio 1:9	Blue	13×75	1.8	PET	100PCS/1200 PCS
C109027	C209027				2.7		
C109036	C209036				3.6		
C109045	C209045			13×100	4.5		
C109054	C209054				5.4		
C109063	C209063				6.3		
C109072	C209072			16×100	7.2		
C109081	C209081				8.1		
C109090	C209090				9		



Clot Activator

Clot Activator Tubes are covered with clot activator powder to accelerate blood coagulation.

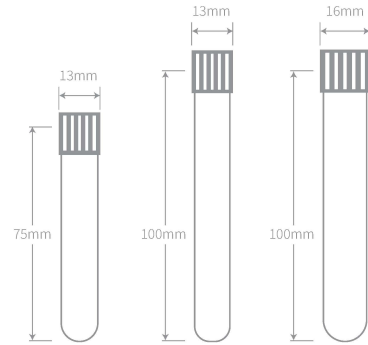
Silica (clot activator) is used as the activator. Serum is a substance freed from the fibrinogen but containing fragments of thrombocyte and product of the metabolism.

Usage: to research serum in the clinical chemistry, immunology, serology, protein electrophoresis.

Specimen: serum.

Clotting time: from 10 to 30 minutes.

Conditions of centrifugation: 1500-1800 g for 10 minutes.



All tubes are with labels and push caps.

REF Vacuum	REF Non-Vacuum	Additive	Cap Color	Tube Size (mm)	Draw Volume (ml)	Tube Material	Pack/Carton
C104035	C204035	Clot Activator	Red	13×75	3.5	PET	100PCS/1200 PCS
C104040	C204040				4		
C104045	C204045				4.5		
C104050	C204050			5			
C104060	C204060			6			
C104070	C204070			7			
C104080	C204080			8			
C104090	C204090			9			
C104100	C204100			10			

VACUUM



No Additive

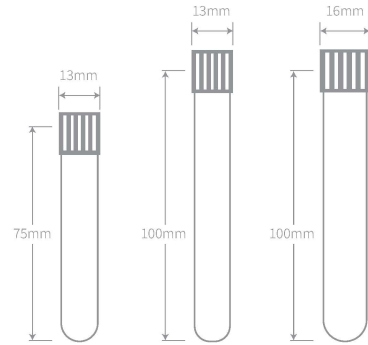
Plain Without Additives Blood Collection Tube are intended to be used in laboratory mainly for biochemistry, immunological & serological tests.

Usage: researches of biological fluids in clinical chemistry, serology, immunology.

Specimen: serum or other biological fluids.

Clotting time: 60 minutes.

Conditions of centrifugation: 1300 g for 10 minutes. Before centrifuging the tube with serum it is necessary to wait until blood clotting.



All tubes are with labels and push caps.

REF Vacuum	REF Non-Vacuum	Additive	Cap Color	Tube Size (mm)	Draw Volume (ml)	Tube Material	Pack/Carton
C100035	C200035	/	White	13×75	3.5	PET	100PCS/1200 PCS
C100040	C200040				4		
C100050	C200050			5			
C100060	C200060			6			
C100070	C200070			7			
C100080	C200080			8			
C100090	C200090			9			
C100100	C200100			10			



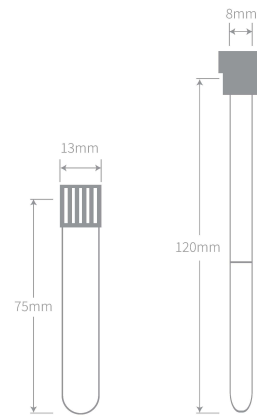
ESR

ESR Tube have a buffered sodium citrate solution of 0.109 mol/l (3.2%) or 0.129 mol/l (3.8%) for ESR test. ESR measurements refer to the Westergren method.

The tube are available with an open or closed sedimentation system.

Usage: ESR Blood Collection Tube are intended to be exclusively used for venous blood collection for determination of the Erythrocyte Sedimentation Rate.

Specimen: whole blood.



All tubes are with labels and push caps.

REF Vacuum	REF Non-Vacuum	Additive	Cap Color	Tube Size (mm)	Draw Volume (ml)	Tube Material	Pack/Carton
C110012	C210012	Sodium Citrate Ratio 1:4	Black	13×75	1.28	PET	100PCS/1200 PCS
C110016	C210016				1.6		
C110020	C210020				2		
C110024	C210024				2.4		
C110032	C210032				3.2		
C110036	C210036				3.6		
C111016	C211016			8×120	1.6		

VACUUM



Gel & Clot Activator

As the activator it is used silica dioxide and biologically inert olefin gel.

Gel provides the separation of serum and clot up to 48 hours without re- centrifugation.

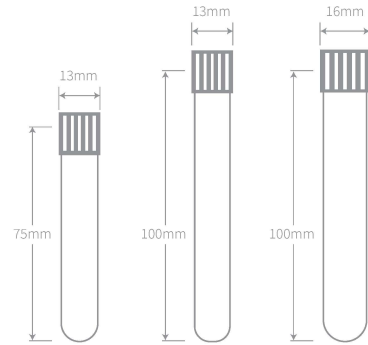
Gel is the special material intended for formation of barrier between cellular components of blood and serum during centrifugation.

Usage: to research serum in the clinical chemistry,immunology, serology, protein electrophoresis.

Specimen: serum.

Clotting time: from 5 to 30 minutes.

Conditions of centrifugation: 1800-2000 g for 10 minutes.



All tubes are with labels and push caps.

REF Vacuum	REF Non-Vacuum	Additive	Cap Color	Tube Size (mm)	Draw Volume (ml)	Tube Material	Pack/Carton
C105035	C205035	Gel&Clot Activator	Yellow	13×75	3.5	PET	100PCS/1200 PCS
C105040	C205040				4		
C105050	C205050			13×100	5		
C105060	C205060				6		
C105070	C205070			16×100	7		
C105080	C205080				8		

Micro Blood Collection Tube

042 type is designed under scientific concept, the sealed butyl rubber stopper is designed with central cross incision on top for easy inserting of the capillary. After blood collection, the cross incision automatically seal up when the capillary is pulling out, which effectively prevent blood leaking to guarantee safe and reliable transportation.

With special surface treatment both inside the capillary and micro storage tube, blood samples will automatically flow into bottom of the storage tube through the capillary without any blood adhesion or harm to the blood corpuscle. The additive is uniformly sprayed on surface both inside the capillary and storage tube, which is quite easy for blood anticoagulation, while avoiding tiny clotting. In this way, accurate testing result is guaranteed.

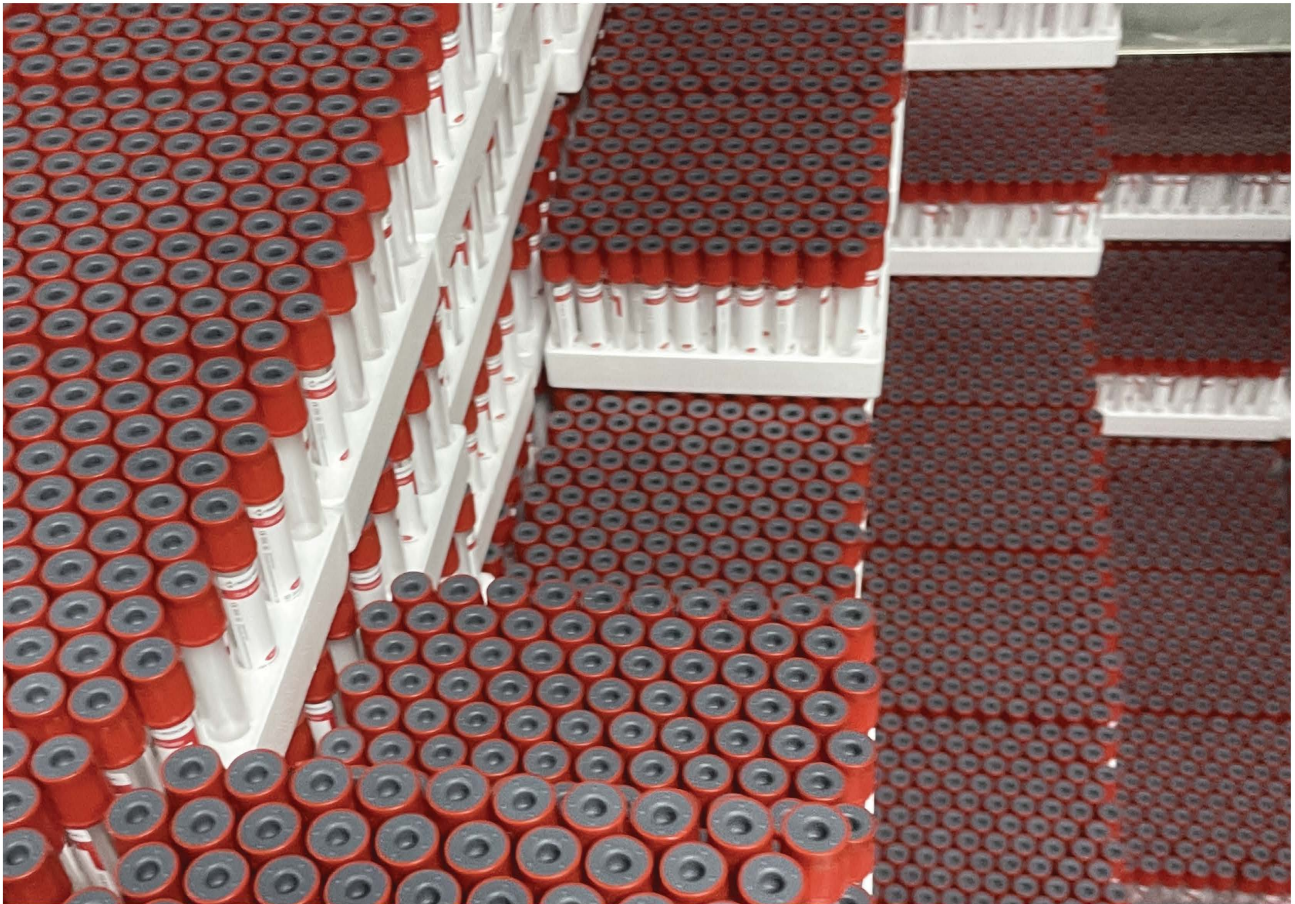
The cross incision is applicable to the sampling needle of all analyzers. Easy insert and automatic sampling requiring no cap opening operation during the whole testing process, safe and efficient.



REF	Additive	Cap Color	Tube Size (mm)	Draw Volume (ul)	Tube Material	Pack/Carton
RJ190350-10m	K3EDTA	Purple	8×45	100	PP	100PCS/3000 PCS
RJ190350-25m				250		
RJ190350-50m				500		

If you need the micro blood collection tubes with other additives, we can customize for you.

Product Show



Product Photos



Product Packaging

RENJI BLOOD COLLECTION TUBE

DURABLE AND RELIABLE PACKAGING



Blood Collection Tube
CHANGSHA RENJI MEDICAL EQUIPMENT CO., LTD.

Blood Collection Tube
CHANGSHA RENJI MEDICAL EQUIPMENT CO., LTD.

Blood Collection Tube
CHANGSHA RENJI MEDICAL EQUIPMENT CO., LTD.

Blood Collection Tube
CHANGSHA RENJI MEDICAL EQUIPMENT CO., LTD.
www.renjigroup.com



Changsha Renji Medical Equipment Co., Ltd.

TEL: +86 0731-83075656

Mobile/WhatsApp: +86 13786133661

E-mail: sales@renjigroup.com

Website: www.renjigroup.com

Factory ADD: Workshop 201, Stage 4, Changsha E Center, No.18 Xiangtai Road, Liuyang Jingkai District, Changsha City, Hunan Province, China.

Sales Office: R.1403, Wangdefu Kaiyue International Building, No. 526 Sanyi Avenue, Changsha City, Hunan Province, China.

The copyright of this manual belongs to Changsha Renji Medical Equipment Co., Ltd. Without the written permission of the company, neither individual or organization may copy, copy, edit, or translate the contents of this manual in other languages in any form. All trademarks or logos in this manual belong to Changsha Renji Medical Equipment Co., Ltd. and its suppliers.
Version: September 2022 | RJ@EU

The information on which this manual is based is as of September 13, 2022. All contents are for reference only, and do not constitute any commitment or guarantee of the company. The final signed contract shall prevail.