



VALVEGATE™ PRO

SPECIALIST





1 2 3 4 5 6 7 8 9

Needle Holder with ratchet

Art.-No.	Description	Shaft	for sutures ±
1 38-7799	TC curved, Crile-Wood	5,0	2/0
2 38-7800	TC straight	5,0	2/0
3 38-7802	TC curved	5,0	2/0
4 38-7803	TC curved, Colvin, short jaw	5,0	4/0
5 38-7804	TC curved, Crile-Wood, Micro	5,0	6/0
7 38-7805	TC straight, Ryder	5,0	6/0
6 38-7806	TC curved, Mini	2,7	6/0
8 38-7807	TC angled up	5,0	2/0
9 38-7952	TC curved	3,4	2/0

Dissecting Forceps

Art.-No.	Description	Shaft	Tip
10 38-7823	Grasper, Lange, with ratchet (push to close)	5,0	28 mm, serrated
10 38-7823.NC	Grasper, Lange, without ratchet (push to close)	5,0	28 mm, serrated
11 38-7828	Dissecting forceps, Gemini, with ratchet (push to open)	5,0	25 mm, smooth



10 11 12 13 14

Knot Pusher

Art.-No.	Description	Shaft
12 38-7850	push to close	5,0
13 38-7851	push to open	5,0
13 38-7852	push to close	3,0

Mini Holding Forceps

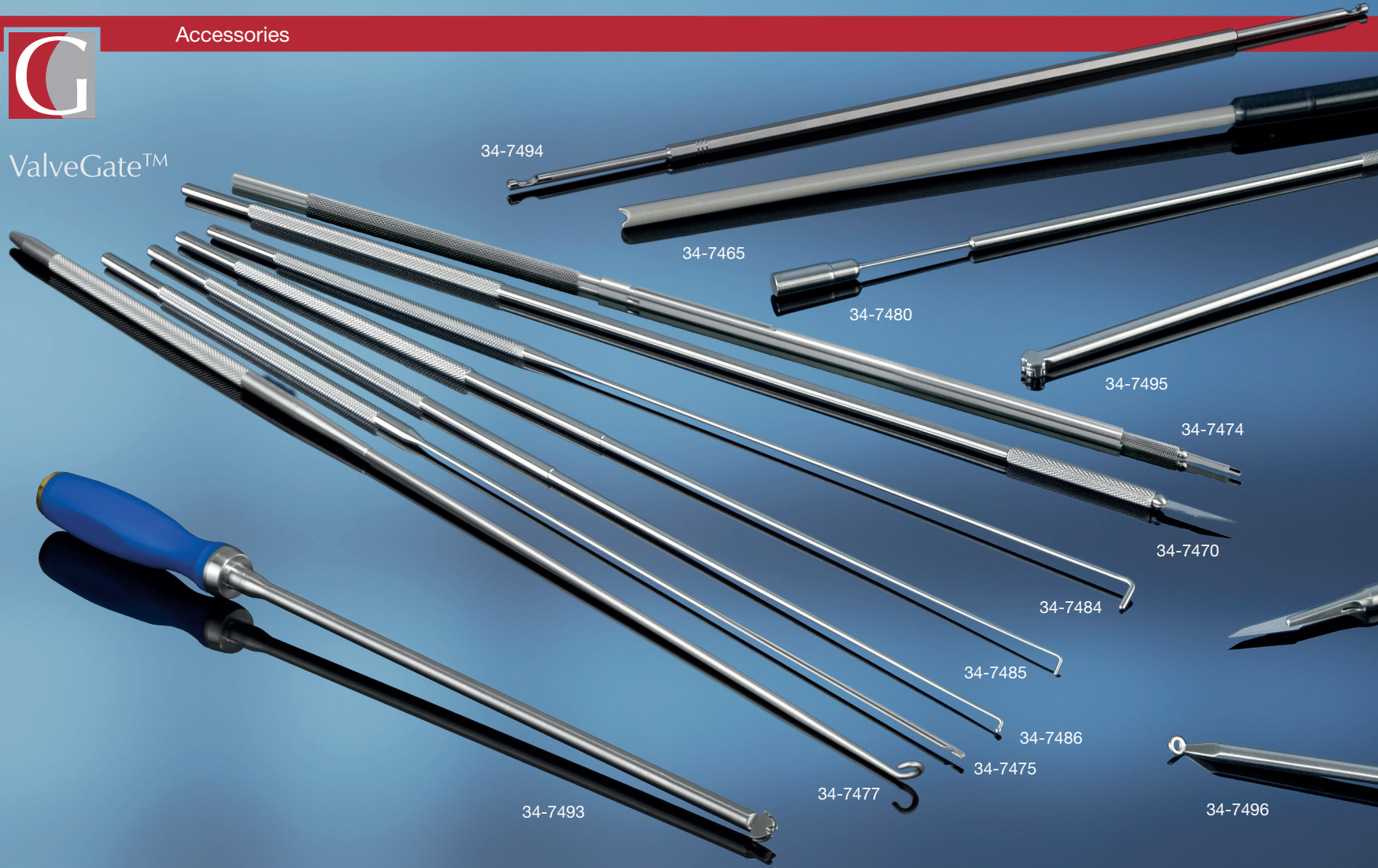
Art.-No.	Description	Shaft	Tip
14 38-7878	Holding Forceps, upwards	3,4	0.8x7 mm, 1x2 teeth, Sapphire™

Standard working length 25 cm/10". Total length = working length plus ~13 cm / 4 ¾".
For different length add "B", "C", "S", "L" or "XL" behind article number.

B = 12 cm/5" **C** = 15 cm/6" **S** = 17 cm/6¾" **L** = 30 cm/12" **XL** = 35 cm/14"



ValveGate™



34-7494

34-7465

34-7480

34-7495

34-7474

34-7470

34-7484

34-7485

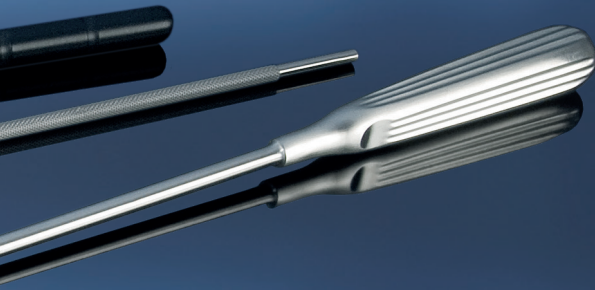
34-7486

34-7475

34-7477

34-7493

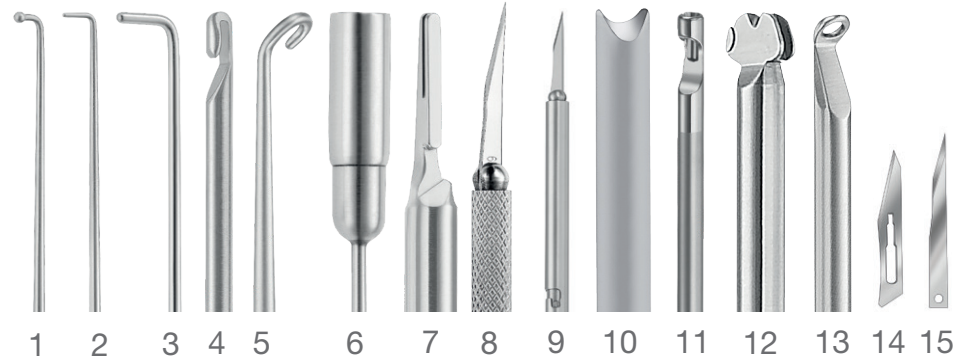
34-7496



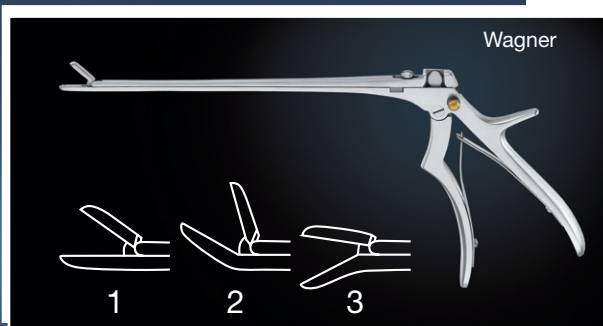
34-7471



34-7474



Art.-No.	Description	Length
1 34-7486	Fine Hook, 90° ball point	35.0 cm
☐ 34-7487	Fine Hook, 70° ball point	35.0 cm
2 34-7485	Fine Hook, 90°	35.0 cm
3 34-7484	Hook, 90°	35.0 cm
4 34-7475	Suture Catcher 1.8 mm fine	35.5 cm
☐ 34-7476	Suture Catcher 1.5 mm extra fine	35.5 cm
5 34-7477	Suture Catcher 7.7 mm, conical shaft	38.0 cm
6 34-7480	Magnetic Retriever	35.0 cm
7 34-7471	Holder for Scalpel blades #11 (without blades)	35.0 cm
8 34-7470	Holder for Mini Scalpel blades (without blades)	37.0 cm
9 34-7474	Holder for Mini Scalpel blades (without blades) protected	37.0 cm
10 34-7465	Pusher	35.0 cm
11 34-7494	Knot Pusher, both side	35.0 cm
12 34-7493	Knot Pusher, with blue silicone handle	31.5 cm
12 34-7495	Knot Pusher	35.0 cm
13 34-7496	Knot Pusher with disc	37.0 cm
14 16-2011/CE	Scalpel, Blade #11 (pack of 100, sterile)	
15 16-2065/CE	Scalpel, Blade #65 (pack of 10, sterile)	



Atraumatic Slider-shaft Clamps with DeBakey Jaws

Art.-No.	Description	Jaw	Length total
34-7301	1x2 DeBakey Jaw with ratchet	115/100 mm	39.0 cm
34-7302	1x2 DeBakey Jaw with ratchet	65/50 mm	34.0 cm
34-7303	1x2 DeBakey Jaw with ratchet	90/75 mm	34.0 cm
34-7306	2x3 DeBakey Jaw with ratchet	115/100 mm	37.0 cm
34-7307	2x3 DeBakey Jaw with ratchet	75/65 mm	34.0 cm
34-7311	2x3 DeBakey Jaw with ratchet	100/85 mm	34.0 cm

Rongeurs Wagner, detachable, strong model

Art.-No.	Description	Jaw	Length total
1 40-2370.04	straight	4 mm	20.0 cm
2 40-2371.04	50° upwards	4 mm	20.0 cm
3 40-2371.04D	50° downwards	4 mm	20.0 cm
1 40-2372.04	straight	4 mm	30.0 cm
2 40-2373.04	50° upwards	4 mm	30.0 cm
3 40-2373.04D	50° downwards	4 mm	30.0 cm

Rongeurs

Art.-No.	Description	Jaw	Length total
34-7450	straight	3 mm	30.0 cm
34-7450.Z	straight, detachable	3 mm	30.0 cm
34-7451	30° upwards	3 mm	30.0 cm
34-7451.Z	30° upwards, detachable	3 mm	30.0 cm

Bulldog Clamps and Applying Forceps

Art.-No.	Description	Jaw Length	Length total
20-0350	straight	25 mm	8.0 cm
20-0351	straight	35 mm	9.0 cm
20-0352	straight	50 mm	10.5 cm
20-0353	straight	68 mm	12.5 cm
20-0378	45° angled up	-	24.0 cm
34-7280	Slider-shaft angled	-	33.0 cm
34-7281	Slider-shaft straight	-	33.0 cm