
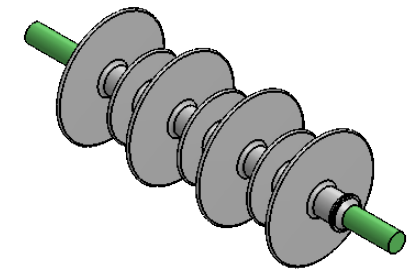
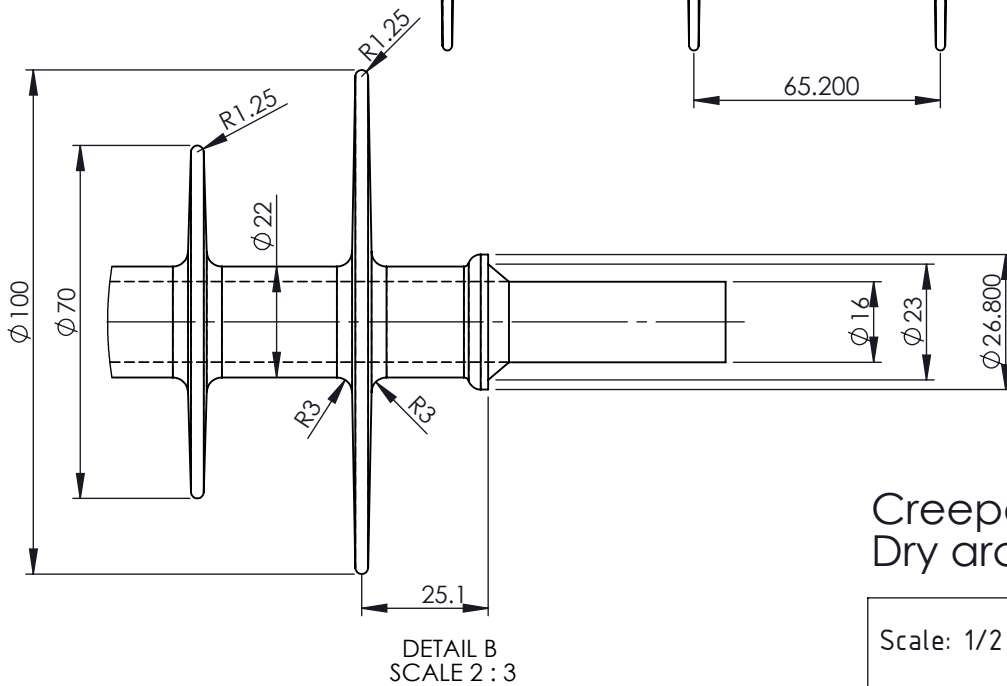
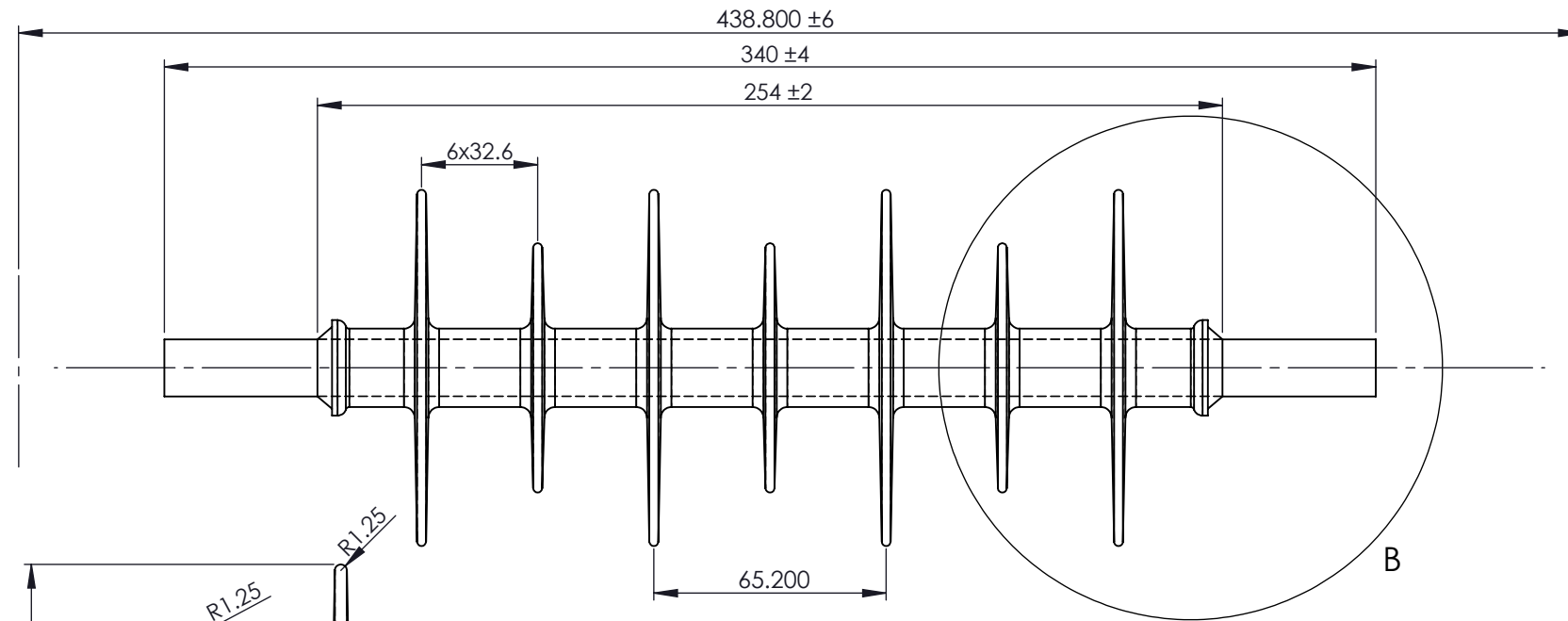



Trade Mark:  oltage™

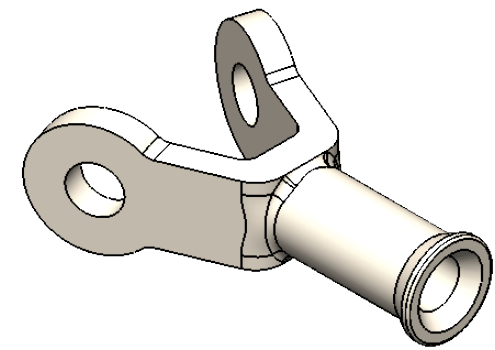
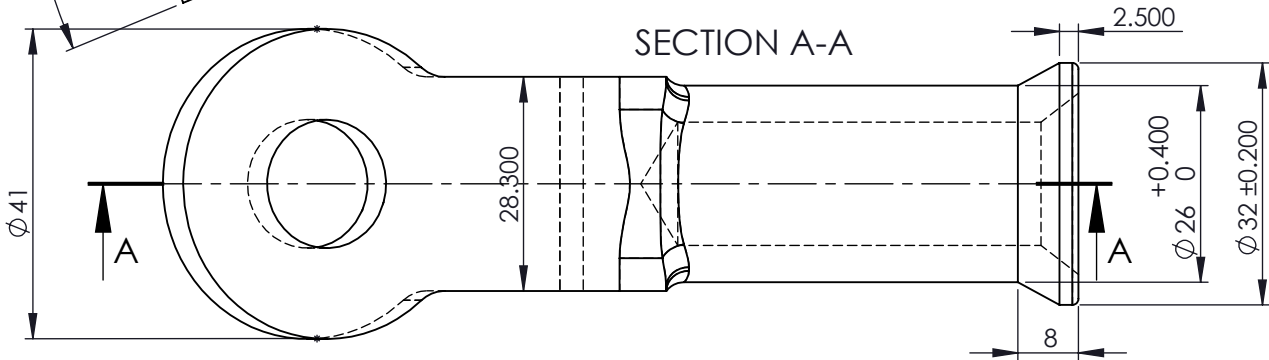
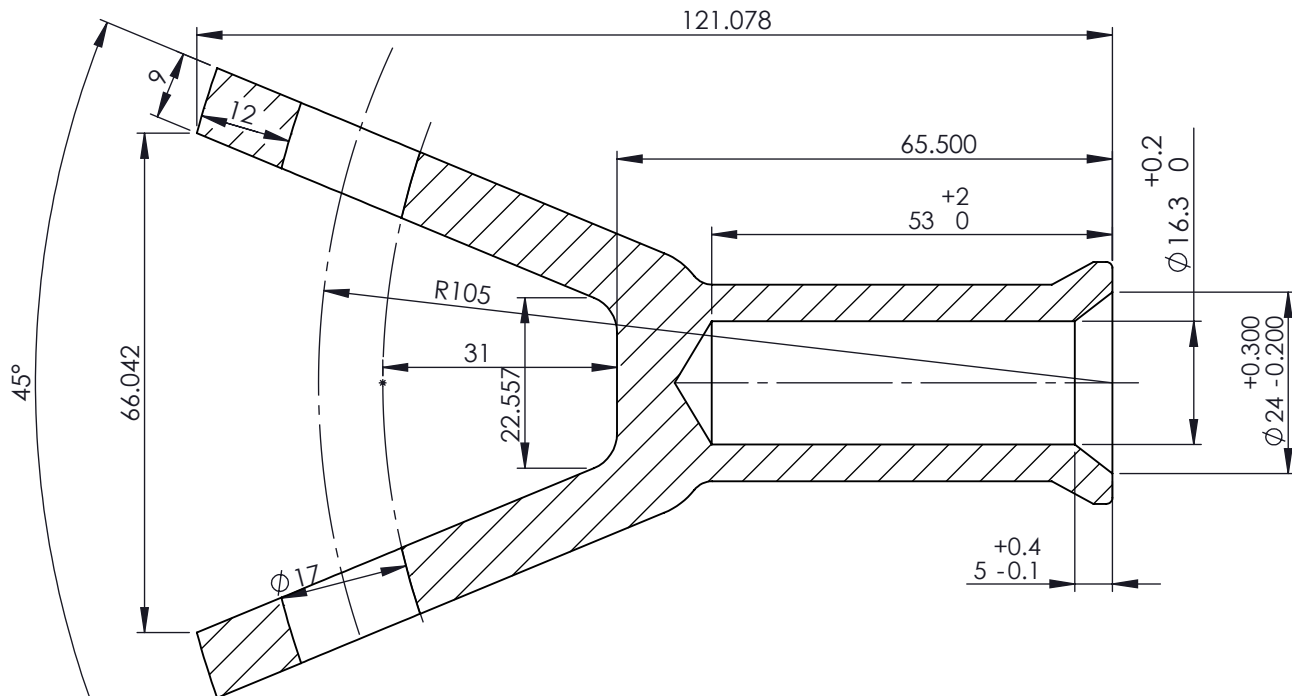
Scale:1/3	Afra Modern Systems		Part or Assembly Name: DS-160660		
Tol: 0.0=+0.2 0.00=+.05			DS-160660		Date:
	Size: A4	Unit: mm	Date: 92-7-17	Drawn By: omidi	
	Dwg No:	Rev: 00	Date:	Checked By: Rajaee	
	Code:1010514		Date:	Approved By: Firoozsani	



Creepage distance=660mm
Dry arcing distance=285mm

Trade Mark:  oltage™

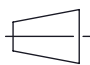

Scale: 1/2	Afra Modern Systems		Part or Assembly Name: DS-160660	
			Date:94.04.21	Design By:Omid
Tol: 0.0=+0.2 0.00=+.05	DS-160660		Date:94.04.21	Drawn By:Omid
			Date:94.04.21	Checked By:Omid
	Size: A4	Unit: mm	Date:	Approved By: Firoozsani
	Dwg No:	Rev: 01		
Material:				



Volume = 58.74 cubic centimeters

Trade Mark:  oltage®

All sizes are measured after galvanising (100um).

Scale: 1/1	Afra Modern Systems		Part or Asmbly Name:Clevis	
			Date:97.03.17	Design By: Omidi
Tol:0=±0.1 0.0=±0.05 0.00=±0.02	Clevis		Date:97.03.17	Drawn By: Omidi
			Date:97.03.17	Checked By: Omidi
 	Size: A4	Unit: mm	Date:97.03.17	Approved By: Firoozsani
	Dwg No:	Rev: 02	Date:	
	Material:			