

# TJF-Q190V Duodenoscope

Supporting Your Standard of Care



## Main Features

### Improved Cannulation Efficiency

Square image shape and 15° backward viewing allow for expanded field of view and better view direction, improving cannulation efficiency.

### Reliable Guidewire Locking

Facilitates fast and secure short guidewire locking with dual system at the distal end.

### High Force Transmission

Enables a 1:1 transfer of pushing and rotating forces to the distal end of the duodenoscope, improving ergonomics and scope responsiveness.

### NBI (Narrow Band Imaging)

NBI with TJF-Q190V is significantly brighter and provides contrast, which may aid in the interpretation of mucosal and vascular patterns of the papilla.

### Single-Use Distal Cover

The MAJ-2315 single-use distal cover allows better access for reprocessing accessories during manual cleaning. The cover is transparent and is destroyed during removal, preventing unintended reuse.

### Distal End Flushing Adapter

The new MAJ-2319 flushing adapter reduces the number of required flushing steps and ensures controlled distribution of detergent and disinfectant solution to the distal tip of the endoscope during manual reprocessing.

### Waterproof One-Touch Connector

A new connector design reduces the effort required for setup prior to and in between cases. In addition, it is fully submersible, eliminating the need for a water-resistant cap and the associated risk of expensive repairs due to accidental immersion.

Extended view area of TJF-Q190V  
View area of TJF-Q180V (for comparison)

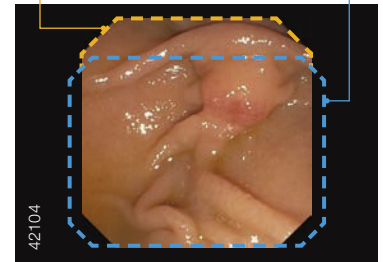


Image courtesy of Prof. Guido Costamagna



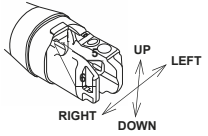
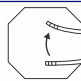
MAJ-2315 single-use distal cover for TJF-Q190V



MAJ-2319 distal end flushing adapter for TJF-Q190V



## Specifications

<b>Optical System</b>	Field of view	100°
	Direction of view	Backwards 15°
	Depth of field	5.0–60 mm
<b>Insertion Section</b>	Distal end outer diameter	13.5 mm
	Distal end enlarged	
	Insertion tube outer diameter	11.3 mm
	Working length	1,240 mm
<b>Instrument Channel</b>	Channel inner diameter	4.2 mm
	Minimum visible distance	10 mm from the distal end
	Direction from which EndoTherapy accessories enter and exit the endoscopic image	



<b>Bending Section</b>	Angulation range	Up 120°
		Down 90°
		Right 110°
		Left 90°
<b>Total Length</b>	1,560 mm	
<b>Compatible EVIS EXERA Systems</b>	OLYMPUS CV-190 video system center	
	OLYMPUS CLV-190 xenon light source	

Specifications, design, and accessories are subject to change without any notice or obligation on the part of the manufacturer.