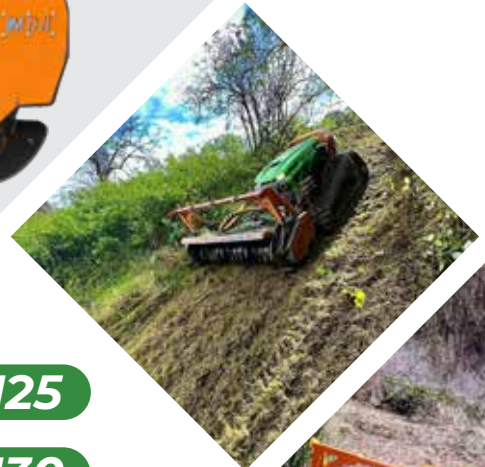




MDB **Forestry Flail**

TRINCIA FORESTALE
DESIGNED FOR MDB
GREEN CLIMBER



- TF 125
- TF 130
- TF 150
- TF 180



FIERCE

The frontal bar has a twofold benefit; it can knock down branches and trees, while at the same time making sure branches don't slip sideways or fall on the machine.

MAXIMUM RESISTANCE

Invest in lasting performance: Special steel construction ensures the fixed hammers deliver long-lasting durability.

FAST MAINTENANCE

An integrated rear-mounted indicator provides real-time monitoring of hydraulic belt tension. Our **patented** tensioning system facilitates effortless pulley position adjustment, ensuring optimal belt performance and longevity.



Designed with safety in mind, the MDB TF flail attachment passed stringent tests that limited debris dispersion to a specific, low-level zone, preventing high-speed projectiles from flying upwards.

SUPERIOR CUT

Replaceable fixed tungsten carbide teeth (1) provide a more powerful cut. The Bite Limiter Rotor (2) option is great for rocky soil and preserves the hammers in particularly tough conditions with the hardest woods, preventing slow down in speeds.

HIGH-PRECISION

Heavy-duty, adjustable support skids tackle any terrain. Designed with streamlined side panels, without protruding screws, bolts, or other elements, this flail-head navigates even the toughest brush with ease.

DEEPER REACH

The hydraulic front panel can be opened through a safely concealed piston with **patented** technology via the remote control which enables deeper cutting into branches and tree stumps in front of the machine.



PEACE OF MIND

Easily replace bearings or half-shafts by unscrewing them, thanks to a **patented** technology. This saves time and money when doing maintenance versus welded shafts.

DURABILITY

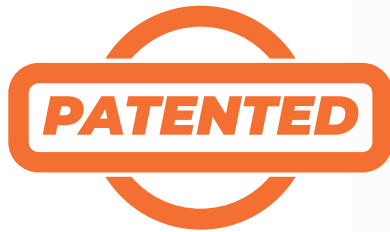
A 5-belt-transmission system drives the rotor, providing less stress on the individual belts, making them last longer. Further, the pressure relief system helps maintaining a safe hydraulic pressure.

FLEXIBILITY

The **patented** self-levelling floating flail head effortlessly conforms to uneven ground, thanks to its innovative attachment plate design.

SAVE MONEY

Replaceable counter-knives improve mulching operations in two key ways: they produce a finer mulch, and they streamline maintenance through quick, weld-free replacement.



SUPERPOWER

A powerful BOSCH® REXROTH hydraulic motor with direct-drive, 5-belt transmission, delivering high torque and efficient power transfer for heavy-duty operation, minimising maintenance and maximising performance.

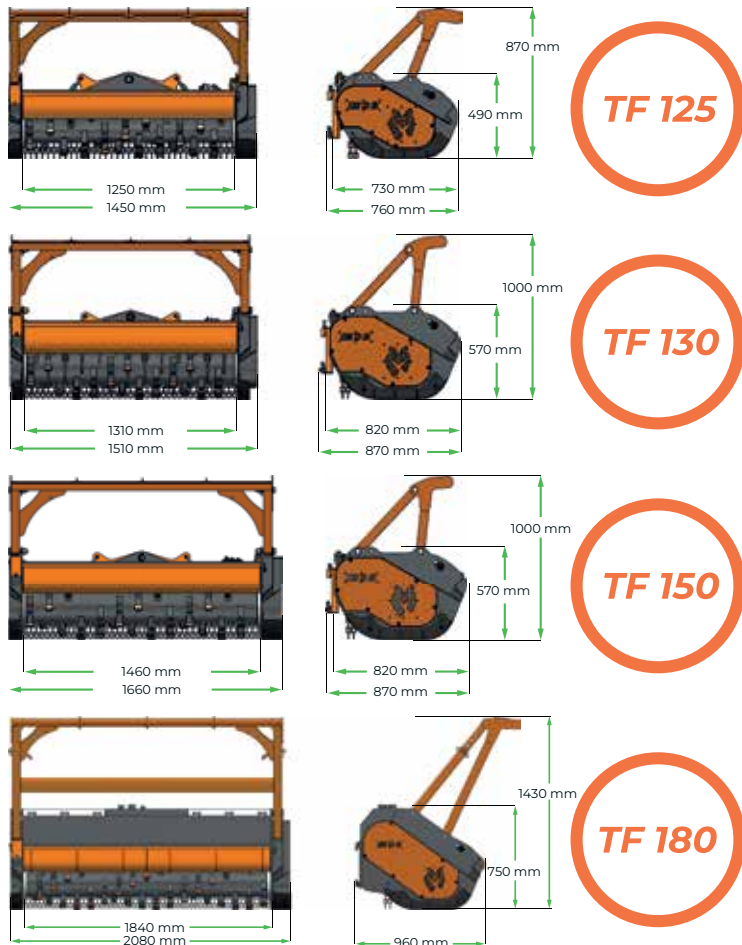
MORE IMPACT

The large rotor diameter provides high maximum speeds and powerful forces at the same rpm, making the MDB TF flail a world leading product unparalleled in its quality.

INCREASED SAFETY

TF features heavy chains at the back. These act as a vital shield, minimizing the risk of injury from rocks, branches, and other debris propelled by the flail's cutting system, enhancing operator safety.

TECHNICAL SPECIFICATIONS



TF 125

TF 130

TF 150

TF 180

Dry Weight	390 kg / 550 kg / 605 / 1100 kg
Max. cutting speed	0-9 km/h
Cutting Options	30 / 33 / 36 / 42 Teeth
Safety Front Rubber Pads	Yes
Safety Rear Chains	Yes
Ground Hugging Skid	Yes
Floating Plate Compatibility	Yes
Max. cutting thickness	20cm

© MDB Srl 2025 - Image, technical and construction specifications subject to change with no obligation of prior notification. All rights reserved.

WHY CHOOSE MDB TF FLAIL

- **DEVELOPED SPECIFICALLY FOR MDB GREEN CLIMBER MACHINES**
- **INCLUDES A 12-MONTH WARRANTY, WITH THE OPTION TO EXTEND TO 24-MONTH TOTAL COVERAGE.**
- **CONCEALED FRONT LATCH PISTON FOR EXTRA DURABILITY**
- **SPECIAL STEEL COMPONENTS FOR MORE RESISTANCE OVER TIME**
- **BOSCH-REXROTH HYDRAULIC MOTOR WITH HIGH PRESSURE**
- **REMOVABLE ROTOR HALF-SHAFTS FOR EASY MAINTENANCE**
- **REMOVABLE COUNTER-KNIVES FOR RAPID UP-KEEP**
- **ENLARGED ROTOR SECTION FOR HIGHER SPEEDS AND MORE POWER**
- **RAPID DISCONNECT PLATE, SUPPLIED WITH FLAIL**
- **LONG-LASTING 5-BELT-TRANSMISSION SYSTEM**

TF-MDB-Brochure-v2.8-EN



MDB srl
 www.mdb srl.com
 Via Cupone 13
 66022 Fossacesia (CH)
 Italia