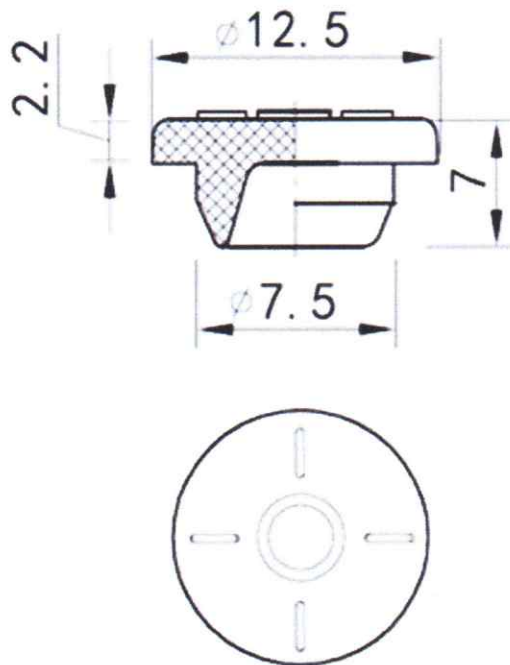




HONJIN



MATERIAL: Brominated butyl rubber		
STERILIZATION TEMPERATURE 132±0.2 °C		
SIZE	TOP DIAMETER	12.5±0.2mm
	PLUG DIAMETER	7.5±0.1mm
	OVERALL HEIGHT	7.0±0.4mm
	TOP HEIGHT	2.2±0.25mm
PHYSICAL FUNCTION	POWER OF PUNCTURE	≤10N
	ASH	Residue left ≤ 50%
CHEMICAL FUNCTION	VOLATILE SULFIDES	≤50ugNa ₂ S/20cm ²
	CLARITY AND COLOR	Clarity ≤ No.2 Color ≤ Kelly No.5
	PH	Disparity between with blank liquid ≤ 1.0
	ULTRAVIOLET ABSORBENCY	(220-360 nm) A _{max} ≤ 0.20
	NO-VOLATILE MATTER	≤ 4.0mg/100ml
	READILY OXIDIZABLE SUBSTANCES	≤ 7.0ml
	HEAVY METALS	≤ 1PPM
	AMMONIUM	≤ 0.0002%
	ZINC	≤ 0.0003%
	ELECTRICAL CONDUCTIVITY	≤ 40.0μs/cm
Produce basis: ISO8362-2-2015		

Shanxi Hongjin Medical Glass Co.,Ltd		Title: Pharmaceutical Rubber Stoppers 13-A			
		UNIT:	GEN. TOLERANCE:		SIZE: A4 REV:0
DRAWING BY:	DEPARTMENTION	NAME - SURNAME	SIGN	DATE	DWG NO: HJ-RS-13A
Hou Mingzhen	FACTORY MANAGER	Yang Wen			FILE:
Date:	QA / RA	Pei Zhuo			
2022/08/25					SCALE:1/1 PAGE:1

