

Series 3



Surgical Power Tools

High Power

Better Grip

Ergonomical Shape

Faster Speed

Better Battery life



The Starlite Range of **ORTHOPAEDIC POWER TOOLS** is simply

S M A R T

Apothecaries' Sundries Manufacturing Co.

- S Smooth performance
- M Meets all needs
- A All-round, versatile
- R Reasonably priced
- T Totally reliable

www.asco-starlite.com

CANNULATED DRILL MACHINE

369D.302

It is used for various types of drilling operations. Also Suitable for K-wire surgery* & Reaming Operations*

Standard Configuration:

- ★ One Hand Piece
- ★ 2 pcs. Battery
- ★ 1 pc. chuck & key
- ★ 1 pc. Charger
- ★ 2 pcs. Sterilizing Rings

SPECIFICATIONS

Speed	1000 rpm
Noise	≤ 65db
Sterilize	≤ 135 °C
Torque	≥ 3.5 NM

Autoclavable

Packed in Aluminium Carrying Case



Battery Operated



OSCILLATING SAW

369D.305

Standard Configuration:

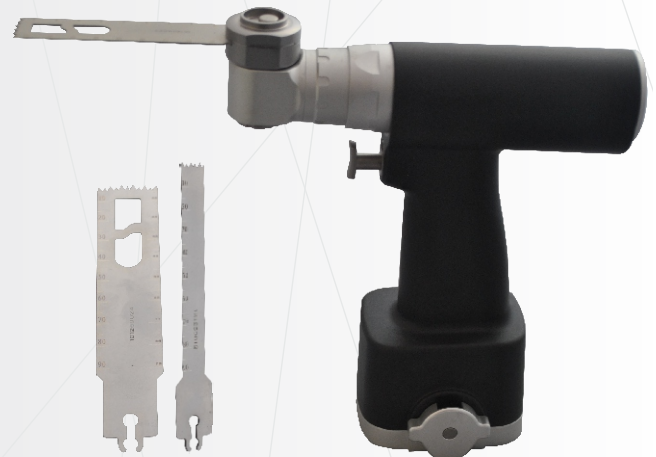
- ★ One Hand Piece
- ★ 2 pcs. Saw Blades
- ★ 2 pcs. Battery
- ★ 1 pc. Charger
- ★ 2 pcs. Sterilizing Rings

SPECIFICATIONS

Speed	0-20000 osc/m
Noise	≤ 70db
Sterilize	≤ 135 °C

Autoclavable

Packed in Aluminium Carrying Case



International Blade Design



Battery Operated

Better Battery life

Faster Speed

High Power

Better Grip

Ergonomical Shape

STERNUM SAW

For application in thoracic surgery

Set Contents:

- ★ One Hand Piece
- ★ 2 pcs. Saw Blades
- ★ 2 pcs. Battery
- ★ 1 pc. Charger
- ★ 2 pcs. Sterilizing Rings

SPECIFICATIONS

Speed	0-15,000 osc/m
Noise	≤ 75db
Steriliz	≤ 135 °C

Autoclavable

Packed in Aluminium Carrying Case



369D.304



Battery Operated

Series 3 Ultra

MULTIFUNCTION ORTHO DRILL & SAW SET

Set Contents:

- ★ Hand Piece Motor, Battery Operated
- ★ Drill Attachment (Jacob Chuck Type)
- ★ Cannulated Drill Attachment
- ★ Oscillating Saw attachment
- ★ Reamer Attachment
- ★ Convert Adapter for Quick Coupling Drill Bits
- ★ Convert Adapter for AO design Reamers
- ★ 1 pc. Charger
- ★ 2 pcs. Sterilizing Rings
- ★ 2 pcs. Oscillating Saw Blades
- ★ 2 pcs. Battery

Autoclavable

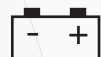
Packed in Aluminium Carrying Case

Technical Specifications:

Hand Piece	Working Voltage	14.4V
	Output Power	≥90W
	Unit Rise in Temp.	≤20°C
Charger	Input Voltage	AC 110V-240V 50HZ-60HZ
	Output Power	14.4V 900MA
	Input Power	30W
Battery	Voltage	14.4V
	Charging Time	2Hours or more
	Running Time	Continues 45-50 minutes on full charge



369D.300UA



Battery Operated

Better Battery life

Faster Speed

High Power

Better Grip

Ergonomical Shape

CRANIAL DRILL & BUR

For application in cranial surgery.

Standard Configuration:

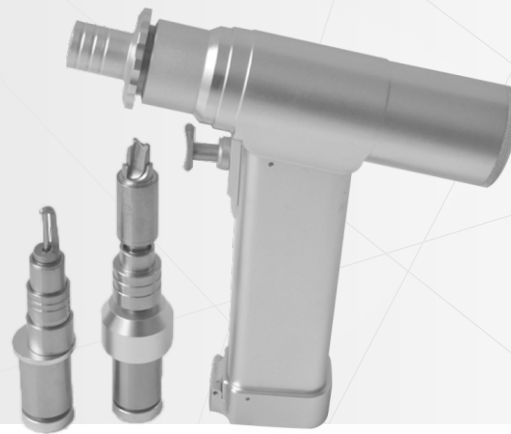
- ★ 1 pc. Cranial Drill Attachment
- ★ 1 pc. Bur Attachment
- ★ 2 pcs. Battery
- ★ 1 pc. Charger
- ★ 2 pcs. Sterilizing Rings

SPECIFICATIONS

Speed - Drill	0-1000 r/m
Speed - Bur	0-40,000 r/m
Noise	≤ 65db
Sterilize	≤ 135 °C

Autoclavable

Packed in Aluminium Carrying Case



369D.103



Battery Operated

SPARES



Apothecaries Sundries Manufacturing Company is a leading provider of quality medical & hospital equipment to doctors, hospitals, and health service agencies worldwide. The company, simply known as ASCO in the global market, manufactures and markets a wide variety of high quality hospital equipment. The brand has gained recognition worldwide as a high quality premier brand has made its mark into the European marketplace where it continues to be recognized for its exceptional quality. ASCO, has been in the field of supplying quality surgical/hospital appliances and allied products for almost six decades now. It is also credited with setting the benchmark of excellence in quality, R&D and customer service.

if you are looking for power tools that offer reliable performance in the most **demanding applications**, that come with a variety of options to suit your needs and are available in reasonable prices, **Starlite is the answer.**

Apothecaries' Sundries Manufacturing Co.

Regd. Office:

ASCO House, No.13, Community Center,
Mayapuri, Phase 1, New Delhi-110064, Delhi, India
Tel : +91 9315680579, +91 8178737594
Email: info@ascoindia.com

Branch Office:

ASCO Medical Ltd.
United Kingdom



WHO
GMP
COMPLIANT

ISO
13485:2003
CERTIFIED

ISO
9001:2000
CERTIFIED

Government of India recognised
"STAR EXPORT HOUSE"

www.asco-starlite.com



CERTIFICATE

This Certificate is issued to

Apothecaries' Sundries Manufacturing Co.

'ASCO' House
229, Udyog Vihar Phase IV,
Gurugram-122015, Haryana
INDIA

Who have implemented a Quality Management System, which Meets the requirements laid down in ISO 13485:2016, with the following scope:

Manufacture and Supply of Medical, Surgical, Laboratory Device & Equipments.

Certificate No : QL-I-1006-1126
Original Issue : 10 February 2021
Latest Issue : 10 February 2021
Valid Till : 9 February 2024

The Continuing Validity of this Certificate is Subject to timely Conduct of Surveillance audits

for QL Certification Authorised Signatory



ISO 13485:2016

To check the validity of the certificate, email to verify@ql-certification.com
Colored reproduction of this certificates is not permitted.
Upon request, the Certificates shall be returned to QL Certification

QL Certification

Austria

Australia

Hong Kong

India

China

www.ql-certification.com



CERTIFICATE

The location-wise activities included in certificate No. QL-I-1006-1126 are:

S.No.	Location	Certified Activities
1.	<i>Office:</i> Apothecaries' Sundries Manufacturing Co 'ASCO' House, 229, Udyog Vihar Phase IV, Gurugram-122015, Haryana India	Top Management, Purchase and Marketing
2.	<i>Office:</i> Apothecaries' Sundries Manufacturing Co 'ASCO' House, 13, Community Center, Mayapuri, Phase I New Delhi 110064 India	
3.	<i>Factory:</i> Apothecaries' Sundries Manufacturing Co. F 1, Sector A2 Tronica City, Loni Ghaziabad Uttar Pradesh India	Production, QA, Training, Stores and Dispatch
4.	<i>Factory:</i> Apothecaries' Sundries Manufacturing Co. F 10, Sector A2 Tronica City, Loni Ghaziabad Uttar Pradesh India	Production, QA, Training, Stores and Dispatch

Valid Till 9 February 2024



for QL Certification Authorised Signatory

ISO 13485:2016

To check the validity of the certificate, email to verify@ql-certification.com
Colored reproduction of this certificates is not permitted.
Upon request, the Certificates shall be returned to QL Certification

QL Certification

Austria

Australia

Hong Kong

India

China



CERTIFICATE

This Certificate is issued to

Apothecaries' Sundries Manufacturing Co.
 'ASCO' House
 13, Community Center,
 Mayapuri, Phase I
 New Delhi 110064
 INDIA

Who have maintained a technical documentation, as required for class I devices and the requirements laid down in Annex VII, Section 3 of the Council Directive 93/42/EEC of 14 June 1993 for following products:

Surgical Power Tools

(Further details of products are given on page 2 of 3 of this certificate. Any changes undertaken shall be reported immediately to QL Certification so that same may be reviewed for continuing validity of the certificate)

Certificate No : CE-0413
 Original Issue : 1 March 2018
 Latest Issue : 1 March 2018
 Valid Till : 28 February 2021

The Continuing Validity of this Certificate is Subject to timely Conduct of Surveillance audits

for QL Certification Authorised Signatory



Any changes in the design or construction of the products or any amendments to the Directed as referred above, may render this certificate invalid. The product liability rests with the manufacturer or his representative in accordance with Council Directive 85/374/EEC

To check the validity of the certificate, email to verify@ql-certification.com
 Colored reproduction of this certificates is not permitted.
 Upon request, the Certificates shall be returned to QL Certification

QL Certification

Austria Australia Hong Kong India China



CERTIFICATE

The Certificate No. CE-0413 issued to M/s Apothecaries' Sundries Manufacturing Co. covers the following devices:

S.No.	Product/Category	Code No.
1.	Surgical Power Tools (Drill Machines, Oscillating Saw, Reciprocating Saw, Cranial Drill, Sternum Saw, Plaster Saw)	369D.102, 369D.302 , 369D.102A, 369D.103, 369D.104, 369D.305, 369D.107, 369D.109, 369D.200, 369D.102, 369D.102A, 369D.103 369D.104, 369D.200A, 369D.202 369D.206, 369D.208, 369D.209 369D.210, 369D.213, 369D.214 369D.216, 369D.217, 369D.219A 369D.219B, 369D.219C, 369D.222 369D.223, 369D.224, 369D.302 369D.305, 369D.314, 369D.311B 369D.311H, 369D.300A, 369D.309 369D.310

for QL Certification Authorised Signatory



To check the validity of the certificate, email to verify@ql-certification.com
Colored reproduction of this certificates is not permitted.
Upon request, the Certificates shall be returned to QL Certification

QL Certification

Austria

Australia

Hong Kong

India

China



CERTIFICATE

The location-wise activities included in Certificate No. CE-0413 are:

S.No.	Location	Certified Activities
1.	<i>Office:</i> Apothecaries' Sundries Manufacturing Co 'ASCO' House 13, Community Center, Mayapuri, Phase I New Delhi 110064 India	Top Management, Purchase and Marketing
2.	<i>Factory:</i> Apothecaries' Sundries Manufacturing Co. F 1, Sector A2 Tronica City, Loni Ghaziabad Uttar Pradesh India	Production, QA, Training, Stores and Dispatch
3.	<i>Factory:</i> Apothecaries' Sundries Manufacturing Co. F 10, Sector A2 Tronica City, Loni Ghaziabad Uttar Pradesh India	Production, QA, Training, Stores and Dispatch

Valid Till : 28 February 2021

for QL Certification Authorised Signatory



To check the validity of the certificate, email to verify@ql-certification.com
Colored reproduction of this certificates is not permitted.
Upon request, the Certificates shall be returned to QL Certification

QL Certification

Austria

Australia

Hong Kong

India

China