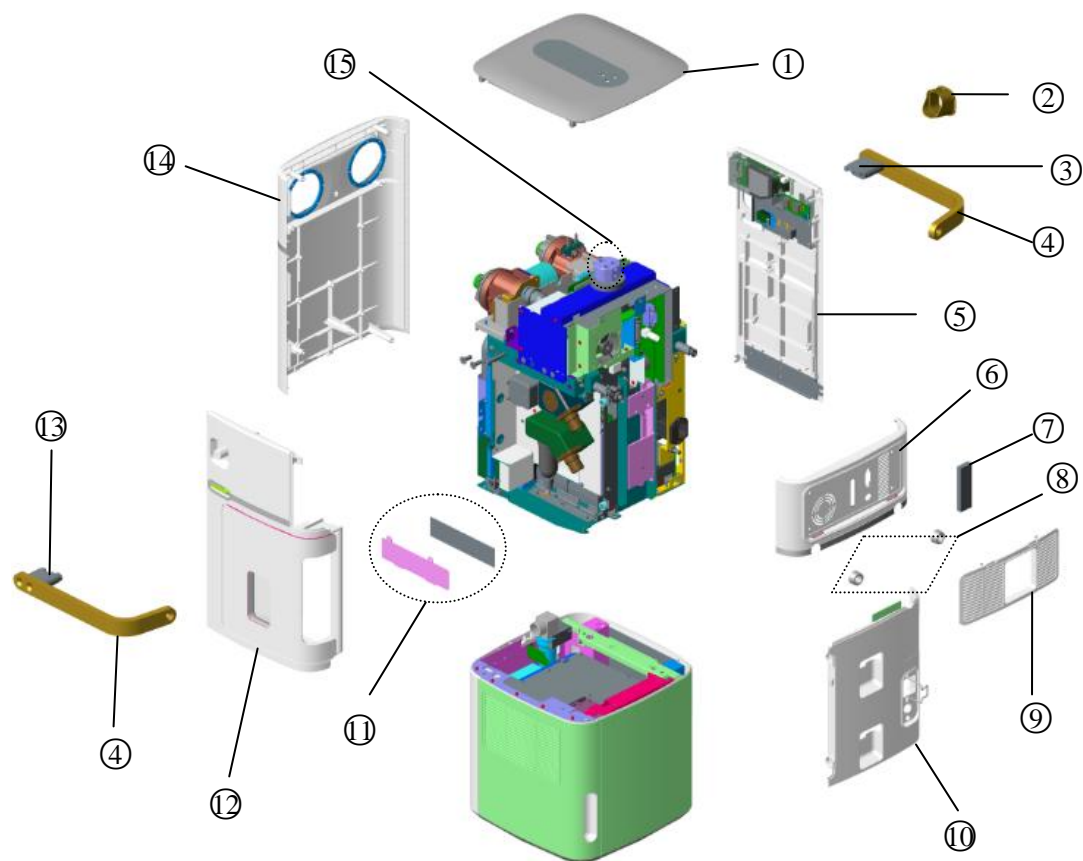


1 Parts

1.1 SV600/SV650/SV800/SV850 Main Unit

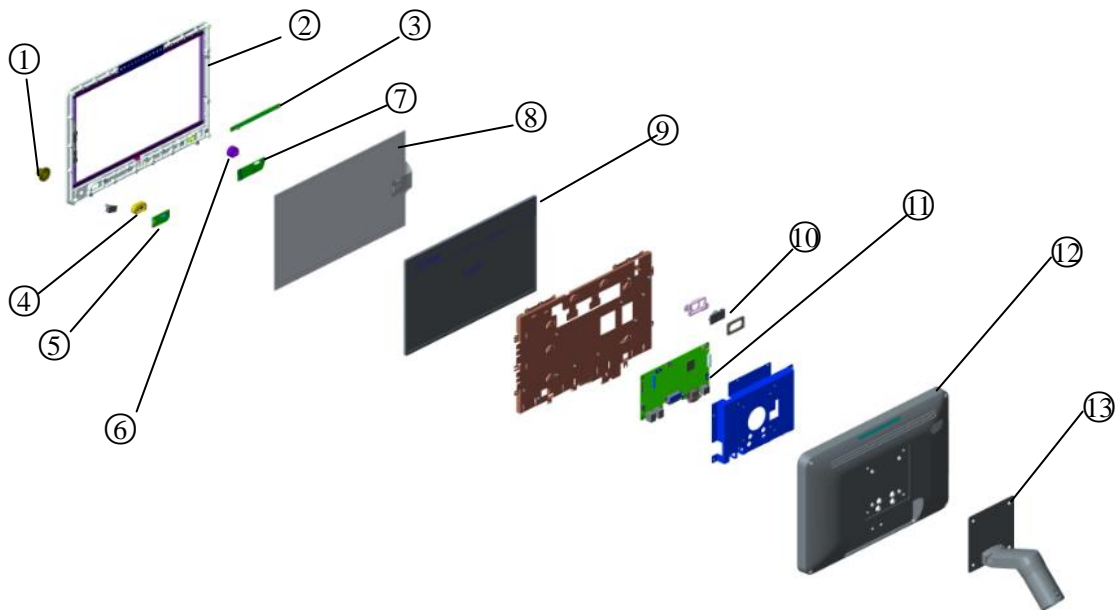


1.2 Parts List

Item No.	Order Number	Part Descriptions	QTY	Remarks
1	115-049782-00	top cover FRU (Gasket)	1	/
2	043-007452-00	expiratory valve OUTLET	1	/
3	044-000978-00	handrail_connecting_left(VT70)	1	/
4	041-023624-00	mainframe_handrail	2	041-023624-00 include only one mainframe_handrail
5	115-039137-00	assembly of left cover(SMR/VT70)	1	refer to the machine's configuration
	115-047044-00	assembly of left cover (No SMR)		
6	115-040873-00	upper back cover asm(VT70)	1	/

7	048-006955-00	filter cotton(VT70)	1	/
8	049-001276-00	rail decorate part(VT70)	2	049-001276-00 include only one rail decorate part(VT70)
9	043-007304-00	Main frame_back_cover_for_air(VT70)	1	/
10	115-049781-00	below-back cover FRU (Inlet Hook)	1	/
11	115-049785-00	host battery cover FRU (cushion)	1	/
12	115-039138-00	assembly of right cover(VT70)	1	/
13	044-000979-00	Handrail_connecting_right (VT70)	1	/
14	115-062989-00	front cover (connection diagram)	1	/
15	041-028603-00	base of arm(VT70)	1	/

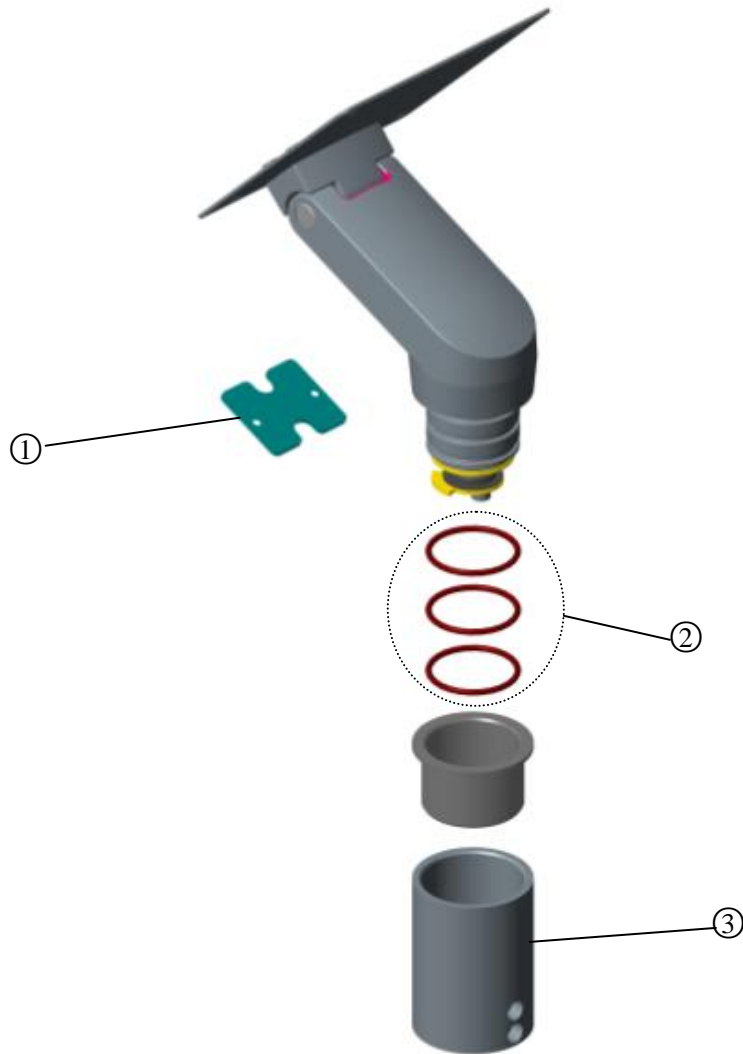
1.3 Display Assembly



1.4 Parts List

Item No.	Order Number	Part Descriptions	QTY	Remarks
1	043-004516-00	EV20 Knob	1	/
2	115-049775-00	SV600 Front cover FRU (light column)	1	refer to the machine's configuration
	115-049776-00	SV650 Front cover FRU (light column)		
	115-049777-00	SV800 Front cover FRU (light column)		
	115-049778-00	SV850 Front cover FRU (light column)		
3	051-002524-00	VT70 alarm light PCBA	1	/
4	049-001311-00	Silence button (VT70-SY)	1	/
5	051-002526-00	VT70 button and encoder PCBA	1	/
6	049-001310-00	Power Button (VT70-SY)	1	/
7	051-002525-00	VT70 switch touch screen control PCBA	1	/
8	021-000313-00	18.5 inch FIVE WIRE RESISTIVE TOUCH PANEL (ELO)	1	refer to the machine's configuration
	021-000310-00	15.6 inch FIVE WIRE RESISTIVE TOUCH PANEL (ELO)		
9	115-049780-00	18.5 inch screen FRU (cable)	1	refer to the machine's configuration
	115-049779-00	15.6 inch screen FRU (cable)		
10	020-000014-01	Speaker 2W 4ohm 500Hz	1	/
11	115-065359-00	VT70 main control PCBA (software/battery)	1	Need to provide machine's SN and function configuration
12	043-012117-00	Back Bezel of 15.6 Inch Monitor (VT70-SY)	1	refer to the machine's configuration
	043-012120-00	Back Bezel of 18.5 Inch Monitor (VT70-SY)		
13	115-038569-00	screen arm(VT70)	1	/

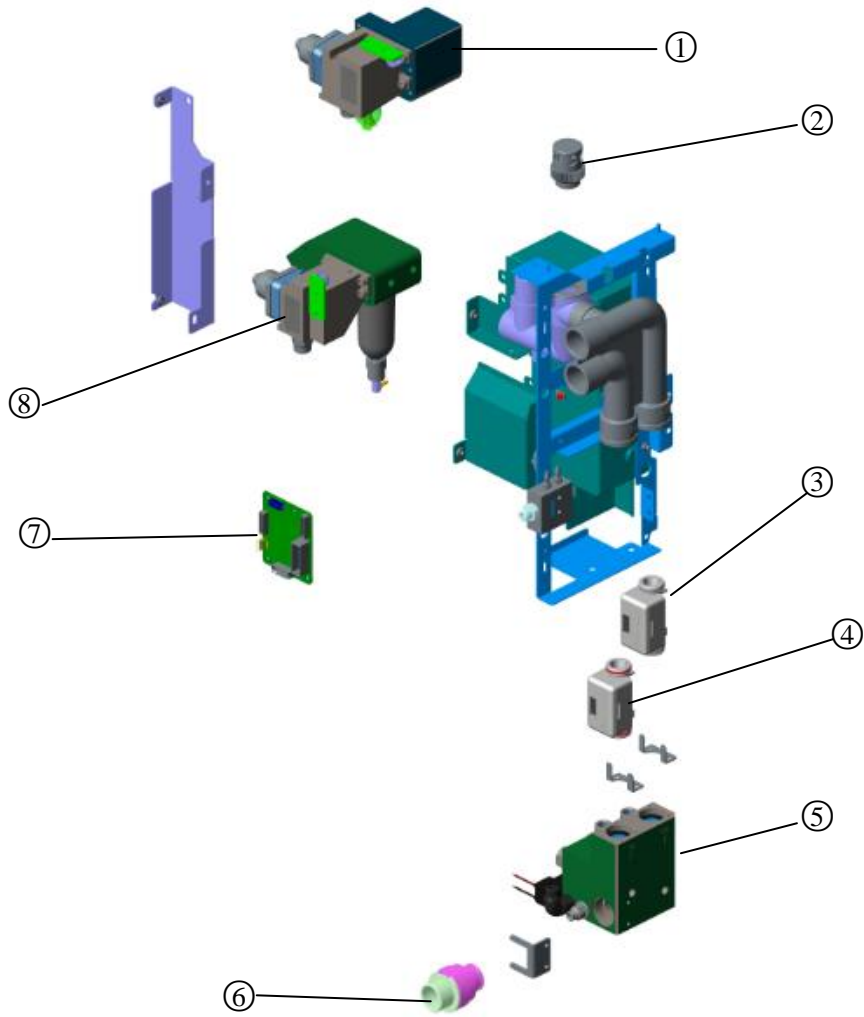
1.5 Display Arm Assembly



1.6 Parts List

Item No.	Order Number	Part Descriptions	QTY	Remarks
1	042-017982-00	display_support_arm_02(VT70)	1	/
2	082-002726-00	O ring 35.5X2.65mm	3	082-002726-00 include only one O ring 35.5X2.65mm
3	041-027257-00	outer ring of arm(VT70)	1	/

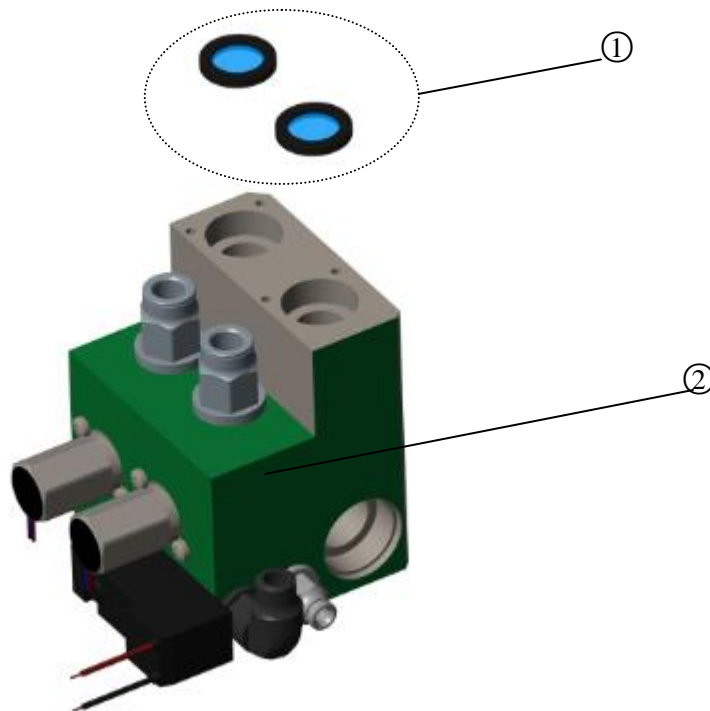
1.7 Main Unit Kernal Assembly(1)



1.8 Parts List

Item No.	Order Number	Part Descriptions	QTY	Remarks
1	115-047055-00	VT70 Oxygen Inlet/NIST	1	refer to the machine's configuration
	115-047048-00	VT70 Oxygen Inlet/DISS	1	
2	115-008960-00	11kPa pressure relief valve	1	/
3	012-000018-00	SENSOR Flow Air 300slpm	1	/
4	012-000019-00	SENSOR Flow Oxygen 300slpm	1	/
5	115-047189-00	VT70 proportional valve component	1	/
6	115-048822-00	Turbine outlet check valve assembly	1	/
7	051-002520-00	VT70 gas inlet adapter PCBA	1	/
8	115-047049-00	VT70 air inlet assembly (NIST)	1	refer to the machine's configuration
	115-047053-00	VT70 Air Inlet/DISS	1	

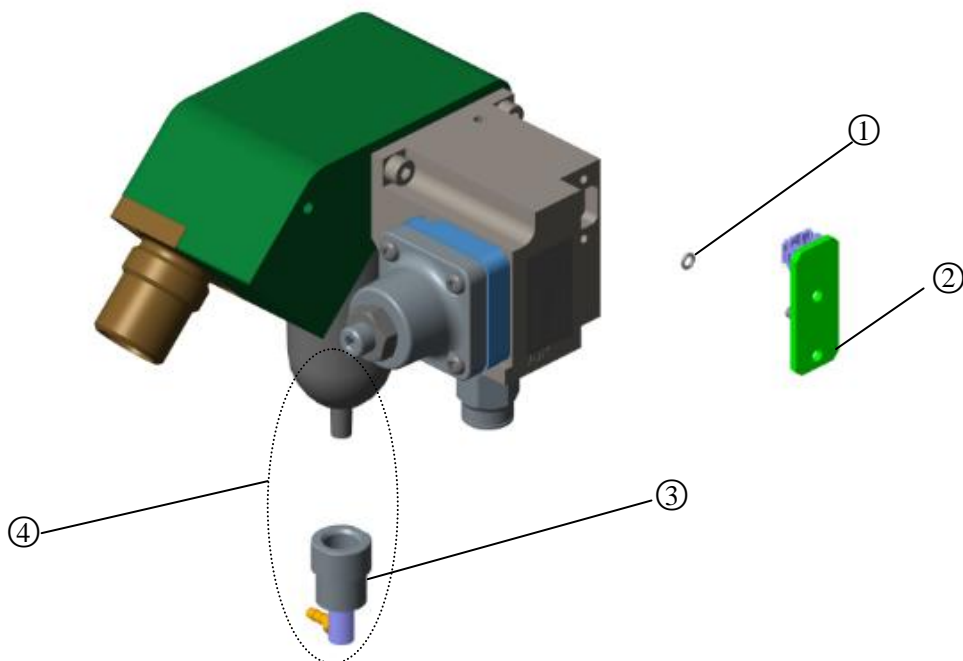
1.9 Proportional Valve Manifold



1.10 Parts List

Item No.	Order Number	Part Descriptions	QTY	Remarks
1	049-001373-00	filter net	2	049-001373-00 include only one filter net
2	115-047189-00	Proportional valve manifold	1	/

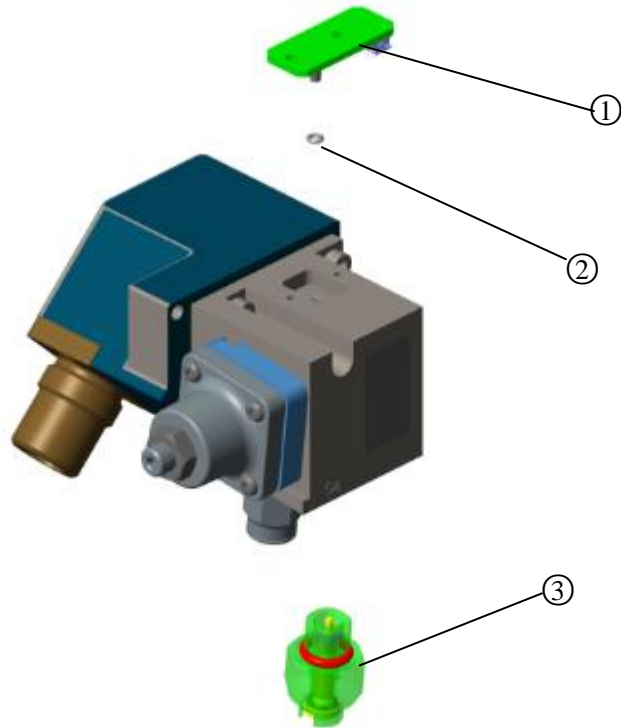
1.11 Pipeline Air Inlet Assembly



1.12 Parts List

Item No.	Order Number	Part Descriptions	QTY	Remarks
1	M6M-010045---	O-ring 2.5X1 EPT A50 black	1	/
2	051-002521-00	VT70 gas inlet pressure sensor PCBA	1	/
3	115-045864-00	VT70 water trap connector	1	/
4	115-049788-00	Air inlet watertrap FRU (connector)	1	/

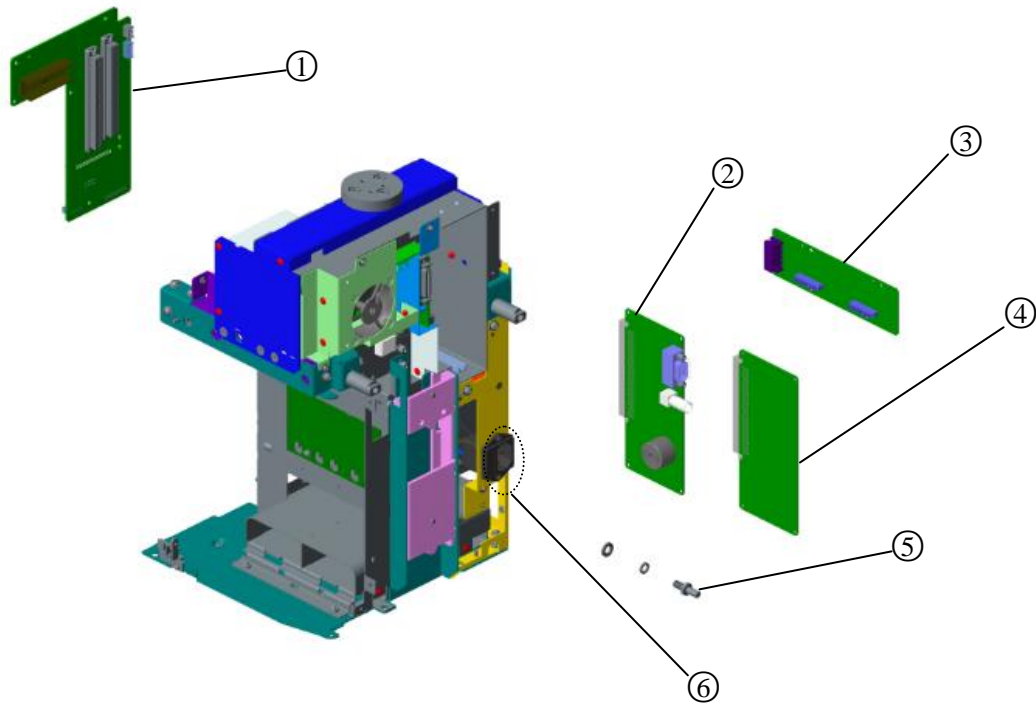
1.13 Pipeline Oxygen Inlet Assembly



1.14 Parts List

Item No.	Order Number	Part Descriptions	QTY	Remarks
1	051-002521-00	VT70 gas inlet pressure sensor PCBA	1	/
2	M6M-010045---	O-ring 2.5X1 EPT A50 black	1	/
3	0611-30-67605	I type pressure relief valve 758	1	/

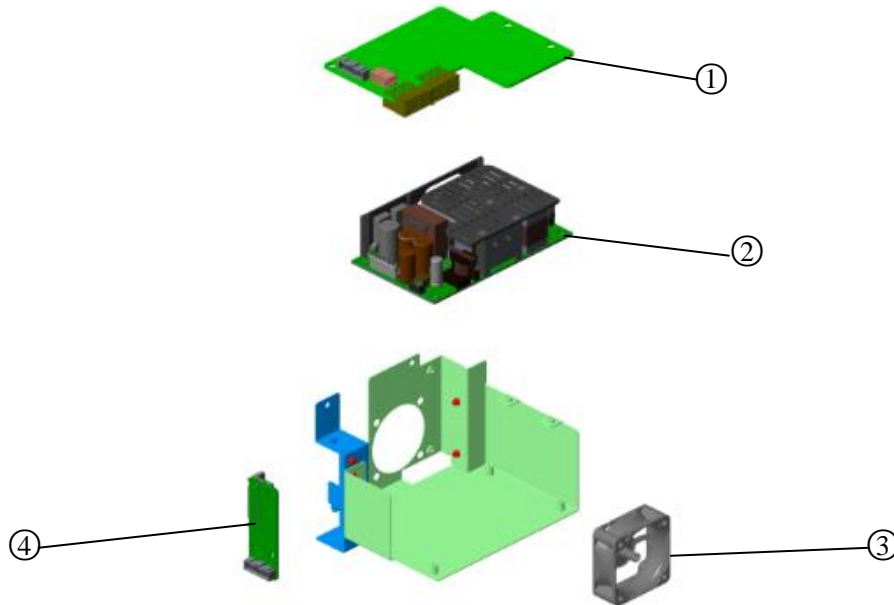
1.15 Main Unit Kernal Assembly(2)



1.16 Parts List

Item No.	Order Number	Part Descriptions	QTY	Remarks
1	051-002529-00	VT70 mother board PCBA	1	/
2	115-065360-00	VCM board PCBA FRU (heater)	1	/
3	051-002542-00	VT70 battery switch PCBA	1	/
4	115-049787-00	VPM board PCBA FRU (software)	1	/
5	0509-20-00098	Grounding terminal	1	/
6	009-006632-00	VT70 power input cable	1	/

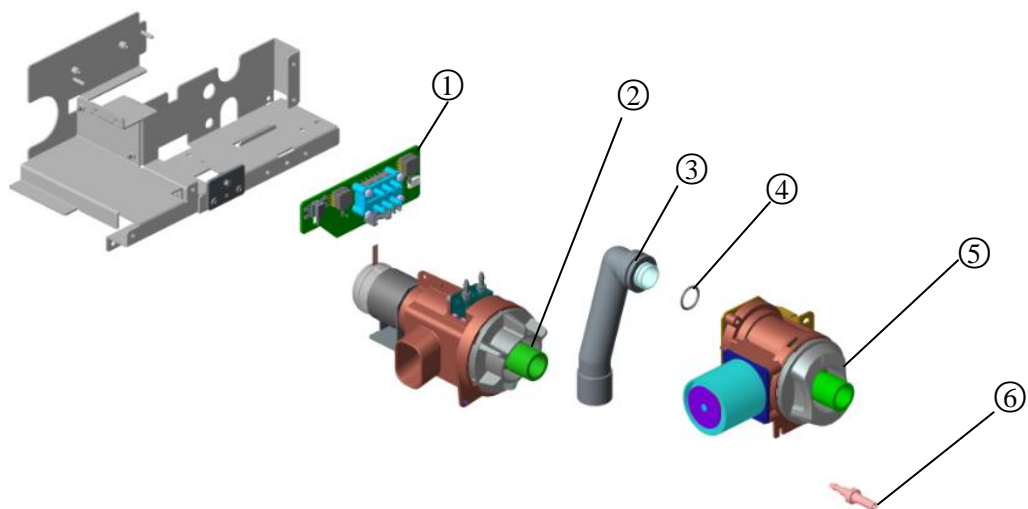
1.17 Power Module



1.18 Parts List

Item No.	Order Number	Part Descriptions	QTY	Remarks
1	051-003614-00	VT70 DC-DC power management board PCBA	1	/
2	022-000291-00	Power 100-240VAC 18.8V 200W	1	/
3	024-000888-00	FAN Unit With Cable	1	/
4	051-002554-00	VT70 Display adapter board PCBA	1	/

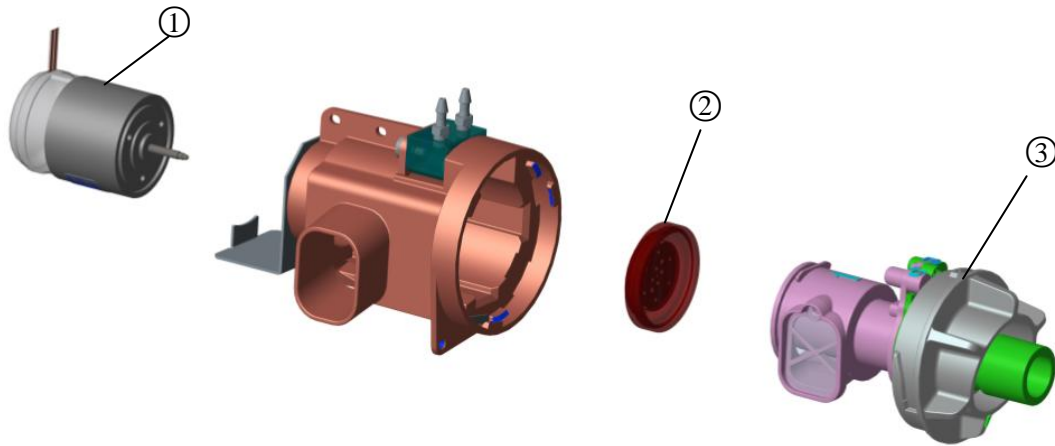
1.19 Main Unit Kernal Assembly(3)



1.20 Parts List

Item No.	Order Number	Part Descriptions	QTY	Remarks
1	051-002518-00	VT70 senser interface PCBA	1	/
2	115-021461-00	disinfected Assembly of expiration valve	1	Only for warranty Service
3	049-001223-00	vortex mixer outlet pipe with ring	1	/
4	082-001288-00	O-Ring 15X1.8 Silicone A50 Black	1	/
5	115-021478-00	Disposable part of safety module	1	Only for warranty Service
6	041-001536-00	Ventilator nebulizer connector	1	/

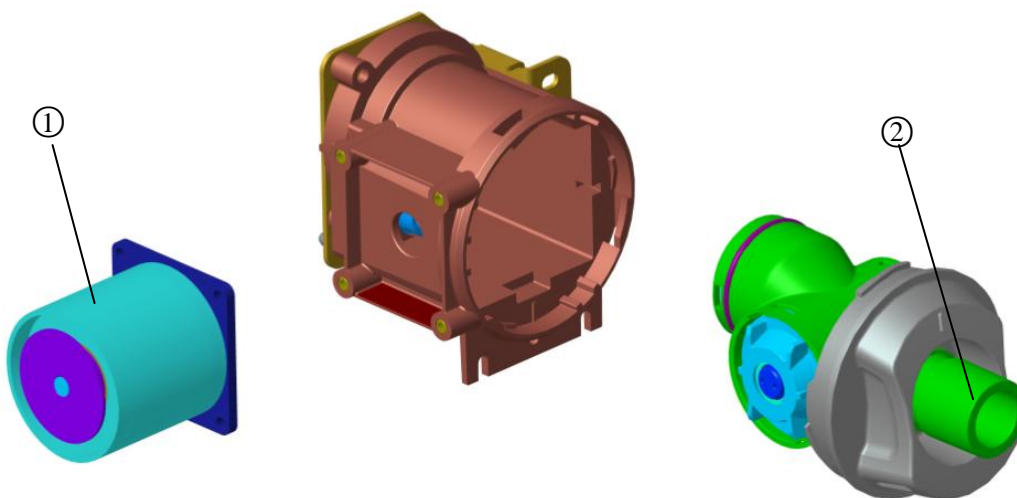
1.21 Expiration Valve Assembly



1.22 Parts List

Item No.	Order Number	Part Descriptions	QTY	Remarks
1	024-000565-00	Voice Coil Motor	1	/
2	049-000778-01	expiration valve membrane	1	/
3	115-021461-00	disinfected Assembly of expiration valve	1	Only for warranty Service

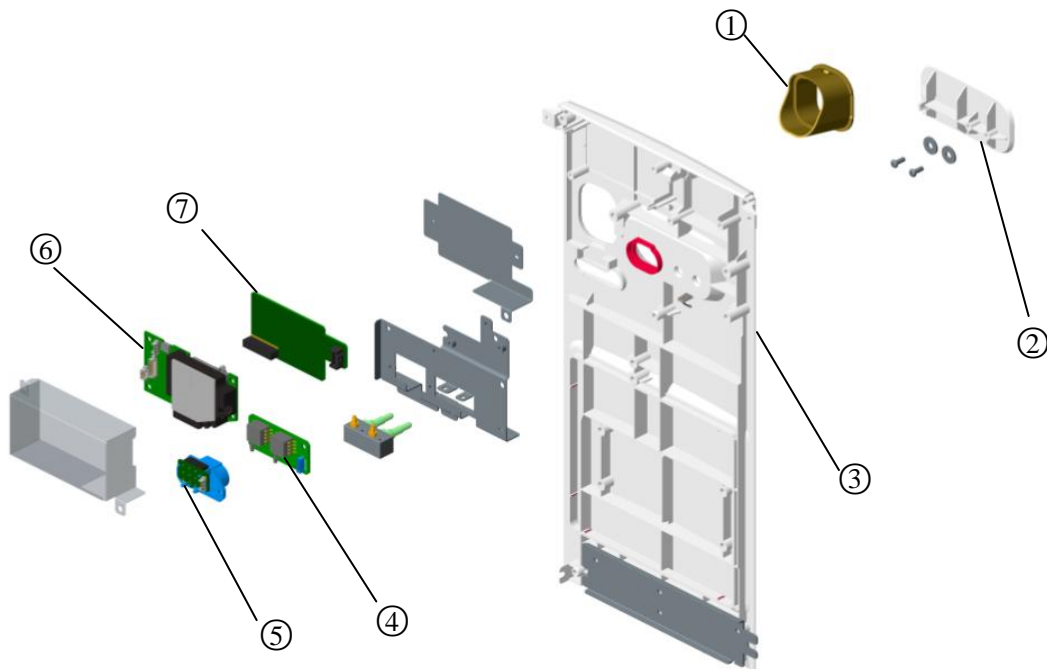
1.23 Safety Module



1.24 Parts List

Item No.	Order Number	Part Descriptions	QTY	Remarks
1	024-000566-00	Electromagnet 12V 48Ohm 4.8mm	1	/
2	115-021478-00	Disposable part of safety module	1	Only for warranty Service

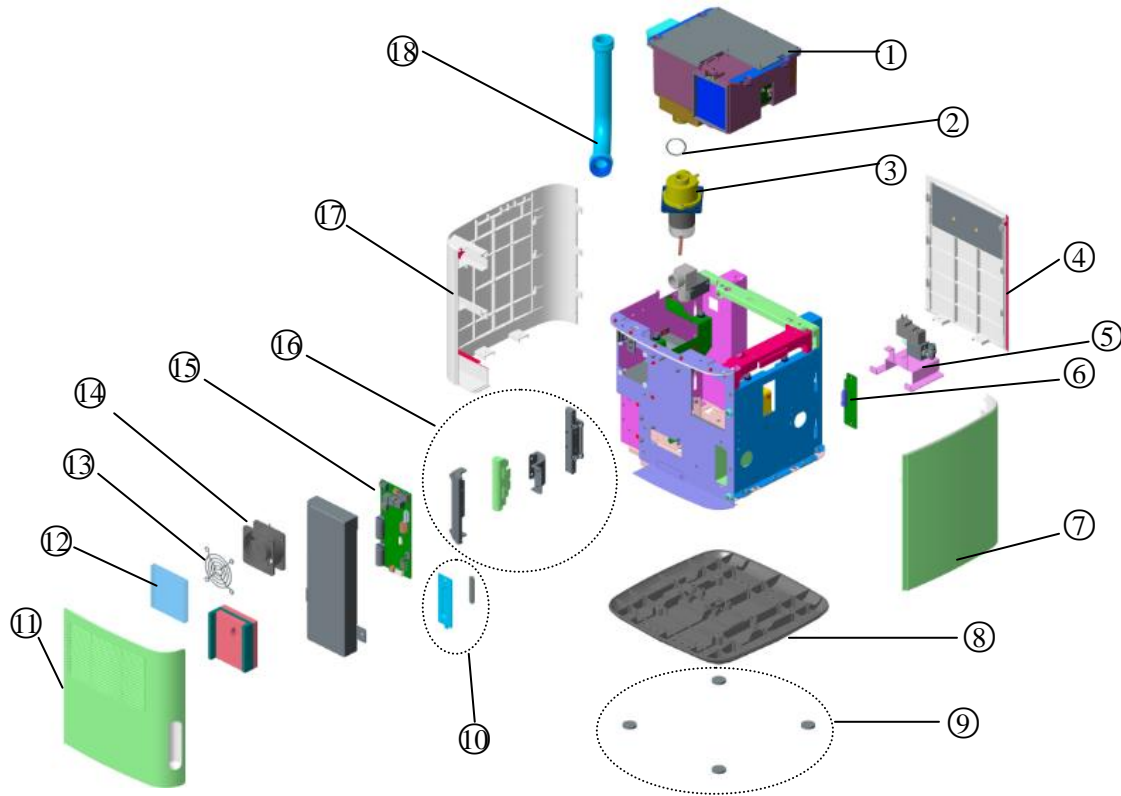
1.25 Main Unit Left Panel Assembly



1.26 Parts List

Item No.	Order Number	Part Descriptions	QTY	Remarks
1	043-012126-00	Expiratory valve outlet	1	/
2	115-047043-00	Small cover Material Package	1	/
3	115-047044-00	assembly of left cover (No SMR)	1	refer to the machine's configuration
	115-039137-00	assembly of left cover(SMR/VT70)		
4	051-002519-00	VT70 lungs internal press PCBA	1	/
5	115-038297-00	Neonatal Flow Sensor Receptacle	1	/
6	115-038411-00	Main unit of neonatal module	1	/
7	051-002901-00	VT70 neonatal module adapter board PCBA	1	/

1.27 Turbine Blower Module

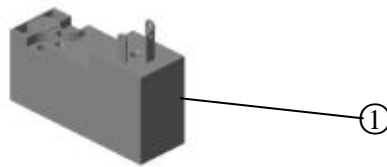


1.28 Parts List

Item No.	Order Number	Part Descriptions	QTY	Remarks
1	115-028051-00	Blower box FRU	1	/
2	082-001500-00	O-Ring 25X2 SIL A50 Crystal	1	/
3	115-020420-00	Large drift diameter inspiration valve	1	/
4	043-008481-00	turbine_left_cover_shell_ASM	1	/
5	115-049044-00	2/3 valve pilot assembly	1	/
6	051-002914-00	VT70 turbine battery transfer PCBA	1	/
7	043-007283-00	turbine_frontt_cover_shell	1	/
8	043-007302-00	mainframe_bottom_cover(VT70)	1	/
9	047-018677-00	Rubber Pad(VT70)	4	047-018677-00 include only one Rubber Pad(VT70)
10	115-049784-00	battery cover FRU (cushion) Battery buffer pad (VT70)	1	1
11	043-008459-00	side door assembly(VT70)	1	/
12	048-006954-00	dust-proof sponge(VT70)	1	/
13	0000-10-11191	Fan cover	1	/

14	024-000102-00	FAN 12V 60*60*25mm 19.1CFM 33.5dB 80mm	1	/
15	051-002522-00	VT70 turbine blower drive PCBA	1	/
16	115-059526-00	hinge for turbine kit	1	/
17	043-007284-00	turbine_back_cover_shell	1	/
18	049-001163-00	silicon tube of INSP outlet	1	/

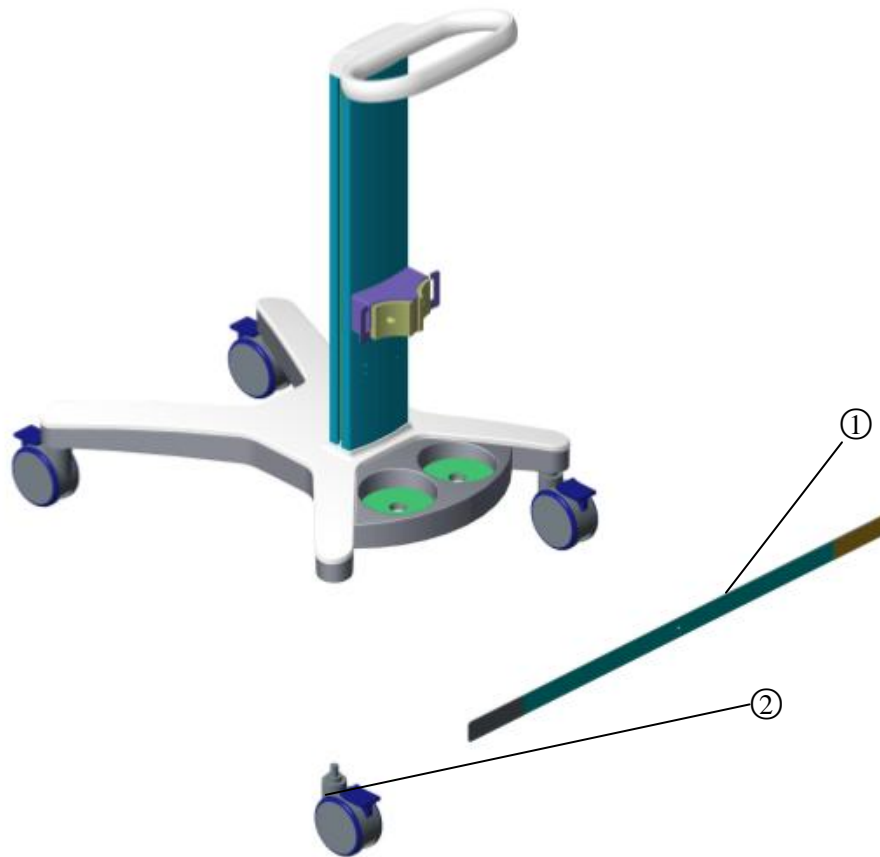
1.29 2/3 Valve Pilot Assembly



1.30 Parts List

Item No.	Order Number	Part Descriptions	QTY	Remarks
1	082-002712-00	Air valve 2 ways 3ports NO DC12V	1	/

1.31 Trolley Assembly



1.32 Parts List

Item No.	Order Number	Part Descriptions	QTY	Remarks
1	040-001966-00	magic strap for EV20	1	/
2	034-000549-00	Caster.4" (grey/white), with brakes	4	034-000549-00 include only one Caster.4" (grey/white), with brakes