

Steel ball valves, full bore

154 series, welding / welding, EN (DIN), DN 100-400, full bore

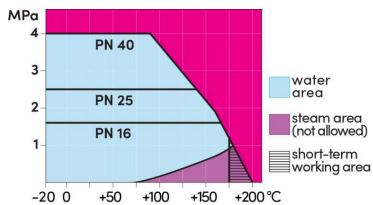
Body	DN 100-400 Steel, P235GH (1.0345)
Ball	DN 100-400 Stainless steel, X5CrNi18-10 (1.4301)
Ball seal	DN 100-400 PTFE+C
Stem	DN 100-125 Stainless steel, X17CrNi16-2 (1.4057) DN 150-400 Stainless steel, X8CrNiS18-9 (1.4305)
Stem seal	DN 100-400 FPM
Operation	DN 100-400 Valve is equipped with manual gear



Operation conditions

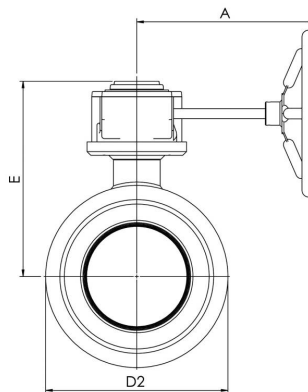
-20 °C – +200 °C
Below -20 °C contact manufacturer
Lowest allowed ambient temperature -40 °C

Leakage rate A (EN 12266-1)

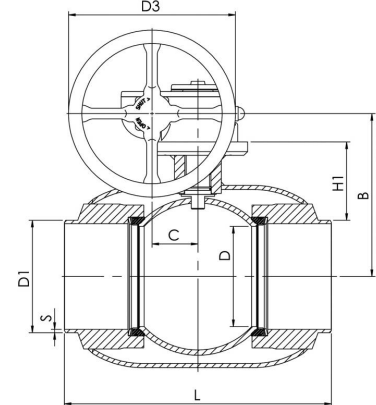


Not for steam

DN 100-400



DN 100-400



DN	PN	Product no.	A	B	C	D	D1	D2	D3	E	H1	L	S	kg
100	25	154100	224	216	53	100	114.3	177.8	200.0	258	124	325	3,6	20.0
125	25	154125	224	236	53	125	139.7	219.1	200.0	279	132	360	3,6	29.0
150	25	154150	268	244	69	150	168.3	273.0	250.0	293	117	400	4,5	61.0
200	25	154200	301	294	97	200	219.1	355.6	300.0	345	135	530	5	113.0
250	25	154250	363	343	117	250	273.0	457.0	600.0	412	158	550	5	164.0
300	25	154300	363	418	117	290	323.9	508.0	600.0	487	206	686	5,6	216.0
350	25	154350	440	500	138	340	355.6	610.0	500.0	573	267	762	6,3	305.0
400	25	154400	471	576	180	390	406.0	660.0	500.0	648	310	914	7,1	603.0