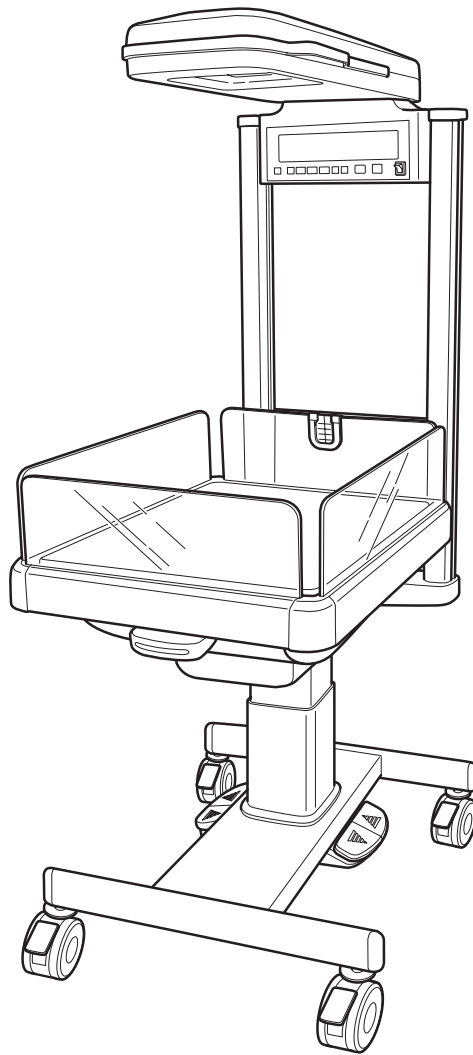


# *Sunflower Warmer*

## Operation Manual



---

### TO THE OPERATOR AND THE PERSON IN CHARGE OF MAINTENANCE AND CARE OF THE UNIT:

- Read this **Manual** carefully before operating the unit.
  - Keep this **Manual** where it is readily accessible for reference when needed.
  - This Manual contains description of all the functions available. Please skip any section unrelated to your unit.
-



**ATOM MEDICAL INTERNATIONAL, INC. EU OFFICE**

Via Libia, 54 - 20081 Abbiategrasso (MI) - Italy

Tel: +39 02 99763101 Fax: +39 02 99763110

# CONTENTS

INTRODUCTION .....	1
--------------------	---

## PLEASE READ WITHOUT FAIL

[1] Operating Precautions .....	8
1-1. ⚠ DANGER .....	8
1-2. ⚠ WARNING .....	9
1-3. ⚠ CAUTION .....	11
[2] Product Variations .....	13
[3] Parts Identification .....	14
3-1. Main Body .....	14
3-2. Operation Panel .....	15

## PREPARATION

[4] Preparation before Use .....	18
4-1. Where to install the Unit .....	18
4-2. Locking the Casters .....	18
4-3. Installing Type Hi-Low/Tilt and Type Cabinet/Tilt, Type Cabinet/Steel, Type Cabinet/Wood .....	19
4-4. Adjusting the Height of the Hi-Low Stand .....	19
4-5. Installing Type Stand .....	20
4-6. Installing Type Wall Mount .....	21
4-7. Power Outlet and Grounding .....	22
4-8. Power Cord and Power Switch .....	22
4-9. Power Failure Alarm .....	23
4-10. Daily Inspection .....	24

## OPERATION

[5] Heat Control .....	25
5-1. Setting the Heater Output (Manual Control) .....	25
5-1-1. Setting Preheating (Manual Control) .....	26
5-1-2. Skin Temperature Monitoring (Skin Temperature Probe: Yellow) .....	27
5-1-3. Heater Output Indicator .....	28
5-2. Setting the Skin Temperature (Servo Control) .....	29
[6] Tilting the Mattress Platform .....	31
6-1. Operating the Mattress Platform .....	31
[7] Other Operation Procedures .....	32
7-1. Timer .....	32
7-1-1. Operating the Timer .....	32
7-1-2. Setting the Timer Mode .....	32

7-2. Rotating the Canopy .....	33
7-3. Baby Guard .....	34
7-4. F-rail .....	35
7-5. X-ray Cassette Tray .....	35
7-6. Setting the Alarm Volume .....	36
7-7. Changing the Temperature Deviation Limit of the Set Temperature Alarm .....	37
7-8. Enabling/Disabling the Key Click .....	37

## MAINTENANCE

[8] Cleaning and Disinfection .....	38
8-1. Main Body .....	39
8-2. Others .....	39
[9] Maintenance Inspection .....	40
9-1. Inspection Before Use .....	41
9-2. Quarterly Inspection .....	42
9-3. Periodical Replacement Parts .....	43
9-4. Inspection Checklist .....	44
9-5. Disposal .....	45
[10] Alarms .....	46
[11] Troubleshooting .....	48

## APPENDIX

[12] Technical Information .....	49
12-1. Technical Data .....	49
12-2. EMC Level and Classification .....	51

Warming time indication (Baby check alarm)	Audible and visual alarms are given every 15 minutes of warming when the heater output is set to a predetermined value or higher in the manual control mode.
Timer	0~60 minutes 00 seconds (in one second increments) Apgar mode/CPR mode selectable
Alarms	Set temperature, baby check, power failure, system failure, skin temperature probe
Mattress platform tilting	Longitudinal tilt of $\pm 13^\circ$ (freely adjustable)

Dimensions

Type	Main body (cm)			Mattress surface height (cm)	Weight (kg)
	(W)	(D)	(H)		
Hi-Low/ Tilt	64	114	177~197	80~100	89
Cabinet/ Tilt	61	106	187	90	96
Cabinet/ Steel	61	106	187	90	96
Cabinet/ Wood	61	106	187	90	85
Stand	73	95	184	*66~86 (Available)	51
Wall Mount	45	95	30	Depending on the wall mount height	20

Mattress: 50(W) x 70(D) x 2.5(T) cm

Accessory

Type	Skin temperature probe	Dust cover	Cord holder	Operation Manual
Hi-Low/ Tilt	1	1	2	1
Cabinet/ Tilt	1	1	2	1
Cabinet/ Steel	1	1	2	1
Cabinet/ Wood	1	1	2	1
Stand	1	×	2	1
Wall Mount	1	×	×	1

Optional accessories & Order No.

Skin Temp Probe, 5mm O.D.(Y)	: 60883
Skin Temp Probe, 10mm O.D.(Y)	: 60882
Dust Cover	: 94201
Cord Holder (5 pkg/box)	: 61071

■ Environment

CO<sub>2</sub> concentration in the baby compartment

When the air mixed with 4% CO<sub>2</sub> is administered to a point 10cm above the center of the mattress at 750mL/min and a stable state is achieved, the CO<sub>2</sub> concentration in the baby compartment should not exceed 0.4%.