

Lot nr.14. Unitate stomatologica (caracteristici de baza) Cod 120110, Peony 2301B, Being Forshan, China

<i>Specificarea tehnică deplină solicitată, Standarde de referință</i>	<i>Specificarea tehnică deplină oferita, Standarde de referință</i>
Unitate stomatologică (caracteristici de baza) Cod 120110 Descriere Reprezintă echipamentul stomatologic esențial pentru igiena dentară și tratament stomatologic Parametrul Specificația Scaun stomatologic Unghi de înclinare de la 100°pînă la 180° Tetieră reglabilă Urcare/ coborîre ≥ 30cm Greutate maximă ≥ 180kg Comandă pedală Suprafața rezistentă la prelucrarea chimică Programe de poziționare minim 3 Accesorii cotiere Scaun medic Suprafața rezistentă la prelucrarea chimică Sarcina maximă ≥ 150kg Înălțime reglabilă Suport spate reglabil Suport picior da Masa dentistului Turbină da Seringă cu 3 căi apă, aer, spray vîrf angulat 90°, detașabil Scaler cu minim 6 vîrfuri cu iluminare LED da Micromotor electric da Piesă contraughi da Braț asistentă Aspirator de salivă 2 furtunuri Filtru pentru impuritati la aspiratoare da Panou de comandă cu aceleași funcții ca la masa dentistului da Bloc hidraulic Bol din ceramică sau sticlă detașabil da Clătitor da Filtru pentru impurități da Posibilitatea programării volumului de apă da Turbină dentară Sistem buton la schimbul borului da Presiune de lucru de la 2.5 pînă la 2.7 bar Sursa de lumină LED Răcire apă/aer minim 3 orificii separate Rotații ≥300000 rot/min Piesă contraughi Rotații ≥40000 rot/min Adaptabilă la micromotor da Autoclavabilă da	Unitate stomatologică (caracteristici de baza) Cod 120110 Descriere Reprezintă echipamentul stomatologic esențial pentru igiena dentară și tratament stomatologic Parametrul Specificația Scaun stomatologic Unghi de înclinare de la 100°pînă la 180° (manual, pagina 4) Tetieră reglabilă (manual, pagina 4) Urcare/ coborîre ≥ 30cm (manual, pagina 4) Greutate maximă ≥ 180kg (manual, pagina 4) Comandă pedală (manual, pagina 4) Suprafața rezistentă la prelucrarea chimică Programe de poziționare minim 3 (manual, pagina 4) Accesorii cotiere (manual, pagina 4) Scaun medic Suprafața rezistentă la prelucrarea chimică Sarcina maximă ≥ 150kg (manual, pagina 4) Înălțime reglabilă (manual, pagina 4) Suport spate reglabil (manual, pagina 4) Suport picior da (manual, pagina 4) Masa dentistului Turbină da (manual, pagina 4) Seringă cu 3 căi apă, aer, spray vîrf angulat 90°, detașabil (manual, pagina 4) Scaler cu minim 6 vîrfuri cu iluminare LED da (manual, pagina 4) Micromotor electric da (manual, pagina 4) Piesă contraughi da (manual, pagina 4) Braț asistentă Aspirator de salivă 2 furtunuri (manual, pagina 4) Filtru pentru impuritati la aspiratoare da (manual, pagina 4) Panou de comandă cu aceleași funcții ca la masa dentistului da (manual, pagina 4) Bloc hidraulic Bol din ceramică sau sticlă detașabil da (manual, pagina 4) Clătitor da (manual, pagina 4) Filtru pentru impurități da (manual, pagina 4) Posibilitatea programării volumului de apă da (manual, pagina 4) Turbină dentară Sistem buton la schimbul borului da (manual, pagina 4-5) Presiune de lucru de la 2.5 pînă la 2.7 bar (manual,

Schimbarea frezei buton Răcire apă/aer minim 3 orificii separate Sursa de lumină Poziții 2 \geq 4000 Lux de la 30 000 Lux conectarea / deconectarea prin senzor Axa de rotație \geq 3

Unghi de iluminare reglabilă

Înălțime reglabilă Tip lumină alb/rece

Detartror (scaler) 5 vârfuluri cu iluminare LED da

Mîner detașabil, autoclavabil da

Frecvența de lucru 25 pînă la 31 KHz

Intensitate reglabilă

Tip virfuri \geq 4

Compresor Fără ulei da

Putere \geq 1,5kw

Revenirea automată la poziția inițială da

Control multifuncțional de la picior mobil

Tensiune 220-240V Frecvența 50-60 Hz

pagina 4-5)

Sursa de lumină LED (manual, pagina 4-5)

Răcire apă/aer minim 3 orificii separate Rotații \geq 300000 rot/min (manual, pagina 4-5)

Piesă contraunghi Rotații \geq 40000 rot/min Adaptabilă la micromotor da(manual, pagina 4-5)

Autoclavabilă da (manual, pagina 4-5)

Schimbarea frezei buton Răcire apă/aer minim 3 orificii separate (manual, pagina 4-5)

Sursa de lumină Poziții 2 \geq 4000 Lux de la 30 000 Lux conectarea / deconectarea prin senzor Axa de rotație \geq 3

Unghi de iluminare reglabilă (manual, pagina 4-5)

Înălțime reglabilă Tip lumină alb/rece

Detartror (scaler) 5 vârfuluri cu iluminare LED da

Mîner detașabil, autoclavabil da (manual, pagina 4-5)

Frecvența de lucru 25 pînă la 31 KHz

Intensitate reglabilă

Tip virfuri \geq 4

Compresor Fără ulei da (manual, pagina 4-5)

Putere \geq 1,5kw

Revenirea automată la poziția inițială da

Control multifuncțional de la picior mobil

Tensiune 220-240V Frecvența 50-60 Hz (manual, pagina 4-5)



Instruction Manual

PEONY-2301B

Product name: Integral Dental Unit

Model: PEONY-2301B

Manufacture: Being Foshan Medical Equipment Co., Ltd.

Register address: A: No. 9, North Park East Road, Shishan Town, Nanhai District, 528225
Foshan, Guangdong, PEOPLE'S REPUBLIC OF CHINA

BEING FOSHAN MEDICAL EQUIPMENT CO., LTD



Version: 4.0 Date: 2017-01-12





Contents

1. User instructions	2
2. Safety notes	3
3. Product description	3
4. Technology specifications	4
5. Installation	4
6. Debugging	6
7. Using and operating instructions	7
8. Maintenance	10
9. Analysis and removal of common faults	11
10. Contraindication and announcements	12
11. Packing list	12
12. Electrical connection diagram	13
13. Water and air connection diagram	14

1. User instructions

1.1 User guide


Read the operation manual carefully prior to the first operations to avoid misuse and prevent damage.


1.2 Target group

This document is for dentists and dental office staff.

1.3 Symbol descriptions

The following symbols may appear in this manual, on the marking label, or on its accessories. Some of the symbols represent standards and compliances associated with the dental unit and its use.


 CE Mark: conforms to essential requirements of the Medical Device Directive 93/42/EEC.


 Date of manufacture.

 Manufacturer

SN Specifies serial number

 Type BF applied part

 Disposal: Do not dispose this product as unsorted municipal waste. Collection of such waste separately for special treatment is necessary.

 Refer to instruction manual / booklet

1.4 Safety Classification

1.4.1 Class II equipment;

1.4.2 Type BF applied part;

1.4.3 IPX4 for footswitch;

1.4.4 Not category AP / APG equipment

1.4.5 Mode of operation:Defibrillation type, chair motor continuous operation;

1.5 General warning

1.5.1 Do not dispose of electrical appliances as unsorted municipal waste, use separate collection facilities. Contact your local government for information regarding the collection systems available. If electrical appliances are disposed of in landfills or dumps, hazardous substances can leak into the groundwater and get into the food chain, damaging your health and well-being.

1.5.2 The device is not suitable for use in the presence of flammable anesthetic mixtures with air or with oxygen or nitrous oxide.

1.5.3 The device requires no calibration.

1.5.4 The device is not repairable and contains no user serviceable parts.

1.5.5 No modification of this equipment is allowed.

1.5.6 The user must check that the equipment functions safely and see that it is in proper working

condition before being used.

1.5.7 The manufacturer does not require such preventive inspections by other persons.

1.5.8 To avoid risk of electric shock, this equipment must only be connected to a supply mains with protective earth.

1.5.9 Do not position the equipment so that it is difficult to operate the disconnection device.

2. Safety notes

2.1 General

The user must ensure that the unit works properly and is in satisfactory condition before each use.

HARMONIC unit is designed for using in dentistry only and may only be used by trained medical personnel. Any other type of use is not permitted.

2.2 Purpose-Proper use

“Proper use” includes following all the instructions for use and ensuring that all inspections and service tasks are performed.

2.2.1 Installation, instructions, expansions, adjustments, changes or repairs were carried out by technicians trained by BEING FOSHAN or third parties authorised by BEING FOSHAN, or by the personnel of authorised distributors.

2.2.2 The unit was operated in accordance with the instructions for use, care and installation.

2.2.3 The unit must be cleaned and serviced according to instructions.

2.2.4 Ensuring four wheels of cart locked when diagnosis and cure, preventing medical negligence.

2.3 There is Emergency Red Switch on the back of each BEING FOSHAN dental chair, under any situations pushing the red button of switch, dental chair will stop at once.

3. Product description

3.1 Structure diagram



3.2 Environmental requirements

3.2.1 Operating conditions

Temperature: 5°C - 40°C

Humidity: 15% - 93% RH

Pressure altitude: 700 hPa - 1060 hPa

3.2.2 Storage and shipping conditions

Temperature: -25°C - 70°C

Humidity: 15% - 93% RH

Pressure altitude: 700 hPa - 1060 hPa

4. Technology specifications

Dental chair:

- Dental chair can be adjusted between 100 and 180 degrees
- Adjustable headrest
- Adjustable height from 30 cm and up
- Allowed maximum load from 150 kg and up
- 2 armrests,
- Multifunctional pedal, initial position button,
- Minimum 3 presets for chair position,
- Emergency stop button

Doctor's chair:

- Doctor's chair maximum load from 150 kg and up, height can be adjusted, footrest, backrest,
- Emergency stop button

Doctors console:

- Turbine terminal, with led, with turbine min 300000 RPM, 3-way irrigation, with button for bur. Possibility to adjust turbine's water volume
- Water/Air/Spray Syringe, angle 90 degrees, detachable
- Scaler with led, 6 tips, adjustable intensity, detachable handpiece, 25-31 kHz
- Electric micromotor with CA 1:1 with led (40000 rpm)

Assistant's console:

- Saliva and surgical suction
- The same controls like in the doctor's console
- Hidro unit, with detachable cuspidor, washer, equipped with filter
- Curing light
- Intraoral Camera, CCD sensor (with USB connection to the computer)
- 19 inch Monitor

Lighting:

- Led light, adjustable on 3 axis, more than 20000 lux (with possibility to adjust the intensity), 4000-5000K light temperature

Compressor:

- oil free
- minimum power 1,5kWh

High speed air turbine HP's no-load speed(air pressure0.22Mpa)	≥300×1000rpm
Low speed air motor's no-load speed (air pressure0.30Mpa)	≥18×1000rpm
Electric micro motor's no-load speed	2×1000rpm~ 40×1000rpm
Illuminance of operating lamp	20000~23000lx, 4000-5000K
Film viewer bulb's luminance	≥2000cd/m ²
Dental Chair's jack-up capacity	≥150 kg
Maximum height from the chair seatrest to ground	≤800mm
Minimum height from the chair seatrest to ground	≥300mm
Scope of dental chair backrest leaning back	100 °~180 °
Scope of headrest moving	100mm, adjustable
Dimension of bottom board	90 x 80mm
Grid Power	AC100V~230V, 50/60Hz, 400VA
Max consumed power	290W
Air pressure	0.5~0.8Mpa
Water pressure	0.2~0.4Mpa
Air displacement	55L/min
The total Weight	N.W.:250.00kgs G.W.:280.00kgs
Foot pedal	Multifunctional
Memory preset	≥3 positoins
Emergency stop button	available
Doctor's chair	load ≥150 kg, height adjustable, with footrest, backrest

-
-
-
-

Accessories: Fuse 5A , Operation manual, Water tube & air tube 2m

Applied part: High speed air turbine hand-piece, Low speed air motor (electric micro motor), contra angle and straight handpiece, 3-way syringe, suctions, led curing light, ultrasonic scaler, intraoral camera.

- Water/Air/Spray Syringe, angle 90 degrees, detachable
- Scaler with led, 6 tips, adjustable intensity, detachable handpiece, 25-31 KHZ
- Saliva and surgical suction
- Hidro unit, with detachable cuspidor, washer, equipped with filter
- Curing light
- Intraoral Camera, CCD sensor (with USB connection to the computer)

EMC Declaration according to IEC60601-1-2.

5. Installation

5.1 Installation conditions

The installation site of the dental unit depended on the overall working situation in practice, such as daylighting, easy operation etc. The working situation required should be clean, dry, ventilated and cool; The floor should be smooth and firm, no obstacles for dental unit operation.

5.2 Installation preparation

Referring to Figure 1, Figure 2 and Figure 4 positioning air inlet pipe, water inlet pipe, drain-pipe and cable pipe on floor of practice.

5.2.1 The outer diameter of both “water inlet pipe” and “air inlet pipe” is same as 22mm (namely ZG1/2”), bends should be 10mm higher than floor (there should be thread inside of bends ZG1/2”).

5.2.2 The outer diameter of drain-pipe is 48mm (namely ZG1/2’)

5.2.3 The cable pipe should be 90mm higher than floor.

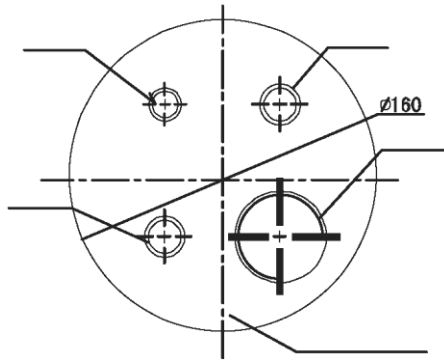


Figure 1

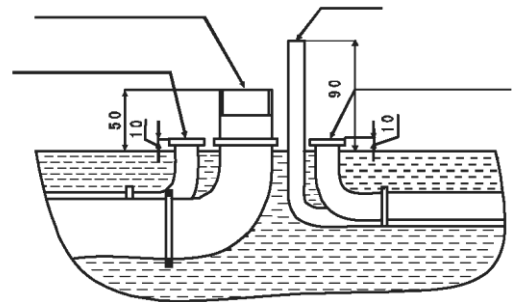


Figure 2

5.3 Installation steps

5.3.1 Taking down the front cover component before installation.

5.3.2 Placing dental unit at proper position refer to Figure 3, making marks on the floor for screws.

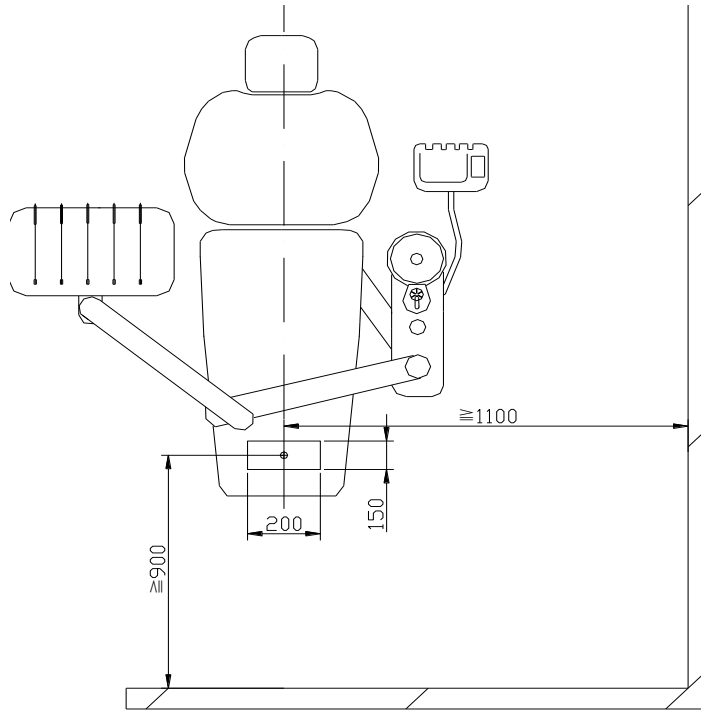


Figure 3 installation layout

5.3.3 Drill screws installation holes on floor according to marks and move back the dental unit.

5.3.4 Adjusting dental unit to steady level and using the self-tapping screw to tighten the dental unit, then place the front cover back the proper position, installation end.

5.4 Installation of the pipeline

Cleaning the water/air inlet pipe, respectively connecting them with pipes of city potable water and air compressor. Connecting drain-pipe of dental unit with drain-pipe on floor of practice, drainage must be smooth.

5.5 Installation method of lamp arm and operating lamp

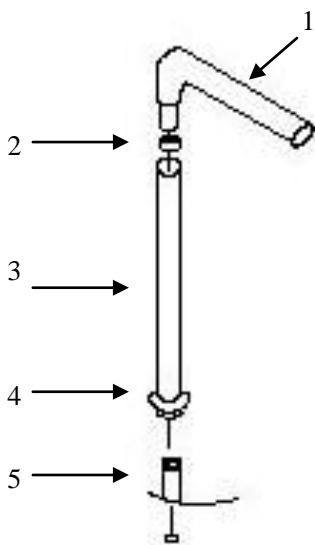


Figure 4

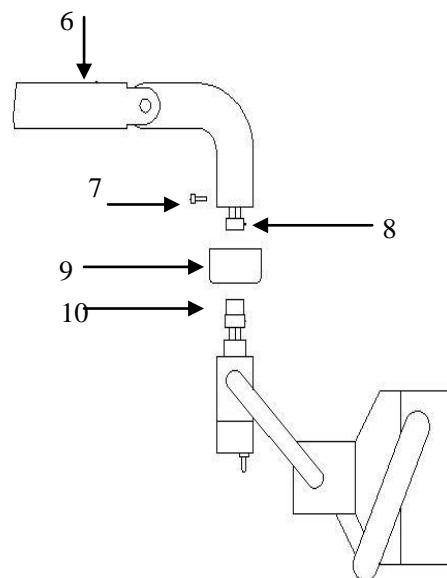


Figure 5

1	Lamp arm	2	O ring	3	Lamp pole
4	O ring	5	Shaft of side box	6	Lamp arm
7	Bolt	8	Connector	9	O ring
10	Connector				

6. Debugging

6.1 Open the compressor air source and check the gas-pressure meter below the air filtering & reducing-pressure valve whose value should be 0.50~0.55Mpa. If the gas pressure is too large or too small, the gas pressure of the air filtering reducing valve needs to be debugged to make it vary following the above-mentioned value. (The concrete method is open the front cover, pull the knob at the top of the air filtering&reducing-pressure valve upward, and then revolve the knob in the direction of clockwise to increase the pressure; revolve it in the direction of anti-clockwise, the pressure will be reduced) .

6.2 **Firstly**, after water and air supplies were normally connected, pls connect the power, and then turn on the general air switch (**NOTE**: it is located at right side of Instruments Tray), our dental unit will singsound “Bi----” showing the water, air and power supplies have been connected well.

Secondly, turn on the Operating lamp and observe whether the strong and weak two-gear light change is normal. (refer to Using and Operating Instruction)

6.3 Take off each connection heads of these air turbine Hand-pieces and three Way Syringe from the holder respectively, step on the Foot Control of dental unit to discharge water and air inside the pipeline 1 minute, and then install hand-pieces (high-speed and low speed) to connection heads.

Notes !: Ensuring bur installed in Hand-piece when testing, lest any damage.

6.4 There are all control knobs at instruments Tray, including air/water pressure adjustment valves for handpieces and syringe, power adjustment valve of scaler and general air switch.

Adjusting air/water pressure adjustment valve to proper value. Read value by gauge on the tray.

(**remarks**: for high speed air turbine Handpiece, value is 0.22 – 0.24 Mpa; for low speed air turbine handpiece, value is 0.3 – 0.34Mpa)

6.5 Press key “mouthwash water” and “spittoon flushing” slightly to check whether the water flow is normal or not. (water flow rate set pls refer to “Using and Operating Instruction”)(**Remarks**: the temperature of mouthwash water is fixed value, not adjustable)

6.6 Saliva ejector (weak/strong suction) checking: taking a cup of water and put the saliva ejector into water to observe whether it is absorbing water smoothly (finishing about 250ml water within 30 seconds means normal).

6.7 Check of Three Way Syringe. Three Way Syringe has two buttons separately, one is for air and the other is for water, while you press them together, the nozzle spray vapor.

6.8 Check of pure water supply system. Pure water storage bottle is inside the side case and it can be independently used for three Way Syringe and Handpieces of instrument Tray.

Switching the knob at side case of dental unit to change water supply between tap water and pure water.

6.9 Check the chair movement separately by keys: Backrest down/up and Seatrest down/up.

Note! During the operation, pls clear all obstacles around the dental chair in case of accidents.

6.10 Check of operating lamp, press the key: operating lamp, lamp will light on, then operating lamp can light on/off by sensor.

6.11 Check of film viewer, press the key: film viewer, the film viewer will light on.

7. Using and operating instructions

7.1 Marks and functions of each keys on the main/vice-control panel are shown in the following picture.

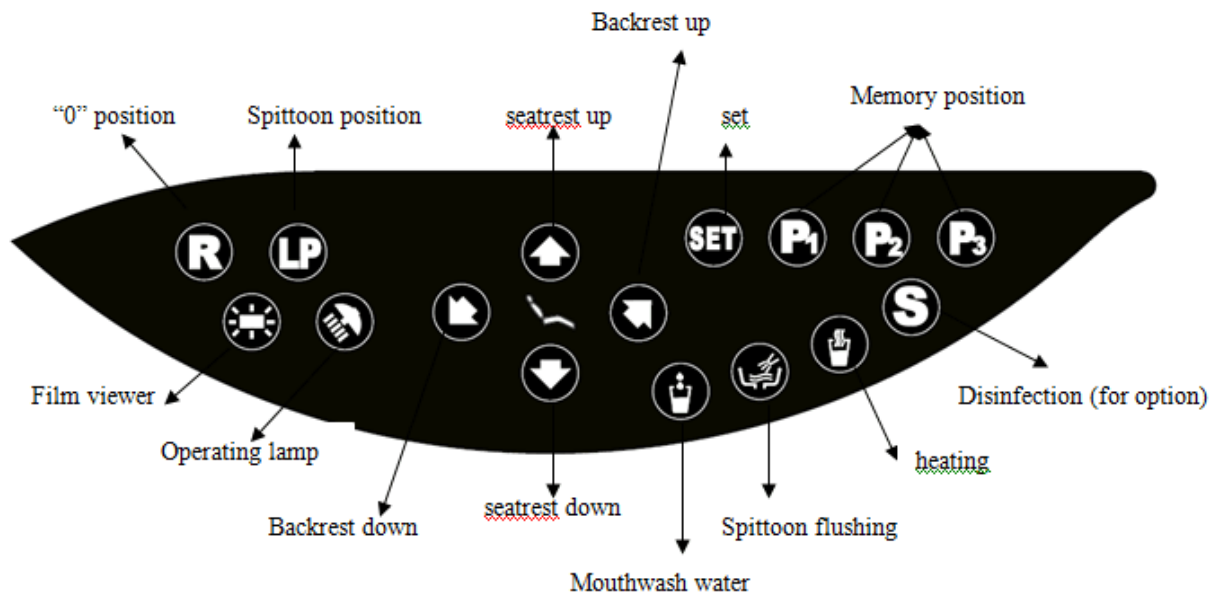


Figure 6 main control panel

7.2 Statements of Marks and functions of each keys:

7.2.1 Seatrest up/down: seatrest move up or down.

7.2.2 Backrest up/down: backrest move up or down

7.2.3 Zero position

Press the key, dental chair will move to zero position automatically. Zero position means: seatrest down to limiting position, backrest up to limiting position. Press any key to stop

7.2.4 Spittoon flushing

Press key to flush spittoon automatically, press again flushing stop.

7.2.5 Mouthwash water

Press the key to pour water, press again stop.

7.2.6 Disinfection (if applicable)

Press disinfection key, disinfection indicator light on, start to disinfect for pipes. Disinfection time set 90s (within 90s, the disinfection process will stop if pressing disinfection key again)

7.2.7 SET

7.2.7.1 Mouthwash water set

Step 1. Press SET key, SET indicator on;

Step 2. Press mouthwash water key, water supply start, keep to press key until cup is full of water, then release, water supply stop.

Step 3. Press SET key again, SET indicator light off.

7.2.7.2 Flushing spittoon

Step 1. Press SET key, SET indicator on.

Step 2. Press spittoon flushing key, the time of flushing spittoon is as follows:

- Pressing one time, flushing time is 55s, indicator flash one time
- Pressing two times, flushing time is 30m, indicator flash two times
- Pressing three times, flushing time is 60m, indicator flash three times
- Pressing four times, flushing time is 12s, indicator flash four times (only for factory using)

Step 3. Press SET key again, SET indicator light off.

7.2.8 Memory position

There are 3 memory positions for user, SET ways as follows:

Press "SET" key indicator on, adjusting seatrest & backrest to suitable position, Press key P1, then Press "SET" key, SET indicator off, the position given stored in P1. Under any situations, Press key P1, both seatrest and backrest will automatically move to position stored. Repeat above steps to set P2, P3.

7.2.9 Operating lamp on/off

On/off by hand: Press key operating lamp, lamp on again lamp off.

On/off by sensor: Press key operating lamp, lamp on, put hand close to the sensor area of lamp the lamp off, put hand again lamp on.

7.2.10 Film viewer on/off

Press key film viewer, film viewer on, press key again, film viewer off.

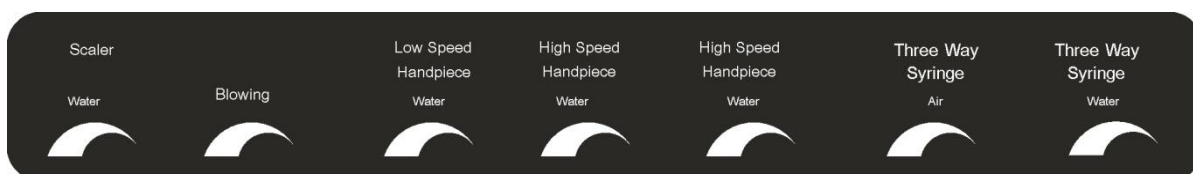
7.2.11 Spittoon position

Press this key, backrest move to the pre-set mouthwash position, press it again, backrest will back to the original position automatically; press any key to stop.

7.2.12 General switch

General switch is mounted on the right side of the instrument Tray, switching on, the whole dental unit's water supply, power and air source will be turned on, switching off, all will be turned off.

7.2.13 Control knobs at the right side of instrument Tray. As shown in the following pictures:



7.2.19 Foot control

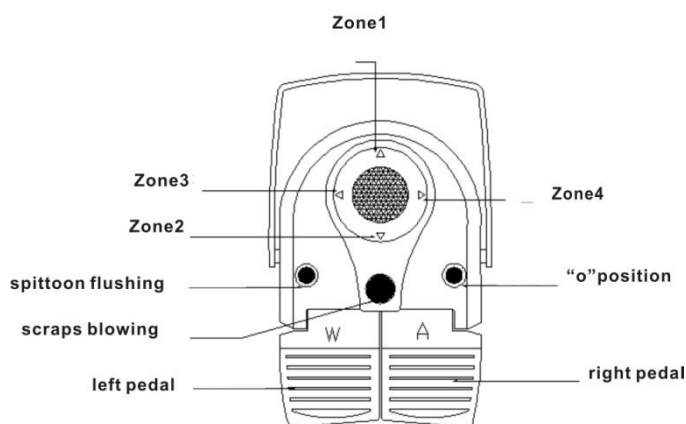


Figure 7 foot control

7.2.19.1 Zone 1: seatrest up; zone 2: seatrest down; zone 3: backrest down; zone 4: backrest up.

7.2.19.2 Spittoon flushing & zero position refer to point 7.2.4 and point 7.2.5

7.2.19.3 Scraps blowing: step it, hand-piece will have air to blow scraps

7.2.19.4 Right pedal (A): step it, hand-piece start to work

7.2.19.5 Left pedal (W): step it, hand-piece will have water supply

Step A & W at same time, hand-piece start to work and spray!

8.Maintenance

Daily maintenance shall keep the equipment clean, the pipeline smooth and removal of leakage and lubricating oil on the turning parts timely to ensure the equipment works with good conditions.

8.1 To guarantee the normal using of this equipment, water/air filter has been mounted on the water/air-inlet position inside the equipment's case preventing impurities inside the water and air from entering the equipment. But after it was used for a certain time, dirt may block the filters and affecting water/air flowing, so pls clean it in time.

8.1.1 Generally speaking, the water filter shall be cleaned or replaced as long as one of the following situations occurred:

- a) Over one year using.
- b) Pressure lost of the filters is over 0.1Mpa.
- c) The water filter is polluted.
- d) Water supply is getting muddy.

8.1.2 Methods for cleaning or replacement of the water filter:

- a) Cut off power and water supplies.
- b) Open the front cover of dental chair and then unscrew the transparent plastic cup of water filter in anti-clockwise direction.
- c) clean or replace it.

8.1.3 Generally speaking, for air filter once one of the following conditions occurred, the water drainage must be conducted to the air filter:

- a) Over one week using.
- b) Water inside the filter cup has over 3/4 of the volume.
- c) Water inside the filter cup has changed color (instead of colorless and transparent water).

8.1.4 Methods for water drainage:

- a) Cut off power and water supplies.
- b) Open the front cover of dental chair, press the three way syringe till to exhaust the remained air inside the equipment, unscrew the water drain valve plug located on the bottom of the air filter to drain all water out and then Screw it tightly.


8.2 Hand piece are precision and valuable devices and are key devices to be maintained. Please read user's manual of hand piece carefully before using. Every day clean and oil and pieces with the temperature vapor disinfections and oiling as specified (High-temperature vapor disinfection: 135°C for 15min).

8.3 Lamp light film of the oral cold light should be maintained in normal temperature; clean it with soft cloth and clean water slightly; however the inner part (upper face) of the light film cannot be wiped instead only through blowing the dust away with compressed air (LED lamp not applicable).

8.5 During the suction of spit, solid dirt is often discharged together with the spit and stockpiled inside the filter, so the spit sucking filter should be cleaned regularly (Every day is better).

8.6 Surface and appearance of Electric Dental unit and Seat cushion should be cleaned regularly, and medical alcohol can be used to wipe, clean and sterilize the surface.

8.7 Turn off the power supply, and open the front cover. Use medium size screwdriver to remove the fuse cup. Then install a new fuse.

 **WARNING!** We advise performing the maintenance operations for the instruments with the equipment turned off.

9. Analysis and removal of common faults

Faults	Reason analysis	Way of exclusion	Remark
Oral Bulb is not enlightened	Burnt out bulb Poor contact of light film Poor contact of connector and contact chip Wire inside the turning joint is twisted off	Change the bulb with the same model Revise with tools Plug in after tool revising Change new wire	12V 50W
Water outlet of the mouthwash can't be closed	Obstacles have locked the valve plug of the magnetic valve	Unpick and wash the valve plug	
Mouthwash failed to flow out	Water pipe has been twisted and hollow Coil of the magnetic valve is burnt out	Neaten or change a new pipe Change a new magnetic valve	

Drainage of the jar flushing is not smooth	Pipeline has been blocked by dirt The plastic pipe has been hollow Drain-pipe line has appeared W-shape	Remove the dirt Unpick and soak it in hot water to rehabilitate or change a new pipe Straighten the pipe	
Suction and spit are not smooth	Dirt is inside the pipe Dirt is inside the filter Piston of the duplex air control valve is not on right position	Absorb clean water for cleaning or unpick and clean it with clean water Unpick the filter, clean and then recover it Unpick the piston, clean it with alcohol and recover it after smearing silicone grease on the O ring	
Sputum flushing has no water flowing out	Water pipe has been twisted and hollow Coil of the magnetic valve is burnt out	Neaten it or change a new pipe Change a new magnetic valve	

10. Contraindication and announcements

10.1 Contraindication:

10.1.1 Forbidden for hemophiliac.

10.1.2 Forbidden for patients and doctor with cardiac pacemaker.

10.1.3 Caution in cardiac path, pregnant woman and children.

10.2 Announcements:

10.2.1 Ensure the equipment's outer power supply and grounding environment good and stable.

10.2.2 There's no component allowing customer's repairing on this equipment, and disassembling by the customers themselves are prohibited if faults occurred.

10.2.3 This equipment should be away from the environment with high temperature, high humidity, vibration, inflammable, out-of-balance and superfluous smoke during its operation.

10.2.4 There's no reach of any object within the equipment's working and moving scope.

10.2.5 Get rid of the water logging inside the air filtering reducing valve and clean or change the filter element immediately.

10.2.6 The dental chair should be descended to the lowest position during out of operation and turn off the general air switch.

10.2.7 The equipment is prohibited to be used in condition of hidden dangers which are obvious or can be

foreseen, and the dangers may cause damages to the patients or medical workers.

10.2.8 This equipment is not allowed to be used in the site with too strong electromagnetic radiation.

10.2.9 Personnel without professional training are not allowed to use this equipment to prevent wrong operation.

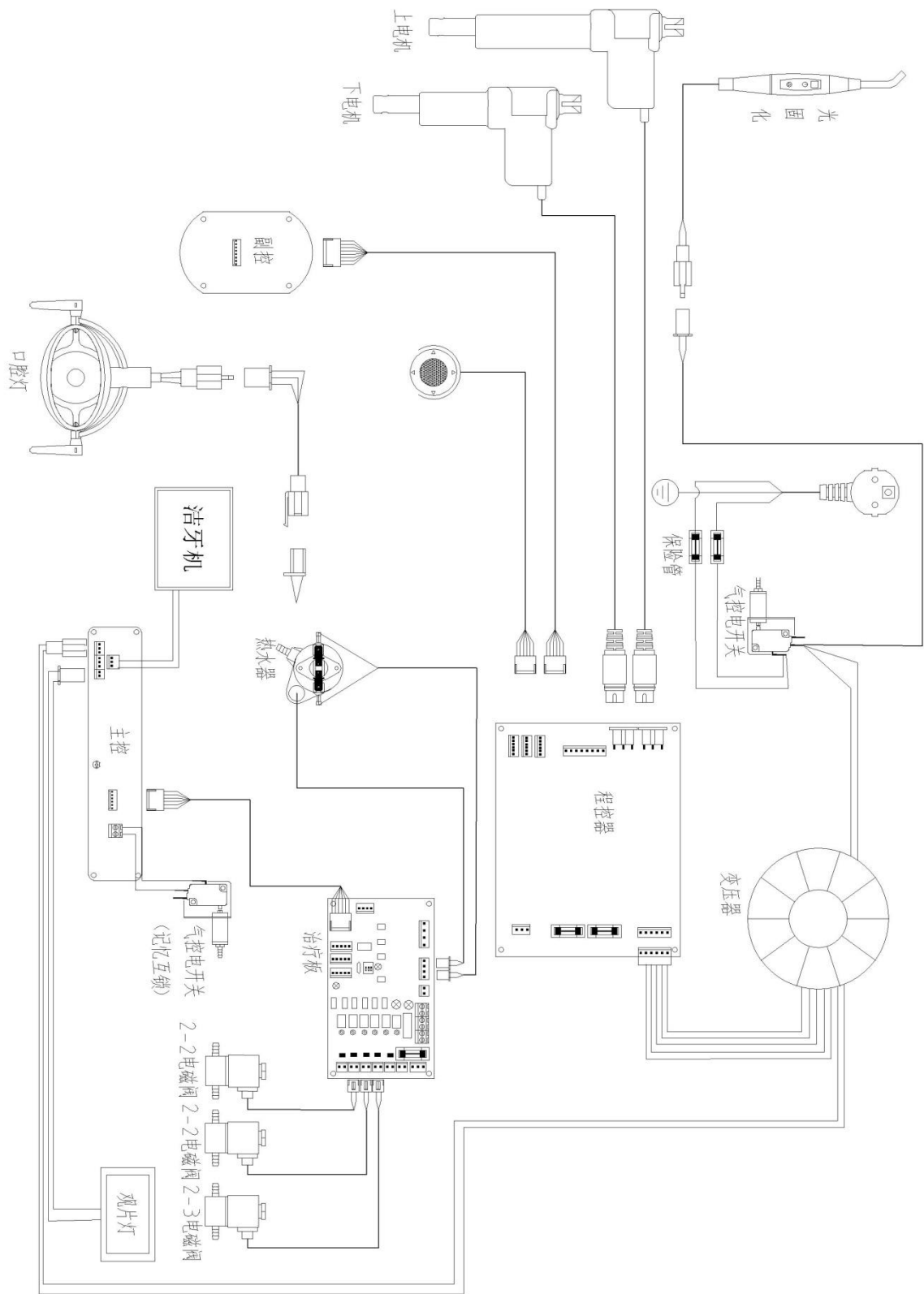
10.2.10 This machine has discontinuous operation.

10.2.11 This machine and its accessories should be declared worthless after its using life was expired according to the local laws and regulations.

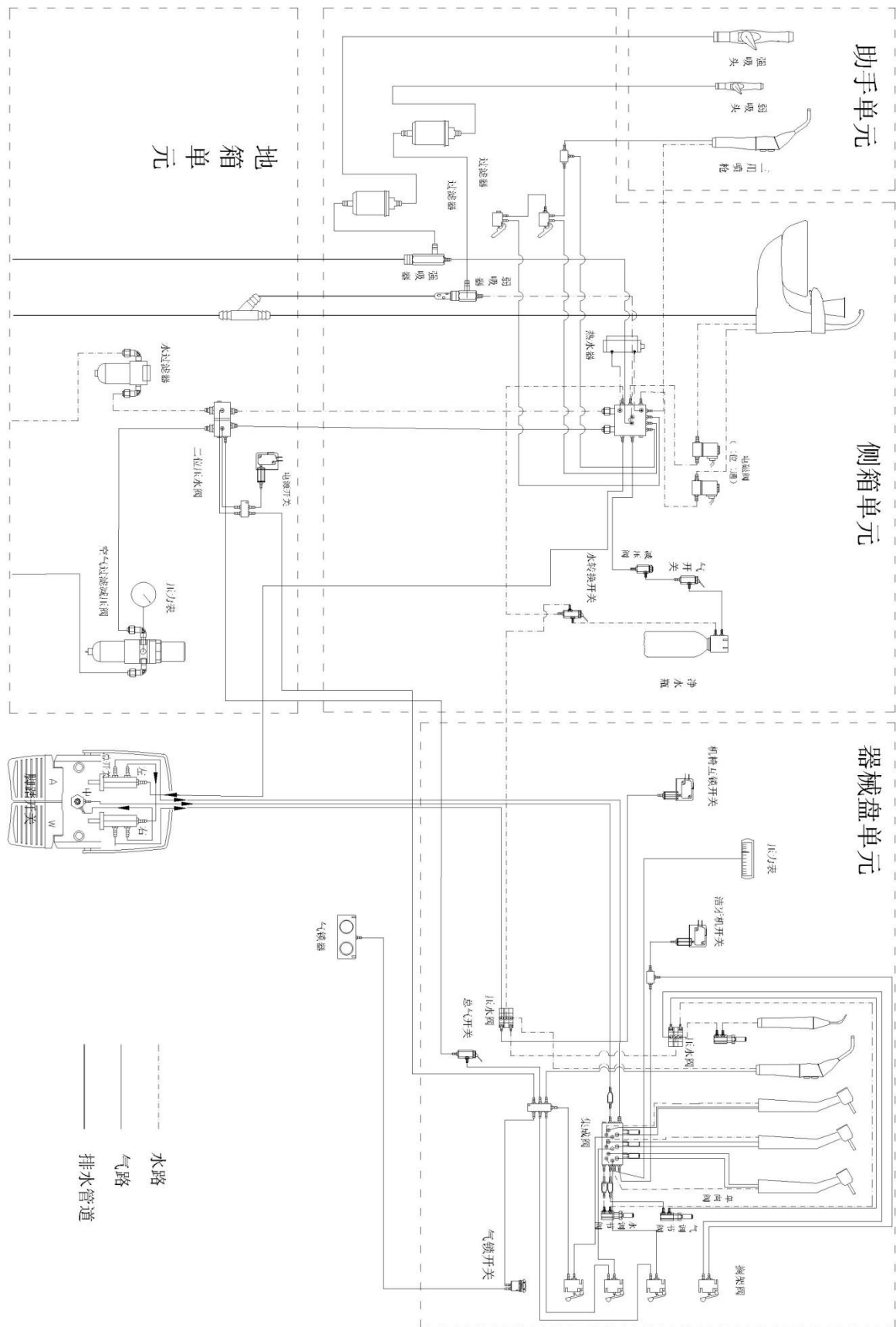
11. Packing list

Dental unit.....	1 piece
Nurse stool.....	1 piece
Strong suction nozzle.....	2 pieces
Weak suction nozzle.....	2 pieces
Nozzle of 3 ways syringe.....	2 pieces
Adjusting level screws.....	4 pieces
Fuse.....	3 pieces
Certificate of qualification.....	1 piece
Warranty card.....	1 piece
Operation manual.....	1 piece
Inspection report.....	1 piece

12. Electrical connection diagram



13. Water and air connection diagram



Product Registration No.: Yue Shi Yao Jian Xie (Zhun) Zi 2012 No. 2550232

Production license: Yue Shi Yao Jian Xie Production License No. 20051140

BEING FOSHAN MEDICAL EQUIPMENT CO., LTD

Company address: No. 9, North Park East Road, Shishan Town, Nanhai District, 528225
Foshan,Guangdong, PEOPLE'S REPUBLIC OF CHINA

Postal code: 528225

Tel: 0757-86406507, 86406509

Fax: 0757-86406509, 86406506

After-sale service: 0757-86406508 (or contact with the local agent)

Website: www.beingfoshan.com

E-mail: beingfoshan@beingfoshan.com

Europe Representative:

Name:Shanghai International Holding Corp.GmbH(Europe)

Dimdi NO.:DE/0000040627

Add:Eiffestrasse 80,20537 Hamburg,Germany

Tel:+49-40-2513175 Fax: +49-40-255726

E-mail:shholding@hotmail.com

Company reserves the right of product improvements

佛山市碧盈醫療器材有限公司

BEING FOSHAN MEDICAL EQUIPMENT CO.LTD.

地址:广东省佛山市南海区狮山镇北园东路9号

电话:0757-86406507, 86406509

传真:0757-86406509

网址:www.beingfoshan.com

邮箱:beingfoshan@beingfoshan.com

Add.: No. 9, North Park East Road, Shishan Town,
Nanhai District, 528225 Foshan, Guangdong, China

Tel.: +86-757-86406505, 86406506

Fax: +86-757-86406506

Web.: www.beingfoshan.com

Email: beingfoshan@beingfoshan.com



官方网址二维码



微信号: Beingfoshan



碧盈醫療器材



PEONY SERIES
碧盈牙科综合治疗机

佛山市碧盈醫療器材有限公司
BEING FOSHAN MEDICAL EQUIPMENT CO.LTD.

型号Model:
PEONY 2300
豪华型 Luxury Version



通往卓越

WAY TO EXCELLENCE

标准配置:

- 移动式豪华工具台
- 多重安全保护系统
- 联动补偿椅架
- 内部自动消毒系统
- 智能防回吸系统
- 可拆消毒痰盂
- 微重力注水系统
- LED感应手术冷光灯
- 自动扶手
- 强、弱吸唾系统 (可选装中央负压系统)
- 低压静音直流电机组
- 智能操作系统
- 三个记忆椅位
- 纯净水一键转换
- 医生座椅

技术参数:

- 电源电压: 110~240vac/50~60Hz
- 水源水压: 0.2Mpa~0.4Mpa
- 气源气压: 0.5Mpa~0.8Mpa

STANDARD CONFIGURATION:

- Cart instrument platform
- Multi-security protection system
- Ergonomic synchro moving chair
- Interior automated disinfection system
- Intelligent anti-reflux system
- Luxury tempered glass spittoon
- Micro-gravity mouth-wash water system
- LED sensor operation lamp
- Auto armrest setting
- Saliva ejector (Central vacuum system for options)
- 24V noiseless DC motors
- Intelligent operating system
- Three memory positions
- Pure water one-touch switch system
- Dentist stool

TECHNICAL PARAMETER:

- Power voltage: 110-240vac/50-60Hz
- Water pressure: 0.2Mpa-0.4Mpa
- Air pressure: 0.5Mpa-0.8Mpa



高效完美舒适的融合

稳定、快速、静音

靠背升降全程仅需12秒，比普通国产牙椅快1/3左右，节省医生宝贵的治疗时间，提高工作效率。

完美

人体工程学的完美设计，功能性与舒适性的完美统一

联动补偿椅架

符合人体工程学设计，椅位联动补偿7度左右，靠背弯板最大程度和人体腰椎运动曲线吻合，不会有搓背的不舒适感

Perfect And Comfortable

HIGH EFFICIENCY

It is only 12 seconds for the full removing process of backrest from the highest position to the lowest, 1/3 faster than china traditional dental units, saving plenty of treatment time and improving work efficiency!

PERFECTION

Ergonomic optimal design, function and comfort perfect combination!

ERGONOMIC SYNCHRO MOVING FUNCTION

Seatrest synchro moving 7 degree, conforming to ergonomics and the backrest's bends perfectly fits with vertebral motion, never feeling back pulling.

多重安全保护系统

自动锁定

医生在使用手机进行手术治疗时，牙椅运动功能自动锁定，避免任何意外触碰导致牙科椅突然运动可能对病人造成的伤害。

自动停止

牙椅运行安全保护功能，牙椅在升降运行中遇到障碍物自动停止运动

Multi-Security Protection System

SECURITY ONE

When dentists are treating patient through handpiece whether high-speed or low-speed,the movement function of both backrest and seatrest is dead lock, lest any wrong or unexpected touch leading to backrest or seatrest suddenly moving to cause injury to patients.

SECURITY TWO

When backrest and seatrest is moving, movement will stop and rebound quickly once obstacle.

智能管路防回吸系统

无论在手术期间还是手术后，管路防回吸系统都能防止污水回吸到牙科椅里，确保整个供水系统的安全，同时也为你、你的团队和患者提供了可靠的保护！

Intelligent Anti-Reflux System

To prevent contaminated water from being drawn back into dental units during or after treatments, this system reliably protect the entire water supply of dental units and you, your staff and your patients

内部自动消毒系统

内部自动消毒系统确保整个管路内部完整消毒，不留任何死角，使碧盈牙科椅日常使用时更安全！减轻您和助理的工作量，保护您的团队和患者！

Interior AutoMated Disinfection System

Interior automated disinfection system ensure that all internal area of pipes is disinfected, no dead space at the end of lines, and make **BEING** dental units even safer in daily use. Less work for your assistant, protect you, your staff and your patients.



移动式智能工具台，造型美观，操控灵活

自由调节

工具台高度一键自由调节,方便医生操作

方便

完美避免了传统牙科椅工具盘转臂在治疗时处于患者胸前给患者造成的压迫感;工具盘四轮制动,可移动到任何最理想位置,方便医生手术操作;

材料

结构坚固、材料优质



Cart Intelligent Instrument Platform, Attractive Appearance,High Flexibility

EFFICIENTLY AND EASILY

One touch key adjusting instrument platform height, efficiently and easily!

EASIER AND MORE EFFICIENT

Perfectly avoiding oppressing sensation caused by traditional dental units when the instrument tray arm of traditional dental unit is located on the patient's chest. Cart instrument platform with braked wheels, removable to optimal workplace make operation easier and more efficient.

MATERIAL

Solid construction and superior material



型号Model:

PEONY 2301

标准型 Standard version



可旋转式侧箱，专为护士设计

- 助手控制台
- 暖水三用枪一支，带开关气强吸一支，带开关水弱吸一支，7个功能副控按钮

Rotatable unit box, design for the nurse

- Assistant console
- 3-way syringe (hot), high and low sucker, assistant panel with 7 buttons



标准配置

自动扶手
二高一低标准手机管
可移动豪华钢化玻璃孟盘
联动补偿牙椅
电动牙科椅控制系统（带三个记忆位）
24V静音直流电动椅
座垫和靠背宽敞且带补偿功能
可调光感应口腔冷光灯
低压观片灯
独立强、弱吸唾系统
气水分离装置
一键式手机净水转换系统
带气刹装置工具盘
三用喷枪（冷/热）
全功能脚踏控制器
医生座椅
多重安全保护系统

Standard accessories

Auto armrest setting
Two high speed handpieces tube and one low speed handpiece tube
Movable luxury tempered glass spittoon
Synchro moving chair
Motor-driven dental chair control system(with 3 memory)
24V noiseless dc motor
Cushion and backrest are spacious and synchro moving
Adjustable sensing operating lamp
Low pressure film viewer
Independent saliva ejector with high&low suction
Hydrosphere separate
One-touch handpiece purified water switch system
Top-mounted instrument tray with air brake
3-way syring (cold/hot water)
Full-functional foot controller
Operating stool
Multiple security protection system

细节见精妙 SUBTLETIES



可选配置: Optional accessories



定制适合您的色彩: Custom made your prefer color



因印刷之故，色板与实物略有差异，具体以实物为准。
Color might be different from that of practicality because of the press. Please refer to the practicality as standard

本公司保留产品改进时不另行通知的权利。Our company reserves the right to make any improvement on product design without advance notice.

强力低音真空负压抽吸机

Dental suction pump



特点 features | 强力、静音、水环式、真空
Powerful, ultra silent, water-ring vacuum

It's frame impact, small volume, enough absorb, save power, easy maintenance, be suitable use for hospital, clinic and home.

技术参数

恒压功能
工作电压 **220V**
工作频率 **50Hz**
功率 **2.2W**
净重 **76KG**
最大负压 **60Kpa**
负压连接管 **50mm**
噪音水平 **70db**

Specification

constant voltage mode
voltage
frequency
Power
weight
Max vacuum
Vacuum hose
Noise

智能编程功能

Intelligent programming

- 可支持多组独立负压控制接口，可根据牙椅使用数量调节负压值
- 内置稳压系统，有效稳定输入电压，降低故障几率
- 多波段无极变速，精确调节负压吸力
- 高效变频技术、低能耗、低产热、绿色节能
- 一体化操控面板，指示清晰，方便操作

微电脑控制

micro computer controlled

- 自动检测电机故障，发现故障马上停机，有效保护电机
- 可翻查六次历史故障记录，更便捷、精确解决故障
- 可调试延时停止系统，避免频繁启动带来的耗能有效防止回流

进口电磁阀

imported solenoid valve

- 工作稳定，寿命长
- 24V安全工作电压

高转速水环式负压发生器

high rotational speed water ring vacuum generator

- 采用防腐蚀铜叶轮代替传统铁叶轮
- 三相220V电机提供强劲稳定的动力
- 工作噪音低，超静音
- 高转速比可直接粉碎细小颗粒，自动排污，自动清洗

水气分离消音系统

air-water separator will outlet automatic .

- 吸入的口腔污物和废气经处理后有效分离并自动排出
- 排气口可连接管道把废气直接排到室外，防止诊室二次污染和气体扬起下水道的污垢，保障工作环境有效降低负压产生的噪音

DECLARATION OF CONFORMITY TO COUNCIL DIRECTIVE 93/42/EEC



MANUFACTURER: Being Foshan Medical Equipment Co., Ltd
No. 9, North Park East Road, Shishan Town, Nanhai District, 528225
Foshan, Guangdong, PEOPLE'S REPUBLIC OF CHINA

MEDICAL DEVICE: Integral Dental Unit
PEONY -2300C; PEONY -2301C; PEONY -2300S; PEONY -2301S; PEONY -2300B;
PEONY -2301B
UMDNS:11165

CLASSIFICATION - ANNEX IX: class IIa, according to 93/42/EEC Annex IX, rule 9

CONFORMITY ASSESSMENT ROUTE: 93/42/EEC, Annex V

We, BEING FOSHAN MEDICAL EQUIPMENT CO., LTD. herewith declare that the stated medical devices meet the transposition into national law, the provisions of Council Directive 93/42/EEC of 14 June 1993 concerning medical devices; including, at 21 March 2010, the amendments by Council Directive 2007/47/EEC.
All supporting documentation is retained at the premises of the manufacturer.
We are exclusively responsible for the DOC.

NOTIFIED BODY: TÜV SÜD Product service GmbH
Ridlerstr 65, D-80339 München, Germany

IDENTIFICATION NUMBER

CE 0123

(EC) CERTIFICATE(S): G2 058693 0015 Rev.01



EUROPEAN REPRESENTATIVE: Shanghai International Holding Corp. GmbH (Europe)
Eiffestrasse 80, 20537 Hamburg GERMANY

START OF CE-MARKING: 2013-1-13

CETIFICATE VALIDITY: Valid from 2021-04-21 until 2024-05-26

PLACE, DATE OF DECLARATION: Foshan City, Guangdong, P. R. China, 2021-04-21

SIGNATURE:

Name: Zeng Wenbin
Position: General Manager