

Surgical lights of Model 1160, 2160, 3160, Series are used in operation rooms (OR) / treatment rooms to assist medical staff by illuminating a certain area or a point on the patient in treatment and diagnosis procedures. Surgical lamp system consists of configuration of multiple surgical lightheads (single, double or triple).



Model 1160 Surgical Light

Technical Features

Type of mounting : Ceiling

Ceiling suspension: Central Ceiling Joint

Horizontal rotating arm:

For all models; rotates 360°

Model 1160: 725 mm. length

Model 2160: 725 / 875 mm. length

Model 3160: 565 / 725 / 875 mm. length

Spring arm:

Model 1160 / 2160 / 3160: 360° rotating, 910 mm length, 50° downwards, 45° upwards, 1125 mm movement distance.

Light movement diameter :

Model 1160: 3270 mm.

Model 2160: 3270 - 3570 mm.

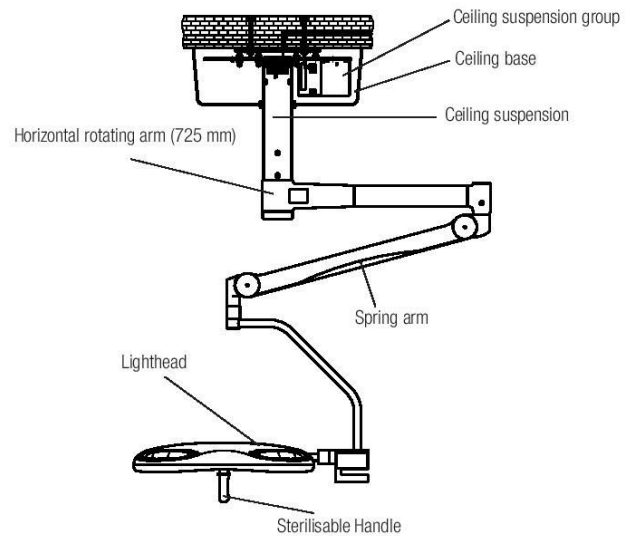
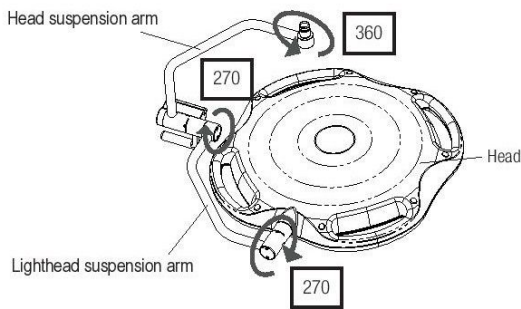
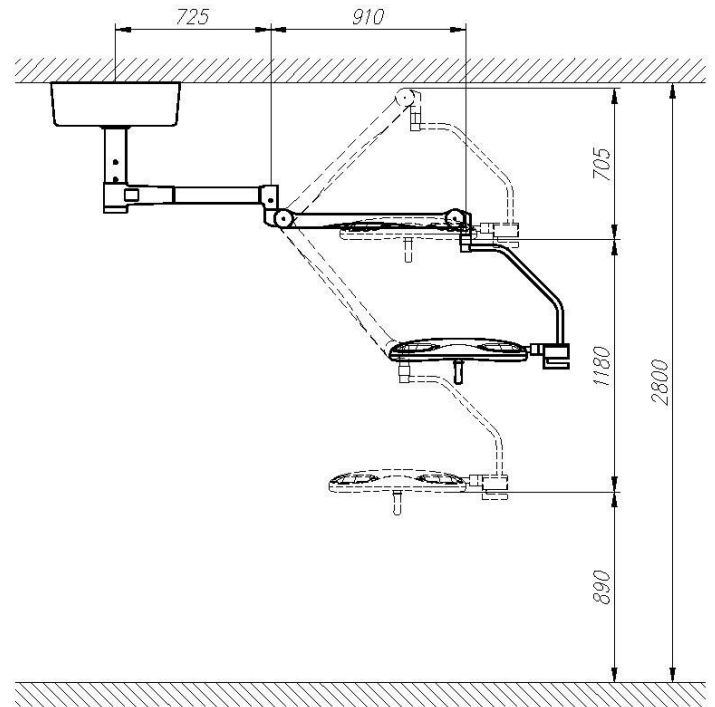
Model 3160: 2950 - 3270 - 3570 mm.

Head suspension arm :

Model 1160 / 2160 / 3160: 360° rotating

Lighthead suspension arm : All models rotate 270°

Head: All models rotate 270°



Head diameter: 710 mm in all models.

Lighting unit: LED

Life of lighting unit: >50.000 hrs

Max. lighting: 1 head = 160.000 lux