



SenzTx

Oxygen Transmitter

ST100 Range

The Senz-Tx is a highly reliable and cost-effective two-wire, loop-powered transmitter with a linearized 4 to 20 mA output. It measures oxygen in 0-1000 ppm, 0-25% and 0-96% ranges. This compact transmitter uses proven zirconia sensor technology to accurately measure O₂ in a variety of gases.



Proven Sensor Technology

The SenzTx Transmitters are a range of high quality instruments for the measurement of oxygen in the 1 to 1000 ppm range, 0 to 25% range and 0 to 96% range. Process Interface connection is by integral Flow Through adapter with standard 1/8" NPT(F) thread orifices. User interface connection to the SenzTx is via a robust screw-on connector for power and 4-20mA feeds. Recovery from air at low ppm levels takes just a few minutes. The Senz Tx uses a long life Zirconia sensor which has a fast response and no sensor drift. There is also no shelf life associated with zirconia sensors.

Sample Systems

In addition to standard features and options, Inmatec offers a full line of sample handling systems for a variety of applications. If needed, Inmatec can design and build a sample conditioning system to meet unique application requirements. Please contact Inmatec for details.

Installation Flexibility

The compact SenzTx, with its built-in microprocessor, is designed to fit easily into any installation site. The SenzTx can be installed right at the sampling point, whereas other transmitters must be rack or panel mounted.

Features

- Measurement ranges:
0 - 1000 PPM / 0-25% / 0-96%
- Zirconia Sensor Technology
- Industry Standard 4-20mA Output
- 24VDC Power Supply
- RS485 Modbus Communication
- Inline Process Connection / Flowthrough
- M12 Screw-On Power / Signal Connection

SenzTx

Product specifications

Gas Type / Range

Oxygen / 0 - 1000 Ppm
Oxygen / 0 - 25%
Oxygen / 0 - 96%

Response Time (0-90%)

<10 seconds

Power Requirements

24VDC +/- 10%, Max 160mA

Connection

M12 Electrical Connection

Lifespan

3 to 5 years
(dependant on O2 levels and other gases)

Output Signal

4 to 20mA

Accuracy

- 0.01% O2

Resolution

0.01% O2

Temperature range:

+5 to +50 Degrees C

Pressure Range

800 to 1200mbar Absolute

Process Connection

Flowthrough (1/8" in NPTF)

Dimensions

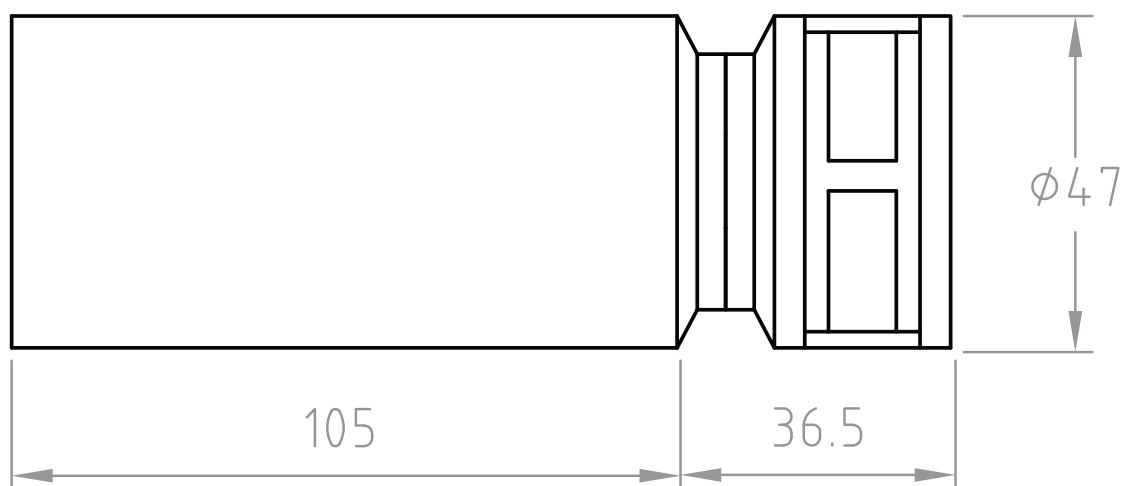
47mm Dia x 120mm - 140mm
Depending on connection option.

Weight

0.260Kg

European Compliance

Complies with EMC Directive 2004/108/EC



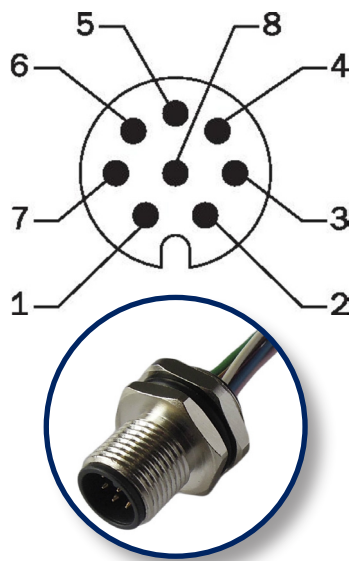
Please note: Inmatec Ltd. adopts a continuous development program which sometimes necessitates specification changes without notice. Please contact us for latest version.

SenzTx

Ordering information

Product	Sensor Type	Measurement Range	Process Connection	Part No.
ST 100	Zirconia	0 - 1000 PPM	Flowthrough	2009012258
ST 101	Zirconia	0 - 25%	Flowthrough	2009012259
ST 102	Zirconia	0 - 96%	Flowthrough	2009012260

For other sensor types see the other Senz Tx Application sheets. Electrochemical: ST 200 etc



M12 Connector Pin Assignment

Pin	Assignment	Cable Core Colour
1	Not Used (Note 1)	Black
2	Not Used (Note 1)	Brown
3	Analogue Output Ground	Green
4	Serial RS485 (B)	Yellow
5	Serial RS485(A)	Grey
6	Power Ground OVDC	White
7	Power Supply +24VDC	Blue
8	Analogue Output (mA)(Note 1)	Red

Notes:

1. Cable cores that are not used must be insulated / heat-shrunked.



INMATEC GaseTechnologie GmbH & Co. KG,

Gewerbestr. 72D-82211 Herrsching, Germany

Fon: +49 8152 9097-0 **Fax:** +49 8152 9097-10

Email: info@inmatec.de **Web:** www.inmatec.com