

PVC Trunking Cable Tray Systems

Modular System PVC Cable Trunkings

ICPT 10050 LC
L Shaped Corner

PS
Socket Sets

ICPT 10050 IC
Internal Corner

ICPT 10050 EC
External Corner

ICPT 10050 SE
Partition

ICPT 10050
Modular System Cable Trunkings

PT
PVC Trunking

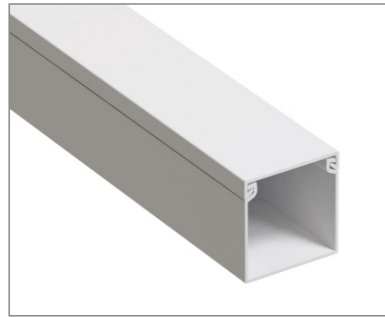
DPT
Floor Type Cable Trunking

DMT
Slotted Cable Trunking

ICPT 10050 TC
T Shaped Corner

PVC Trunking

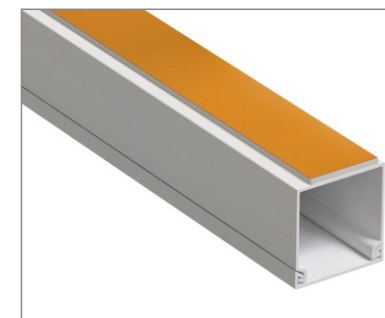
Plastik Kablo Kanalları - Пластиковые короба



| CODE | SIZE | Length | PACKAGING TYPE | IN PACK QUANTITY | VOLUME OF PACK | WEIGHT OF PACK |
|-----------|---------|--------|----------------|------------------|----------------|----------------|
| | EBAT | | | | | |
| | mm | mm | | m | m ³ | kg |
| PT 1212 | 12x12 | 2000 | in box | 360 | 0.063 | 20.9 |
| PT 1510 | 15x10 | 2000 | in box | 320 | 0.067 | 19.7 |
| PT 1616 | 16x16 | 2000 | in box | 304 | 0.091 | 21.8 |
| PT 2010 | 20x10 | 2000 | in box | 264 | 0.067 | 22.5 |
| PT 2013 | 20x13 | 2000 | in box | 240 | 0.080 | 20.5 |
| PT 2020 | 20x20 | 2000 | in box | 192 | 0.091 | 21.1 |
| PT 2516 | 25x16 | 2000 | in box | 168 | 0.091 | 20.9 |
| PT 2525 | 25x25 | 2000 | in box | 130 | 0.100 | 20.0 |
| PT 3020 | 30x20 | 2000 | in box | 120 | 0.091 | 19.1 |
| PT 4016 | 40x16 | 2000 | in box | 112 | 0.091 | 21.3 |
| PT 4025 | 40x25 | 2000 | in box | 80 | 0.100 | 18.3 |
| PT 4040 | 40x40 | 2000 | in box | 72 | 0.091 | 20.9 |
| PT 5050 | 50x50 | 2000 | in box | 40 | 0.093 | 17.5 |
| PT 6040 | 60x40 | 2000 | in box | 48 | 0.091 | 20.1 |
| PT 6060 | 60x60 | 2000 | in box | 40 | 0.100 | 20.3 |
| PT 7550 | 75x50 | 2000 | in box | 40 | 0.102 | 23.5 |
| PT 7575 | 75x75 | 2000 | in box | 24 | 0.109 | 17.7 |
| PT 8040 | 80x40 | 2000 | in box | 36 | 0.091 | 19.3 |
| PT 8060 | 80x60 | 2000 | in box | 32 | 0.100 | 20.1 |
| PT 10040 | 100x40 | 2000 | in box | 28 | 0.091 | 21.1 |
| PT 10060 | 100x60 | 2000 | in box | 24 | 0.100 | 20.8 |
| PT 100100 | 100x100 | 2000 | in box | 12 | 0.102 | 13.4 |
| PT 12060 | 120x60 | 2000 | in box | 20 | 0.100 | 21.9 |

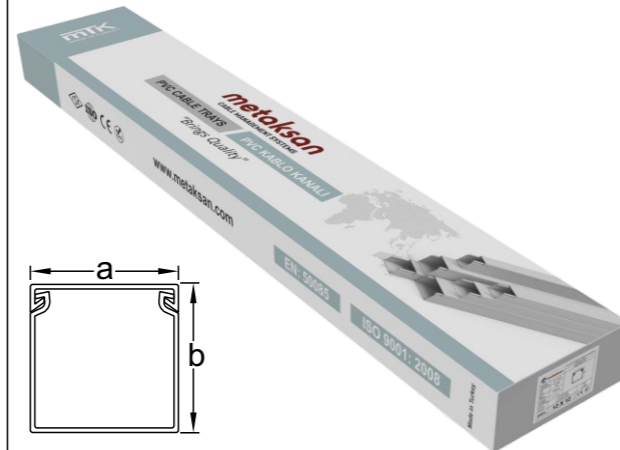
Adhesive PVC Trunking

Kendinden Yapışkanlı PVC Kablo Kanalı
Пластиковые короба (с клейкой изолирующей лентой)



| CODE | SIZE | Length | PACKAGING TYPE | IN PACK QUANTITY | VOLUME OF PACK | WEIGHT OF PACK |
|-------------|--------|--------|----------------|------------------|----------------|----------------|
| | EBAT | | | | | |
| | mm | mm | | m | m ³ | kg |
| APT 1212 S | 12x12 | 2000 | in box | 360 | 0.063 | 21.4 |
| APT 1510 S | 15x10 | 2000 | in box | 320 | 0.067 | 20.3 |
| APT 1616 S | 16x16 | 2000 | in box | 266 | 0.091 | 22.3 |
| APT 2010 S | 20x10 | 2000 | in box | 240 | 0.067 | 23.0 |
| APT 2013 S | 20x13 | 2000 | in box | 240 | 0.080 | 21.0 |
| APT 2020 S | 20x20 | 2000 | in box | 192 | 0.091 | 21.8 |
| APT 2516 S | 25x16 | 2000 | in box | 168 | 0.091 | 21.5 |
| APT 2525 S | 25x25 | 2000 | in box | 130 | 0.100 | 20.5 |
| APT 3020 S | 30x20 | 2000 | in box | 120 | 0.091 | 19.6 |
| APT 4016 S | 40x16 | 2000 | in box | 112 | 0.091 | 21.9 |
| APT 4025 S | 40x25 | 2000 | in box | 80 | 0.100 | 18.7 |
| APT 4040 S | 40x40 | 2000 | in box | 72 | 0.091 | 21.3 |
| APT 6040 S | 60x40 | 2000 | in box | 48 | 0.091 | 20.6 |
| APT 6060 S | 60x60 | 2000 | in box | 40 | 0.100 | 20.7 |
| APT 8060 S | 80x60 | 2000 | in box | 32 | 0.100 | 20.5 |
| APT 10060 S | 100x60 | 2000 | in box | 24 | 0.100 | 21.2 |

PT...



| Ürün Kodu Code of Item Kod / Прозвание | PT 1212 |
|--|--|
| Ölçü Size Размер | 12*12 mm |
| Adet Quantity Количество | 378 mt |
| Koli Ağırlığı Box Weight Вес в коробе | 21,79 kg |
| Ürün adı Description Описание | PVC Kablo Kanalı PVC cable trunking Пластиковые короба |
| | Kutu In box в коробе |
| | 12 X 12 |
| | CE |

General features
Row Material PVC UL94, V0 M1
Impact Resistance : 2 Joule
Operation Temperature : -25 +65 Co
Colour : White RAL 9010
IP Ingress Protection : IP40

Additional Features
UV resistant
Easy install, paintable, non-flammable,
Economic and adaptable
Resistant to acids, oils and greases
Non-conductive
Nonflammable

Important:
The label size area of Metaksan cable trunking **without adhesive tape** is GRAY on the box.

PT... S



| Ürün Kodu Code of Item Kod / Прозвание | APT 25X16 S |
|--|--|
| Ölçü Size Размер | 25X16 |
| Adet Quantity Количество | 168 mt |
| Koli Ağırlığı Box Weight Вес в коробе | 20,1 kg |
| Ürün adı Description Описание | PVC Kablo Kanalı PVC Cable Trunking |
| | Kutu In Box |
| | 25x16 |
| | CE |

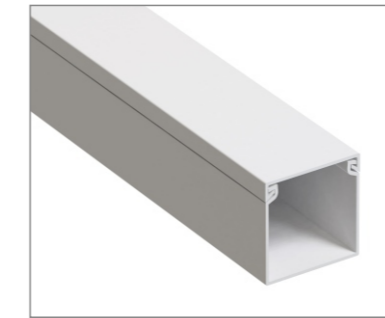
General features
Row Material PVC UL94, V0 M1
Impact Resistance : 2 Joule
Operation Temperature : -25 +65 Co
Colour : White RAL 9010
IP Ingress Protection : IP40

Additional Features
UV resistant
Easy install, paintable, non-flammable,
Economic and adaptable
Resistant to acids, oils and greases
Non-conductive
Nonflammable

Important:
The label size area of Metaksan cable trunking **without adhesive tape** is GREY on the box.

PVC Trunking

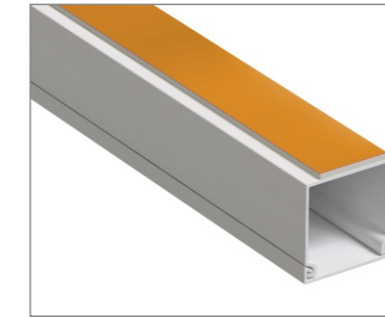
Plastik Kablo Kanalları - Пластиковые короба



| CODE | SIZE | Length | PACKAGING TYPE | IN PACK QUANTITY | VOLUME OF PACK | WEIGHT OF PACK |
|-------------|---------|--------|----------------|------------------|----------------|----------------|
| | EBAT | | | | | |
| | mm | mm | | m | m ³ | kg |
| PT 1212 N | 12x12 | 2000 | in nylon box | 200 | 0.029 | 11.1 |
| PT 1510 N | 15x10 | 2000 | in nylon box | 200 | 0.030 | 11.7 |
| PT 1616 N | 16x16 | 2000 | in nylon box | 100 | 0.026 | 7.9 |
| PT 2010 N | 20x10 | 2000 | in nylon box | 100 | 0.026 | 8.2 |
| PT 2013 N | 20x13 | 2000 | in nylon box | 100 | 0.040 | 10.5 |
| PT 2020 N | 20x20 | 2000 | in nylon box | 100 | 0.040 | 11.9 |
| PT 2516 N | 25x16 | 2000 | in nylon box | 50 | 0.031 | 7.4 |
| PT 2525 N | 25x25 | 2000 | in nylon box | 50 | 0.030 | 7.6 |
| PT 4016 N | 40x16 | 2000 | in nylon box | 50 | 0.032 | 9.1 |
| PT 4025 N | 40x25 | 2000 | in nylon box | 50 | 0.050 | 10.9 |
| PT 4040 N | 40x40 | 2000 | in nylon box | 48 | 0.077 | 13.3 |
| PT 5050 N | 50x50 | 2000 | in nylon box | 36 | 0.052 | 15.9 |
| PT 6040 N | 60x40 | 2000 | in nylon box | 36 | 0.086 | 14.3 |
| PT 6060 N | 60x60 | 2000 | in nylon box | 24 | 0.086 | 11.6 |
| PT 7550 N | 75x50 | 2000 | in nylon box | 24 | 0.056 | 14.5 |
| PT 7575 N | 75x75 | 2000 | in nylon box | 16 | 0.055 | 12.1 |
| PT 8040 N | 80x40 | 2000 | in nylon box | 16 | 0.051 | 8.2 |
| PT 8060 N | 80x60 | 2000 | in nylon box | 16 | 0.077 | 9.6 |
| PT 10040 N | 100x40 | 2000 | in nylon box | 16 | 0.064 | 11.5 |
| PT 10060 N | 100x60 | 2000 | in nylon box | 12 | 0.072 | 9.9 |
| PT 100100 N | 100x100 | 2000 | in nylon box | 16 | 0.093 | 17.5 |
| PT 12060 N | 120x60 | 2000 | in nylon box | 8 | 0.058 | 8.4 |

Adhesive PVC Trunking

Kendinden Yapışkanlı PVC Kablo Kanalı
Пластиковые короба (с клейкой изолирующей лентой)



| CODE | SIZE | Length | PACKAGING TYPE | IN PACK QUANTITY | VOLUME OF PACK | WEIGHT OF PACK |
|---------------|--------|--------|----------------|------------------|----------------|----------------|
| | EBAT | | | | | |
| | mm | mm | | m | m ³ | kg |
| APT 1212 NS | 12x12 | 2000 | in nylon box | 200 | 0.029 | 11.4 |
| APT 1510 NS | 15x10 | 2000 | in nylon box | 200 | 0.030 | 12.1 |
| APT 1616 NS | 16x16 | 2000 | in nylon box | 100 | 0.026 | 8.1 |
| APT 2010 NS | 20x10 | 2000 | in nylon box | 100 | 0.026 | 8.4 |
| APT 2013 NS | 20x13 | 2000 | in nylon box | 100 | 0.040 | 10.7 |
| APT 2020 NS | 20x20 | 2000 | in nylon box | 100 | 0.040 | 12.3 |
| APT 2516 NS | 25x16 | 2000 | in nylon box | 50 | 0.031 | 7.6 |
| APT 2525 NS | 25x25 | 2000 | in nylon box | 50 | 0.030 | 7.8 |
| APT 4016 NS | 40x16 | 2000 | in nylon box | 50 | 0.032 | 9.4 |
| APT 4025 NS | 40x25 | 2000 | in nylon box | 50 | 0.050 | 11.2 |
| APT 4040 NS | 40x40 | 2000 | in nylon box | 48 | 0.077 | 13.6 |
| APT 6040 NS | 60x40 | 2000 | in nylon box | 36 | 0.086 | 14.7 |
| APT 6060 NS | 60x60 | 2000 | in nylon box | 24 | 0.086 | 11.8 |
| APT 8060 NS | 80x60 | 2000 | in nylon box | 16 | 0.077 | 9.8 |
| APT 100x60 NS | 100x60 | 2000 | in nylon box | 12 | 0.072 | 10.1 |

PT... N

Nylon Bag Packaging



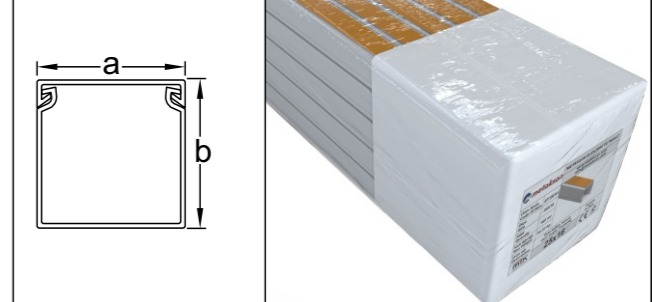
| Ürün Kodu Code of Item Kod / Прозвание | PT 1212 |
|--|--|
| Ölçü Size Размер | 12*12 mm |
| Adet Quantity Количество | 378 mt |
| Koli Ağırlığı Box Weight Вес в коробе | 21,79 kg |
| Ürün adı Description Описание | PVC Kablo Kanalı PVC cable trunking Пластиковые короба |
| | Kutu In box в коробе |
| | 12 X 12 |
| | CE |

General features
Row Material PVC UL94, V0 M1
Impact Resistance : 2 Joule
Operation Temperature : -25 +65 Co
Colour : White RAL 9010
IP Ingress Protection : IP40

Additional Features
UV resistant
Easy install, paintable, non-flammable,
Economic and adaptable
Resistant to acids, oils and greases
Non-conductive
Nonflammable

Important:
The label size area of Metaksan cable trunking **without adhesive tape** is GREY on the box.

APT... NS



| Ürün Kodu Code of Item Kod / Прозвание | APT 25X16 NS |
|--|--|
| Ölçü Size Размер | 25X16 |
| Adet Quantity Количество | 100 mt |
| Koli Ağırlığı Box Weight Вес в коробе | 20,50 |
| Ürün adı Description Описание | PVC Kablo Kanalı PVC Cable Trunking |
| | Kutu In Box |
| | 25x16 |
| | CE |

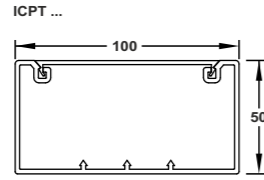
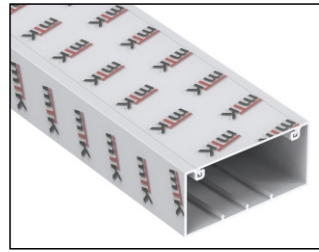
General features
Row Material PVC UL94, V0 M1
Impact Resistance : 2 Joule
Operation Temperature : -25 +65 Co
Colour : White RAL 9010
IP Ingress Protection : IP40

Additional Features
UV resistant
Easy install, paintable, non-flammable,
Economic and adaptable
Resistant to acids, oils and greases
Non-conductive
Nonflammable

Important:
The label size area of Metaksan cable trunking **without adhesive tape** is GREY on the box.

Modular Sistem Kablo Kanalları

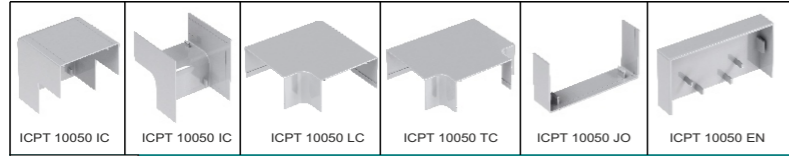
Inside covered cable trunkings - Кабель-канал пластиковый с крышкой



| CODE | SIZE | LENGTH | PACKAGING | IN PACK QUANTITY | VOLUME OF | WEIGHT OF |
|---------------|--------|-------------|--------------|------------------|-----------|-----------|
| | EBAT | UZUNLUK (L) | | | | |
| | mm | mm | | m | m3 | kg |
| ICPT 10050 | 100x50 | 2000 | in box | 24 | 0,100 | 21,6 |
| ICPT 10050.29 | 100x50 | 2900 | in nylon bag | 11,6 | 0,058 | 12,6 |

Accessories

Aksesuarlar - Аксессуары



| CODE | DESCRIPTION OF GOODS | | SIZE | IN PACK QUANTITY | VOLUME OF | WEIGHT OF |
|---------------|----------------------|---------------------|--------|------------------|-----------|-----------|
| | EN | TR | | | | |
| ICPT 10050 SE | Partition | Ara bölme | 100x50 | 150 m | 0,075 | 19,6 |
| ICPT 10050 EC | External Corner | Dış köşe | 100x50 | 8 pc | 0,0094 | 0,9 |
| ICPT 10050 IC | Internal Corner | İç Köşe | 100x50 | 8 pc | 0,0100 | 0,6 |
| ICPT 10050 LC | L Shaped Corner | L Dirsek | 100x50 | 10 pc | 0,0136 | 1,0 |
| ICPT 10050 TC | T Shaped Corner | T Dirsek | 100x50 | 10 pc | 0,0136 | 1,0 |
| ICPT 10050 JO | Joint | Birleştirme Elemanı | 100x50 | 100 pc | 0,0100 | 1,6 |
| ICPT 10050 EN | Ending | Sonlandırma Kapağı | 100x50 | 40 pc | 0,0040 | 0,7 |

Socket Sets

Priz Montaj Seti - Рамка-суппорт



| CODE | DESCRIPTION OF GOODS | | FOR SOCKET SIZE | IN PACK QUANTITY | VOLUME OF | WEIGHT OF |
|-------|----------------------|----------------|-----------------|------------------|-----------|-----------|
| | EN | TR | | | | |
| PS 11 | Single Frame | Tekli Çerçeve | 45x45 | 20 | 0,006 | 1,12 |
| PS 12 | Double Frame | İkili Çerçeve | 45x45 | 14 | 0,006 | 1,07 |
| PS 13 | Triple Frame | Üçlü Çerçeve | 45x45 | 12 | 0,006 | 1,08 |
| PS 14 | Quartet Frame | Dörtlü Çerçeve | 45x45 | 10 | 0,006 | 1,18 |

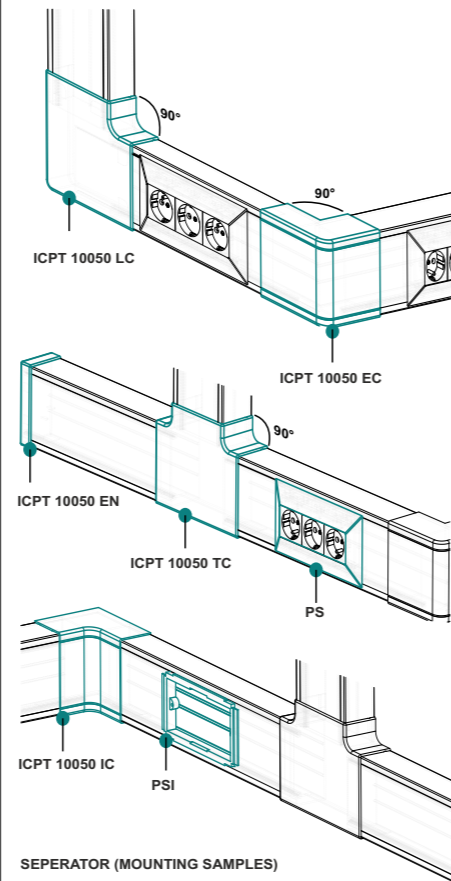
Socket Sets (British Norm)

Priz Montaj Seti (İngiliz normu) - Рамка-суппорт (Английский Стандарт)

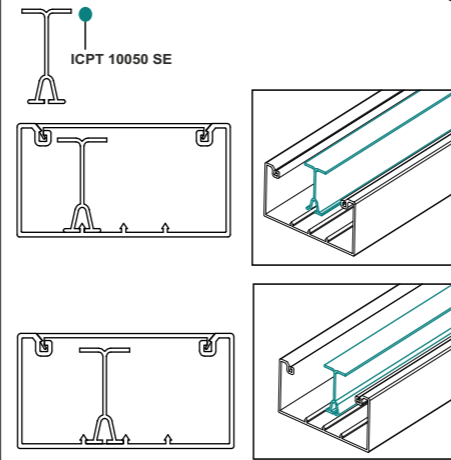


| CODE | DESCRIPTION OF GOODS | | FOR SOCKET SIZE | IN PACK QUANTITY | VOLUME OF | WEIGHT OF |
|--------|-------------------------|-----------------------------|-----------------|------------------|-----------|-----------|
| | EN | TR | | | | |
| PSI 15 | Single Socket Base | Priz Tabanı (Tek) | SNG BS | 200 | 0,040 | 3,85 |
| PSI 16 | Double Socket Base | Priz Tabanı (Çift) | DBL BS | 100 | 0,040 | 2,48 |
| PSI 17 | Double High Socket Base | Priz Tabanı (Çiftli Yüksek) | 2x SNG BS | 94 | 0,032 | 5,07 |

ACCESSORIES (MOUNTING SAMPLES)



SEPERATOR (MOUNTING SAMPLES)



| Technical Properties | |
|--|-----------------|
| Raw Material | PVC UL94, VO M1 |
| Impact Resistance | 2 Joule |
| Ip Rating | IP40 |
| Colour | White RAL 9010 |
| Temperature Resistance | -25 C/ +65 C |
| Additional Features | |
| UV resistance | |
| Easy install, paintable | |
| Economic and adaptable | |
| Resistant to acidics, oils and greases | |
| Non-conductive | |
| Non-flammable | |

Floor Type Cable Trunkings

Balık Sırtı PVC Kanal - Напольный канал



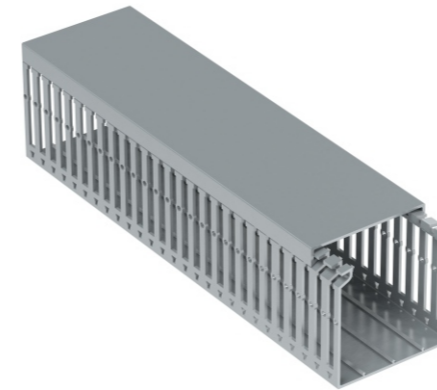
| CODE | SIZE | Length | PACKAGING | IN PACK QUANTITY | VOLUME OF | WEIGHT OF |
|----------|-------|---------|-----------|------------------|-----------|-----------|
| | EBAT | UZUNLUK | | | | |
| | mm | mm | | m | m3 | kg |
| DPT 5012 | 50x12 | 2000 | in box | 80 | 0,055 | 23,20 |
| DPT 6015 | 60x15 | 2000 | in box | 60 | 0,055 | 21,60 |
| DPT 7518 | 75x18 | 2000 | in box | 32 | 0,055 | 17,60 |
| DPT 9020 | 90x20 | 2000 | in box | 24 | 0,055 | 16,60 |

Adhesive Type

| CODE | SIZE | Length | PACKAGING | IN PACK QUANTITY | VOLUME OF | WEIGHT OF |
|-----------|-------|---------|-----------|------------------|-----------|-----------|
| | EBAT | UZUNLUK | TYPE | PAKETLEME | TIPI | TIPI |
| | mm | mm | | m | m3 | kg |
| ADPT 5012 | 50x12 | 2000 | in box | 80 | 0,055 | 23,20 |
| ADPT 6015 | 60x15 | 2000 | in box | 60 | 0,055 | 21,60 |
| ADPT 7518 | 75x18 | 2000 | in box | 32 | 0,055 | 17,60 |
| ADPT 9020 | 90x20 | 2000 | in box | 24 | 0,055 | 16,60 |

Slotted Cable Trunking

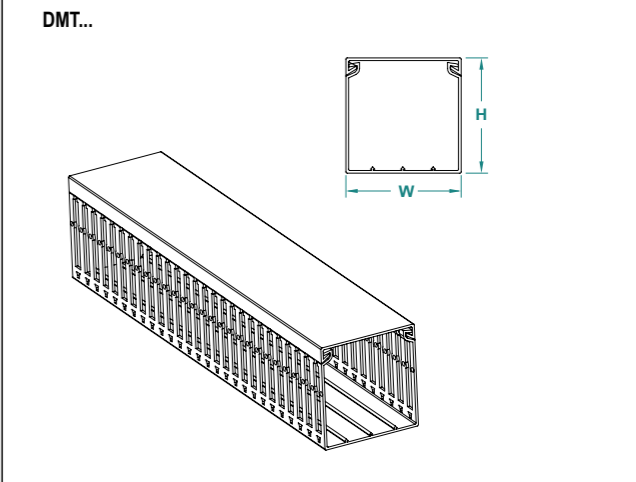
Pano Tipi PVC Kanal
Короб перфорированный



| CODE | SIZE | Length | PACKAGING | IN PACK QUANTITY | VOLUME OF | WEIGHT OF |
|------------|--------|---------|-----------|------------------|-----------|-----------|
| | EBAT | UZUNLUK | | | | |
| | mm | mm | | m | m3 | kg |
| DMT 2525 | 25x25 | 2000 | in box | 120 | 0,082 | 24,72 |
| DMT 2540 | 25x40 | 2000 | in box | 100 | 0,082 | 26,74 |
| DMT 2560 | 25x60 | 2000 | in box | 60 | 0,082 | 22,80 |
| DMT 4040 | 40x40 | 2000 | in box | 52 | 0,082 | 19,38 |
| DMT 4060 | 40x60 | 2000 | in box | 36 | 0,082 | 17,87 |
| DMT 4080 | 40x80 | 2000 | in box | 48 | 0,082 | 28,05 |
| DMT 6040 | 60x40 | 2000 | in box | 36 | 0,082 | 18,66 |
| DMT 6060 | 60x60 | 2000 | in box | 48 | 0,109 | 29,56 |
| DMT 6080 | 60x80 | 2000 | in box | 36 | 0,094 | 25,50 |
| DMT 8060 | 80x60 | 2000 | in box | 32 | 0,109 | 23,55 |
| DMT 8080 | 80x80 | 2000 | in box | 24 | 0,082 | 20,52 |
| DMT 10060 | 100x60 | 2000 | in box | 24 | 0,082 | 22,92 |
| DMT 120x60 | 120x60 | 2000 | in box | 16 | 0,082 | 19,11 |

| | | |
|-------------------|--|-------|
| DPT... ADPT... | | 50X12 |
| | | 60X15 |
| | | 75X18 |
| | | 90X20 |

| Technical Properties | |
|--|-----------------|
| Raw Material | PVC UL94, VO M1 |
| Colour | RAL 7045 GREY |
| Temperature Resistance | -25 C/ +60 C |
| Additional Features | |
| UV resistance | |
| Easy install, paintable | |
| Economic and adaptable | |
| Resistant to acidics, oils and greases | |
| Non-conductive | |
| Non-flammable | |



| Technical Properties | |
|--|-----------------|
| Raw Material | PVC UL94, VO M1 |
| Colour | RAL 9030 GREY |
| Temperature Resistance | -25 C/ +60 C |
| Additional Features | |
| UV resistance | |
| Easy install, paintable | |
| Economic and adaptable | |
| Resistant to acidics, oils and greases | |
| Non-conductive | |
| Non-flammable | |