

ELECTROSURGERY

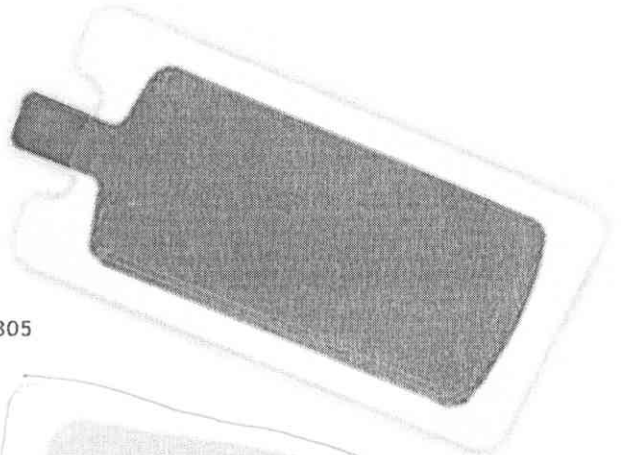
Lotul 20

GROUNDING PADS

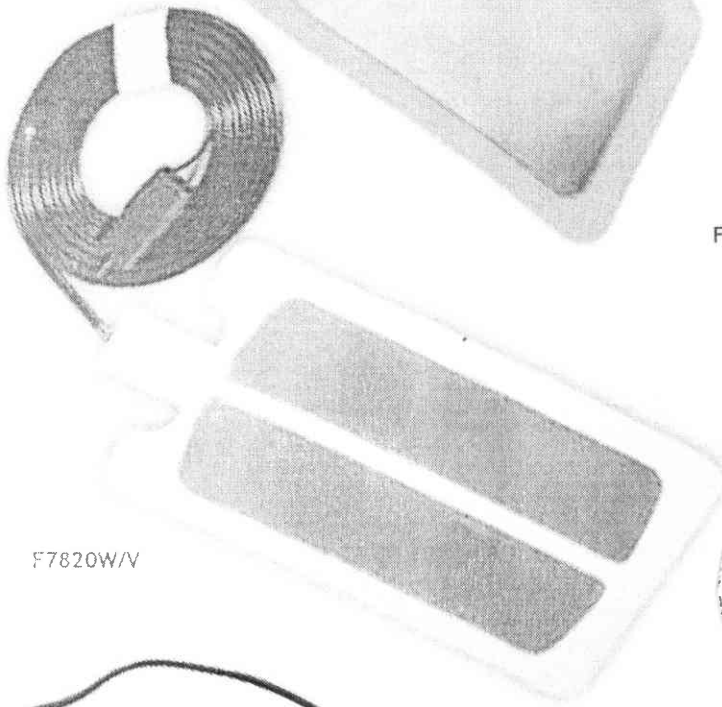
ADULT						
REF	DIMENSIONS	BAKING	ACTIVE SURFACE	REM/not REM	CABLE	CONNECTION
F7805	202x101 mm	FOAM	132 cm ²	Not REM	No	Tab Connection
F7805W/V	202x101 mm	FOAM	132 cm ²	Not REM	Yes 300 cm	Valleylab connector
F7805W/6.3	202x101 mm	FOAM	132 cm ²	Not REM	Yes 300 cm	ø 6.3 mm bipolar connector
F7820	202x101 mm	FOAM	118 cm ²	REM	No	Tab Connection
F7820W/V	202x101 mm	FOAM	118 cm ²	REM	Yes 300 cm	Valleylab connector
F7820W/6.3	202x101 mm	FOAM	118 cm ²	REM	Yes 300 cm	ø 6.3 mm bipolar connector



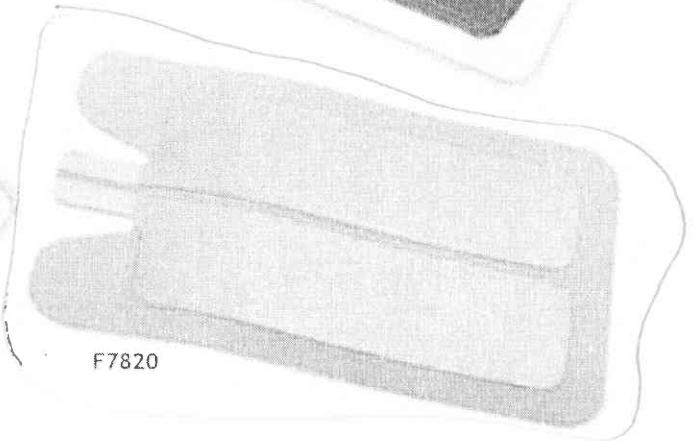
F7805W/6.3



F7805



F7820W/V

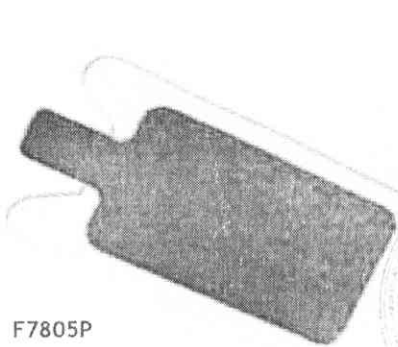


F7820

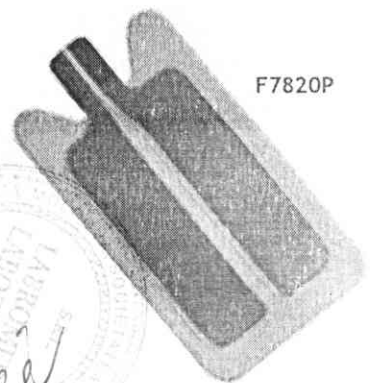
PAEDIATRIC						
REF	DIMENSIONS	BAKING	ACTIVE SURFACE	REM/not REM	CABLE	CONNECTION
F7805P	148x90 mm	FOAM	78 cm ²	Not REM	No	Tab Connection
F7805PW/V	148x90 mm	FOAM	78 cm ²	Not REM	Yes 300 cm	Valleylab connector
F7805PW/6.3	148x90 mm	FOAM	78 cm ²	Not REM	Yes 300 cm	ø 6.3 mm bipolar connector
F7820P	148x90 mm	FOAM	72 cm ²	REM	No	Tab Connection
F7805PW/V	148x90 mm	FOAM	72 cm ²	REM	Yes 300 cm	Valleylab connector



F7805PW/V



F7805P



F7820P

Seela

AAB