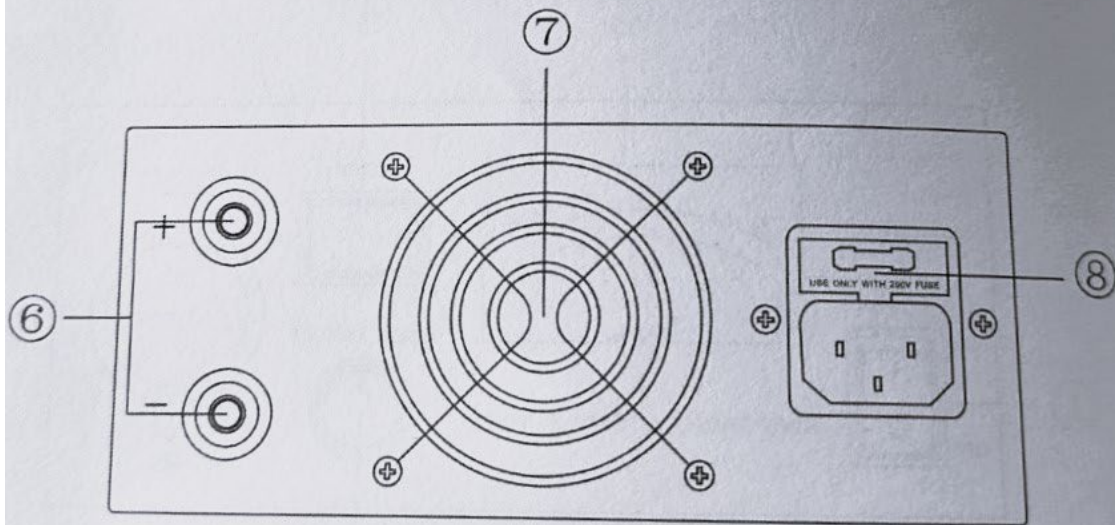
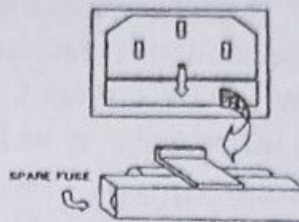


1. **Power switch:** Turns the unit on and off.
 2. **Noise off-set volume control:** Adjust it to eliminate the pulse noise of the switching power supply. This function is specially designed for communication. (Effectiveness may be vary because of the frequency and mode.)
 - . **Meter:** Displays the voltage or current.
 - . **Meter switch:** Select the position to indicate voltage (V) or current (A) .
- Cigarette plug terminal: 10A max.



6. Output terminal: 30A max; Red positive; black negative.
7. Cooling fan
8. FUSE



SPECIFICATIONS

1. input voltage: 220VAC
2. output voltage: 13.8VDC Fixed voltage.
3. output voltage regulation: less than 2%
4. protection: Short-circuit, Automatic current limiting
with in 30A

5. output current: 30A (max), 20A (continuous)
6. Ripple: less than 80mVp-p at rated load
7. fuse: 5A
8. Meter: single volt/current meter, back-lit
9. Dimensions: 150(W) × 70(H) × 220(L)mm (Projections not included)
10. Weight: approx. 1.5kg

CAUTION

4. Even though the chassis of the unit is negatively grounded, use correct terminals to connect cable.
5. When plugging the unit into a wall outlet, it must be turned off.
6. Place the unit in a dry and well ventilated area.
7. Never touch the unit while it is working. Even though it is designed for high efficiency, the unit will still get hot.
8. A current limiting system will protect the unit from overloading.
9. If a short circuit occurs while outputting, the unit will be protected by a short circuit protection function. Turn off the unit and repair the cause of the short circuit immediately, then turn it back on.
10. Do not use the unit for devices that require high current at the start, such as motorized equipment. Do not use the unit to charge a car battery.
11. Do not use a car cigarette lighter in the cigarette pl