

Ralco

X-RAY COLLIMATORS



Value, Quality and Experience



R 225 ACS

Multilayer, square field, automatic collimation system intended for installation on stationary X-ray equipment. This device has been designed and manufactured for skeletal, gastrointestinal, urographic and thoracic investigations.

This model includes the following standard features:

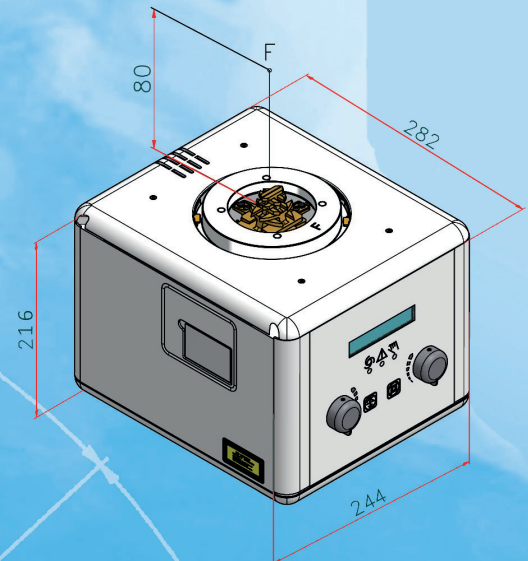
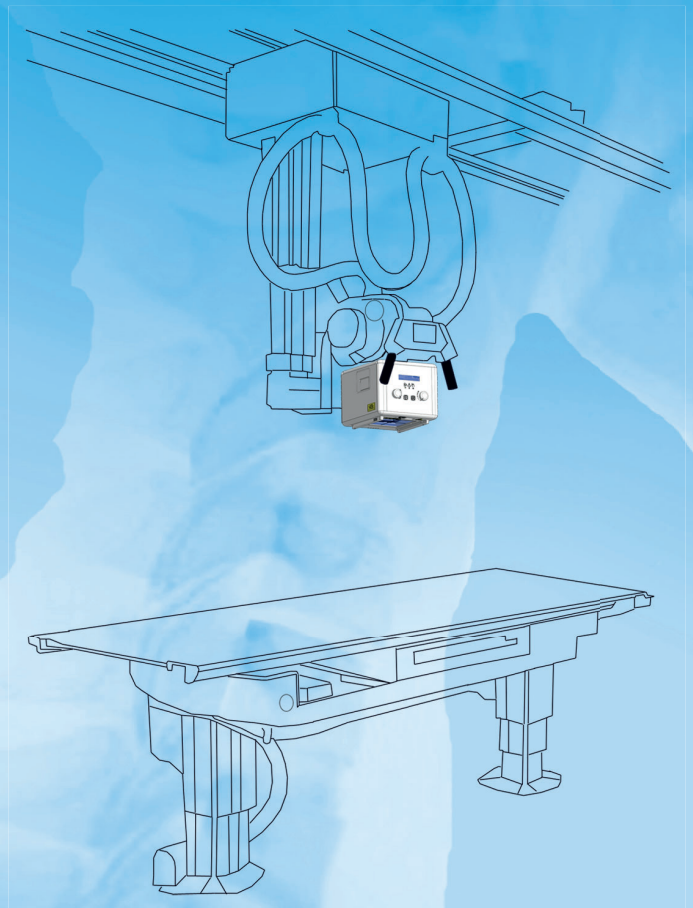
- Maximum Radiation Leakage: 150 kVp - 4 mA
- Multilayer Square Field: 0x0 cm to 48x48 cm at 100 cm SID
- Minimum Inherent Filtration: 2 mm Al equivalent
- Additional Variable Filtration (on request)
- White LED
- Dimensions: 282x244x216 mm
- Weight: 11 Kg
- 6 Pairs of Shutters
- CanBus Protocol
- Accessory Guide Rails
- Color Customizations and Many Other Personalization Options Available

R 225 ACS

TECHNICAL FEATURES

Application	Remote Control, Ceiling Suspension and Tube Stand X-Ray Equipment		
Mode of Operation	Automatic		
Power Supply	24 V AC/DC - 2 A		
cCSAUs and DHHS Certification	◆		
Mounting Plane	Standard: 80 mm		
	Customized		×
Leakage Radiation	125 kVp - 4 mA		×
	150 kVp - 4 mA		✓
Field Type	Square Field	With Potentiometers	◆
		Without Potentiometers	✓
		With Encoders	◆
		Customized	◆
	Round Field		◆
Minimum Inherent Filtration	2 mm Al equivalent		✓
	1 mm Al equivalent		◆
	0.3 mm Al equivalent		×
Additional Variable Filtration	Manual		×
	Automatic		◆
Light Source	LED		✓
	Halogen Lamp		×
	No Light		×
SID Measurement	Electronic		◆
	Retractable Tape Measure		✓
Image Receptor Alignment	Centering Light		×
	Single Laser	Class I	✓
		Class II	◆
	Double Laser	Class I	◆
		Class II	◆
Flanges and Spacers	Iron mounting flange spacers: 1.5 mm thickness		✓
	Iron mounting flange spacers: 1 mm thickness		◆
	Fixed	Metal	×
		Resin	×
	Rotating	Metal	◆
Resin		✓	
Collimator Mounting Method	Manual Alignment with Metal Flange		×
	Automatic Centering with Metal Flange		◆
	Automatic Centering with Resin Flange		✓
	Customized Attachment		◆
User Interface	CAN-Bus		✓
	CAN-Open		◆
Patient Monitoring Camera			◆
Proximity Sensor			◆
Asymmetric Longitudinal Shutters			◆
Touchscreen Display			◆

✓ Standard ◆ Optional × Not Available



HEAD OFFICE

via Dei Tigli 13G
20853 BIASSONO (MB)
ITALY
Tel. 0039 039 24 979 25
FAX 0039 039 24 977 99
Email: ralco@ralco.it
www.ralco.it
Skype: [ralco_s.r.l.](https://www.skype.com/name/ralco_s.r.l)

AMERICAN OFFICE

4970 Robert J. Mathews Pkwy #180
El Dorado Hills, CA 95762
USA
Tel. 001 916 990 5172
Email: info@ralcousa.com
www.ralcousa.com
Skype: [ralcousa](https://www.skype.com/name/ralcousa)

CUSTOM MODELS ON REQUEST

DR R 225 ACS Rev. C - MRD/026/17