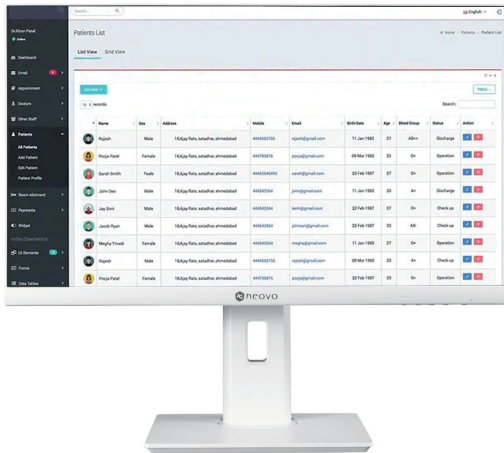


ME-2701 27" CLINICAL REVIEW MONITOR

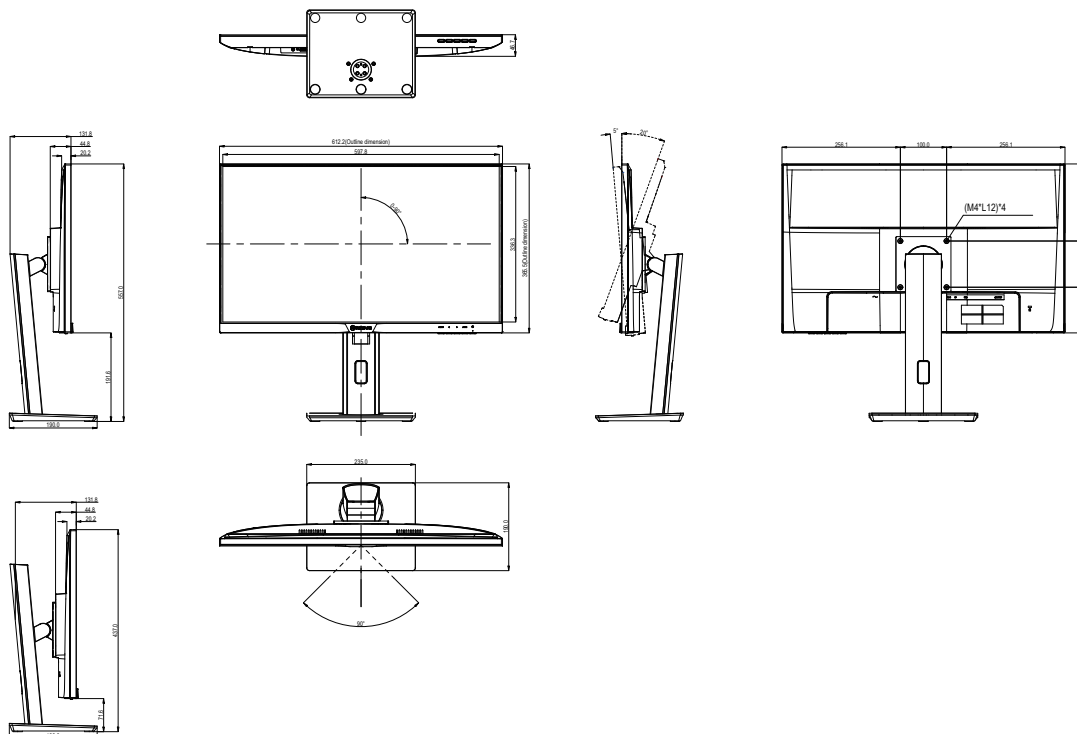
FEATURES

- Full HD 1920 x 1080 resolution
- Medical adaptor certified to IEC/EN 60601-1 and IEC/EN 60601-2 medical standards
- Ergonomic stand design with tilt, pivot, swivel, and height adjustment
- HDMI and DisplayPort inputs with integrated dual speakers
- VESA mounting suitable for flexible installation in healthcare settings.



Introducing the ME-2701, a 27" clinical review monitor thoughtfully crafted to revolutionise document scrutiny in clinics. Every meticulous detail is accentuated, enhancing patient record evaluations. Beyond its crisp display, the monitor champions safety with its IEC/EN 60601 certified power adaptor. Its sophisticated ergonomic design, combined with VESA mounting compatibility, promises versatility – from a traditional desk setup to the hustle and bustle of medical trolleys.

TECHNICAL DRAWING



SPECIFICATIONS

| Panel | |
|-------------------------------|--|
| Panel Type | IPS |
| Panel Size | 27.0" |
| Max. Resolution | FHD 1920 x 1080 |
| Pixel Pitch | 0.311 mm |
| Brightness | 250 cd/m ² |
| Contrast Ratio | 20,000,000 (DCR) |
| Viewing Angle (H/V) | 178°/178° |
| Display Colour | 16.7M |
| Response Time | 5 ms |
| Surface Treatment | Anti-Glare Treatment (Haze 25%), 3H Hard Coating |
| Frequency | |
| Frequency (H) | 30 kHz-112 kHz |
| Frequency (V) | 56 Hz-100 Hz |
| Signal Input | |
| DisplayPort | x 1 |
| HDMI | 1.4 x 1 |
| Audio | |
| Audio Out | Stereo Audio Jack (3.5 mm) |
| Internal Speakers | 2W x 2 |
| Power | |
| Power Supply | External |
| Power Requirements | DC 12V, 5.0A |
| On Mode | 20W (On) |
| Standby Mode | < 0.5W |
| Off Mode | < 0.3W |
| Operating Conditions | |
| Temperature | 0°C-40°C (32°F-104°F) |
| Humidity | 10%-85% (non-condensing) |
| Storage Conditions | |
| Temperature | -20°C-60°C (-4°F-140°F) |
| Humidity | 5%-95% (non-condensing) |
| Mounting | |
| VESA FPM/PMI | Yes (100 x 100 mm) |
| Stand | |
| Tilt | -5° to 20° |
| Pivot | 0° to 90° |
| Swivel | ± 45° |
| Height Adjustment | 0-120 mm |
| Security | |
| Kensington Security Slot | Yes |
| Dimensions | |
| Product with Base (W x H x D) | 612.2 x 557.0 x 190.0 mm (24.1" x 21.9" x 7.5") |
| Product w/o Base (W x H x D) | 612.2 x 336.3 x 46.7 mm (24.1" x 13.2" x 1.8") |
| Packaging (W x H x D) | 696.0 x 437.0 x 188.0 mm (27.4" x 17.2" x 7.4") |
| Weight | |
| Product with Base | 6.2 kg (13.7 lb) |
| Product w/o Base | 3.9 kg (8.6 lb) |
| Packaging | 7.9 kg (17.4 lb) |
| Regulation Approval | |
| Certifications & Compliance | CE, LVD, WEEE, RoHS, REACH, EAC |
| Power Adaptor Certifications | CE, BSMI, CCC, CB, WEEE, cUL, FCC, PSE, IEC/EN 60601-1, IEC/EN 60601-1-2 |
| Accessories | |
| Supplied | HDMI Cable, Power Adaptor, Power Cord, Quick Start Guide |
| Optional Accessories | |
| Ceiling Mount | CMP-01 + WMK-03 |
| Wall Mount | WMA-01, WMK-01, WMK-03, PMK-01 |
| Desk Mount | DMC-01, DMC-02D, DMS-01D, ES-02 |



All specifications are subject to change without prior notice.
Copyright © 2024 AG Neovo. All rights reserved.
The name AG Neovo is a trademark of AIC.
All other trademarks are the property of their respective owners.
P/C: ME2710 Version 1.1, 20241024