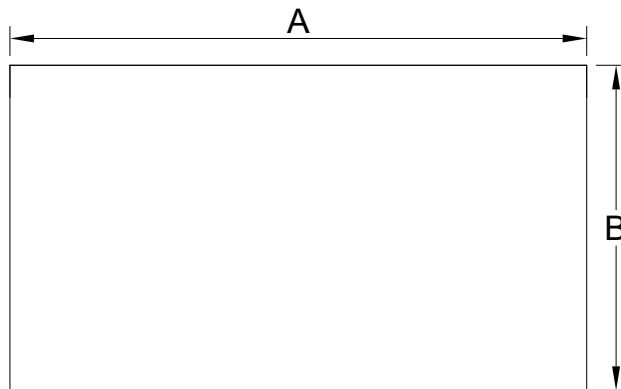
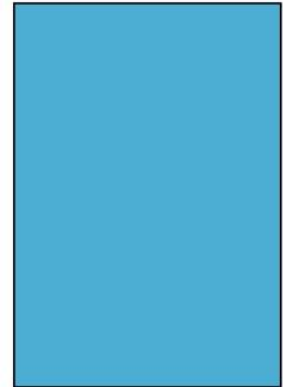


Technical Data Sheet

Model No.: N72A03

- **Product Name:** Surgical Drape
- **Classification:** Class Is, according to Annex VIII in MDR (EU) 2017/745
- **Description:** Surgical drape is made of Hydrophilic PP+PE. There are different design styles: with fenestration or not, with tape or not. It could be used for different operations according to its intended use. It is intended to be used to isolate the dust and bacteria, prevent the cross infection.
- **Intended use:** Used to isolate the dust and bacteria, prevent the cross infection.
- **Material:** Hydrophilic PP+PE 55gsm
- **Approvals:** CE, ISO 13485
- **Manufacturer:** Leboo Healthcare Products Limited
- **Country of origin:** China
- **Specification:** Detail see specification as below.



Material	Weight (gsm)	Size(cm)	Measurement Location(cm)				Color	Style
			A	B	C	D		
Hydrophilic PP+PE	55	50*40	50	40	/	/	Blue	EO Sterile

Design:

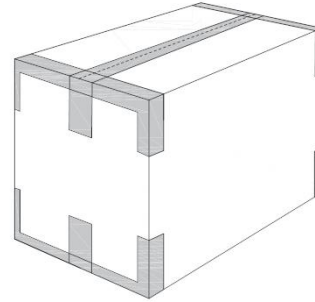
Check:

Approve:

Date:

● Packaging:

- (1) Carton Requirements: Five layers corrugated
- (2) Packing Quantity: 1pc/pouch, 200pcs/ctn
- (3) 5 Layers Carton(Paper)



● Storage:

- (1) Store in dry, clean conditions in original packaging.
- (2) Store away from direct sunlight, source of high temperature and solvent vapors.
- (3) Store with the temperature range -5°C to +45°C and with relative humidity below 65%.

● Shelf Life:

Shelf life is 36 months from the date of manufacture when stored as stated above.

● Cautions and disposal:

- (1) Do not contact with heavy oils, sparks or flames;
- (2) Do not use in the environment with conditions of excessive heat;
- (3) Replace if damaged, heavily contaminated or in accordance with local practice;
- (4) Hand and dispose of contaminated products with care and in accordance with national regulations.

CE 0197

CE Symbol



Medical Device



Keep away from sunlight



Do not reuse



Keep dry



Don't use when packing damaged and consult instructions for use



Temperature limit



EO Sterile

LEBOO HEALTHCARE PRODUCTS LIMITED



Authorized Signature

Design:

Check:

Approve:

Date: