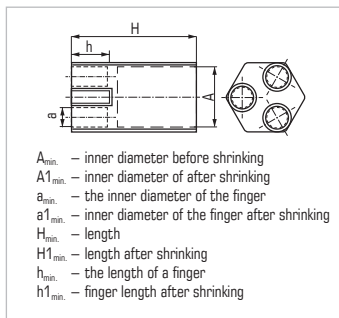


HEAT SHRINK BREAKOUT BOOTS

Heat shrink breakout boots: 2-core, 3-core, 4-core and 5-core – type AK

**Properties:**

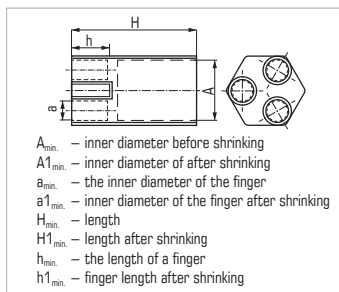
Heat shrink breakout boots AK are designed for insulation of cable ends at separated cores.

They are elements for both indoor and outdoor terminations and cable joints of polymer or paper insulated cables.

Voltage: 0,6/1kV and 3,5/6kV

Product name	Index	Number of cores	Dimensions [mm]								Wall thickness	Core thickness	Cumulative packing [sets]	Availability
			A	A1	a	a1	H	H1	h	h1				
AK2 1,5-25	TKP2K030101204C1	2	30,0	10,0	12,0	4,0	70,0	95,0	18,0	28,0	2,0	2,0	1	ON REQUEST
AK2 25-120	TKP2K050242107C1	2	50,0	24,0	21,0	7,0	85,0	120,0	29,0	40,0	3,0	3,0	1	ON REQUEST
AK2 120-240	TKP2K098422808C1	2	98,0	42,6	28,4	8,2	147,4	165,3	65,8	68,8	3,3	3,3	1	ON REQUEST
AK3 1,5-16	TKP3K025090903C1	3	25,0	9,0	9,0	3,0	45,0	76,0	14,0	20,0	2,5	1,2	1	ON REQUEST
AK3 4-35	TKP3K035151304C1	3	35,0	11,6	13,0	3,5	85,0	117,0	18,0	31,0	2,2	1,4	1	ON REQUEST
AK3 25-120	TKP3K050212209C1	3	50,0	21,1	22,0	9,0	165,4	164,3	31,0	50,0	3,5	2,2	1	ON REQUEST
AK3 95-300	TKP3K075313214C1	3	75,0	31,0	32,0	14,0	190,0	220,0	55,0	60,0	3,5	2,7	1	IN STOCK
AK4 1,5-10	TKP4K028090802C1	4	28,0	9,0	8,0	2,0	50,0	78,0	16,0	21,0	2,7	2,7	1	ON REQUEST
AK4 6-35	TKP4K035161205C1	4	35,0	16,0	12,0	5,0	85,0	105,0	14,0	20,0	2,3	1,4	1	IN STOCK
AK4 25-95	TKP4K055202006C1	4	55,0	20,0	20,0	6,0	140,0	150,0	30,0	38,0	3,0	2,5	1	IN STOCK
AK4 35-150	TKP4K060262210C1	4	60,0	26,0	22,0	10,0	154,5	187,4	38,4	51,5	5,6	2,5	1	IN STOCK
AK4 95-300	TKP4K090353414C1	4	90,0	35,0	34,0	14,0	170,0	218,0	51,0	58,0	4,0	2,8	1	IN STOCK
AK4 240-400	TKP4K135515114C1	4	135,0	50,6	51,5	13,9	213,2	241,8	68,0	78,7	4,2	4,2	1	ON REQUEST
AKF1	TKP4K162706418C1	4	162,0	70,0	64,0	18,0	240,0	260,0	75,0	80,0	4,2	4,2	1	IN STOCK
AK5 1,5-16	TKP5K032071103C1	5	31,5	6,1	11,2	2,7	50,0	60,0	20,0	28,0	1,5	1,8	1	IN STOCK
AK5 10-70	TKP5K058151604C1	5	57,0	14,7	15,8	2,9	83,0	112,0	20,5	30,5	2,0	1,9	1	IN STOCK
AK5 70-185	TKP5K081312707C1	5	81	31	27	6,9	155	190	46	66	1,6	2,6	1	ON REQUEST
AK5 150-240	TKP5K102423308C1	5	102,0	41,8	33,6	7,7	162,9	196,7	64,5	71,3	4,1	3,2	1	ON REQUEST

3-core heat shrink breakout boots for MV up to 36kV – type AKR

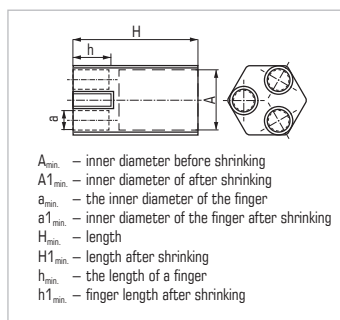
**Application:**

Heat shrink breakout boots AKR are designed for insulation of MV cable ends at separated cores.

They are an integral part of MV indoor and outdoor cable terminations.

Product name	Index	Number of cores	Dimensions [mm]								Wall thickness	Core thickness	Cumulative packing [sets]	Availability
			A	A1	a	a1	H	H1	h	h1				
AKR 1	TKP3K050212209D1	3	50	21	22	9	180	187	45	50	3,0	2,5	1	ON REQUEST
AKR 2	TKP3K075313214D1	3	75	31	32	14	160	210	56	60	4,0	2,2	1	ON REQUEST
AKR 3	TKP3K110455521D1	3	110	45	55	21	160	230	53	55	3,5	2,2	1	ON REQUEST
AKR 4	TKP3K135566428D1	3	135	55	64	27	230	250	52	56	3,8	2,8	1	IN STOCK
AKR 5	TKP3K170568528D1	3	170	56	68	28	230	250	40	65	3,8	2,8	1	IN STOCK

Heat shrink breakout boots – type AKB, AKF



Application:

Heat shrink breakout boots AK, AKB and AKF (black ones) are designed for cable insulation at the end of mechanical casing (plastic or metal) on the overhead transmission line of MV.

The heat shrink boots protect the cable against water penetration, dust, insects and other dirt. These breakout boots are meant for Low and Medium Voltage cables.

Product name	Index	Number of cores	Dimensions [mm]								Wall thickness	Core thickness	Cumulative packing [sets]	Availability
			A	A1	a	a1	H	H1	h	h1				
AKB 3	TKP3K125465222C1	3	125	46	52	22	160	230	40	60	3,8	2,5	1	ON REQUEST
AKB 4	TKP3K135606426C1	3	135	60	64	26	230	250	40	65	3,8	2,8	1	ON REQUEST
AKB 5	TKP3K170568528C1	3	170	56	68	28	230	250	40	65	3,8	2,8	1	IN STOCK
AK 4 240-400	TKP4K135515114C1	4	135	50,6	51,5	13,9	213,2	241,8	68	78,7	4,2	4,2	1	ON REQUEST
AKF1	TKP4K162706418C1	4	162	70,0	64	18	240	260	75	80	4,2	4,2	1	IN STOCK

Properties

Operating temperature	AK, AKB, AKF: from -30°C up to +135°C	AKR: from -40°C up to +120°C
Shrink temperature	> +125°C	
Elongation at rupture	minimum 300%	
Tensile strength	no less than 13 MPa	
Longitudinal shrink	not more than 10%	
Volume resistivity	AK, AKB, AKF: minimum 10^{13} Ωcm	AKR: minimum 10^{12} Ωcm
Self-extinguishing	relates to AKR	
No corrosion in contact with CU		
Resistant to UV radiation		
Resistant to creeping current	(breakouts red – AKR)	
Dielectric strength	minimum 10kV/mm	
Resistance to heat shock	no cracks, no flow (measurement for 4 hours at 250°C)	
Heat ageing	no cracks, no flow (measurement for 500 hours at 120°C)	
They have excellent insulating properties and sealing		
Colours	AK, AKB, AKF: black color, AKR: red colour	

Example of applications of breakout boots.

