

MHA/K 91

AIRCOOLED CONDENSING UNIT WITH AXIAL FANS AND SCROLL COMPRESSOR



The picture and the descriptions are only a sample of the selected unit. The real unit configuration can change depending on versions and or accessories selected.

TECHNICAL FEATURES

General description.

Aircooled condensing unit with axial fans for outdoor installation.

Frame.

Self-supporting frame, in peraluman and galvanized sheet. Stainless-steel screws.

Compressor.

Three-phase hermetic Scroll compressor with oil sight glass. They are fitted with internal overheat protection and crankcase heater. They are installed on rubber shock absorbers.

Fans.

Axial fans with low rpm and special wing profile, directly coupled to external rotor motors. A safety fan guard is fitted on the air flow discharge.

Condenser

Made of a finned coil with copper pipes and aluminium fins.

Electrical board.

It includes: main switch with door safety interlock; fuses; compressor remote control switch; electronic card for the control of the main functions of the unit (WP only).

MHA/K 91

Refrigerant circuit.

Made of copper pipe, it includes the following components on all models: manual reset high pressure switch and automatic reset low pressure switch; automatic reset low pressure switch; connections to be brazed.

ACCESSORIES

CC - Condensing control down to -20 °C

TECHNICAL DATASHEET



MHA/K 91

TECHNICAL DATA

Unit		MHA/K 91
Refrigerant		R410A
Refrigerant circuits	n°	1
Refrigerant charge	kg	0.0

Cooling conditions

Ambient air - Temperature	°C	37.0
Ambient air - Relative humidity	%	50
Evaporating temperature	°C	5.0
Elevation	m	0

Cooling performances

Cooling capacity	kW	25.7
Compressors absorbed power	kW	8.5
Total absorbed power (1)	kW	9.0
Partialization	%	100
EER		2.87

Compressors

Type		Scroll
Number	n°	1
Capacity steps	%	0-100
Minimum capacity step	%	100

Fan section

Exchanger coil		Finned coil Cu-Al
Type		Axial
Number	n°	1
Airflow	m ³ /s	2.3
Fans absorbed power	kW	0.5
Fans absorbed current	A	2.4
Fans available static pressure	Pa	0

Dimensions

Length	mm	1850
Width	mm	1000
Height	mm	1300

TECHNICAL DATASHEET



MHA/K 91

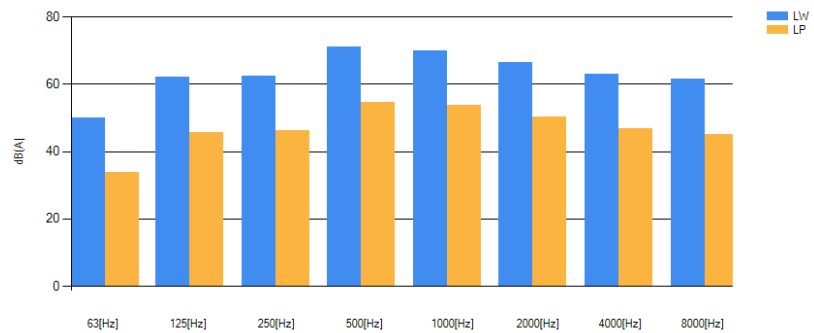
Weight

Transport weight	kg	218
Operating weight	kg	221

Sound data

Sound power (Lw) (2)	dB(A)	75.3
Sound pressure (Lp) (3)	dB(A)	59.0
Distance from the unit	m	1

Frequency	Lw	Lp
Hz	dB(A)	dB(A)
63	50.0	33.7
125	62.0	45.7
250	62.5	46.2
500	71.0	54.7
1000	70.0	53.7
2000	66.5	50.2
4000	63.0	46.7
8000	61.5	45.2
TOT	75.3	59.0



Electrical data

Absorbed current	A	20.4
Max running current	A	23.0
Unit max starting current	A	142.0
Power supply	V-Hz-ph	400/50/3+N
Auxiliary supply	V-Hz-ph	230-24/50/1

Notes

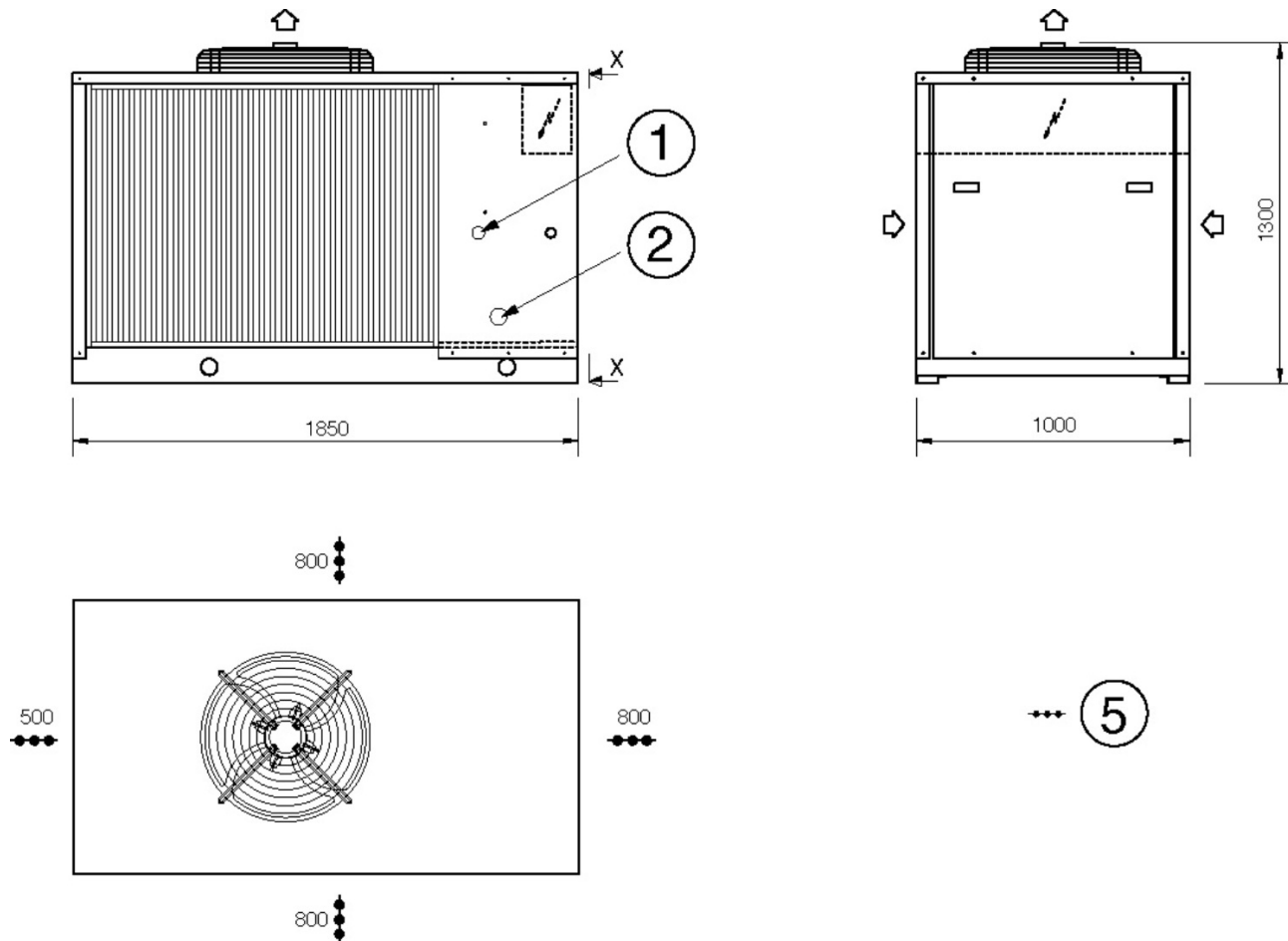
- (1) Compressors and fans absorbed power
 (2) Sound power according to Standard ISO 3744 and Eurovent 8/1.
 (3) Sound pressure measured in free field conditions. Average value as defined by ISO 3744.
 The reported performances are obtained from theoretical calculations and therefore affected by tolerances.
 The manufacturer reserves the right to modify the data whenever it is considered necessary, without prior notice.

TECHNICAL DATASHEET



MHA/K 91

DIMENSIONAL DRAWING



- 1) Suction line
- 2) Liquid line
- 3) Clearance area