

(MEGASAN Technical Drawing)

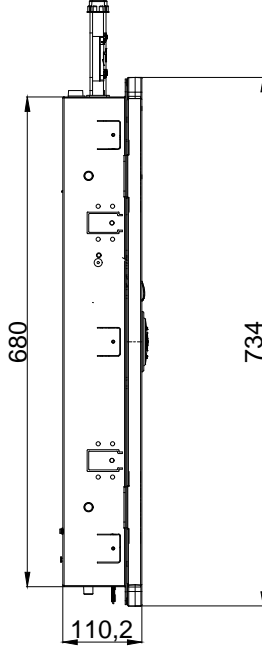
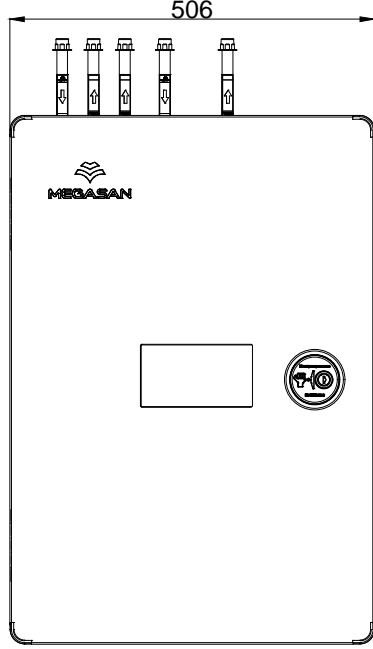
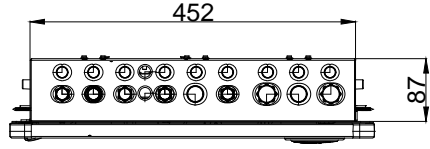
Notlar (Notes) :

MG-KKA2-SA Kat Kontrol ve Alarm Ünitesi- 2 Gazlı-Sıvaaltı  
Zone Control and Alarm Unit - 2 Gases- Flush Mount  
1 Adet

(Gazlar) Gases: O2,MA4

Nist bağlantılı (Nist connected) ,

Tek Çıkışlı MA4 (single Output) ,Çift Çıkışlı O2 (Dual Output),  
Boru Çapı Ø 15 mm - Ø15 mm pipeline



Alarm :

: PLC Alarm

: Touchscreen alarm (optional)  
: Dokunmatik Alarm (Opsiyonel)

: No Alarm

: Nist Connection (Nist Bağlantısı)

Exit for O2:

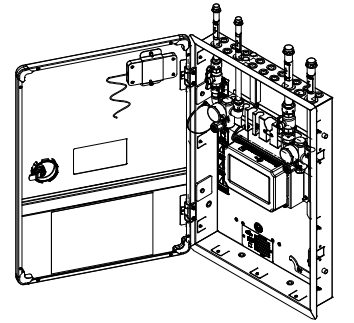
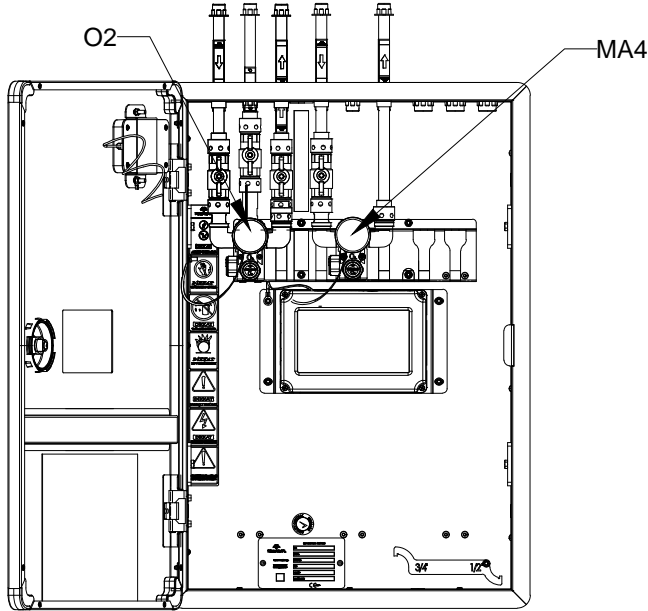
: Single (Tekli)

: Double (Çiftli)

Exit for MA4:

: Single (Tekli)

: Double (Çiftli)



Müşteri Onayı (Customer Confirmation)

Temsili Çizim  
Symbolic Drawing



İs Emri Verilis Tarihi	Müşteri:	nite No: 10			
		İsim	İmza	İş Emri Numarası	
	Onaylayan:			22-00851	
	Hazırlayan:	ÇİĞDEM KÖSELİ		Proforma invoice No:	



CERTIFICATE



## EC Certificate

### Full Quality Assurance System according to Medical Devices Directive 93/42/EEC Annex-II Section 3

Certificate Number: 1984-MDD-17-450

We hereby declare that an examination of the under mentioned full quality assurance system has been carried out following the requirements of the national legislation to which the undersigned is subjected, transposing annex II (with the exemption of section 4) of the Directive 93/42/EEC on medical devices. We certify that the full quality assurance system conforms with the relevant provisions of the aforementioned directive.

**Organization:**

**MEGASAN MEDİKAL GAZ SİSTEMLERİ TIBBİ ALET VE CİHAZLAR İNŞAAT  
TAAHHÜT MADENCİLİK NAKLİYE TURİZM İTHALAT İHRACAT  
SANAYİ VE TİCARET ANONİM ŞİRKETİ**

**Head Office:** Cumhuriyet Mah. Dövençiler Sok. Zafer İş Hanı Apt. No:33/411  
Merkez, Çankırı, Turkey

**Factory / Branch:** Dere Mah. Aşağı Ağıl Önü Mevkii Cad. No: 18 PK:18700  
Eldivan, Çankırı, Turkey

**Products:** Medical Gas Plants, Medical Vacuum Plant, AGSS Plant, Intensive Care Units, Zone Control and Alarm Units, Operating Theater Pendants, Flowmeters, Patient Bedhead Units, Vacuum Regulators, Low Pressure Regulators, Medical Gas Outlets, AGSS Outlets, Medical Vacuum Outlets, Gas Probes, Vacuum Probes, AGSS Probes, High Pressure Reducer

**Trademarks:** MEGASAN, MEGATEK, HOSPİTECH, HASTEK

Products defined at the enclosure which is the part of this certificate and contains two pages. The certificate is valid till expiration date, subject to successful completion of periodical surveillance audits. Please contact Kiwa for details.

**Report Number:** M.4034.09

**Date of first issue:** 18 July 2017

**Date of last issue:** 06 May 2020

**Revision Number:** 03

**Expiry Date:** 27 May 2024

Muhteşem Gökhan Yücel  
Head of Notified Body

06 May 2020, Istanbul, Turkey

**MEGASAN MEDİKAL GAZ SİSTEMLERİ TIBBİ ALET VE  
CİHAZLAR İNŞAAT TAAHHÜT MADENCİLİK NAKLİYE TURİZM  
İTHALAT İHRACAT SANAYİ VE TİCARET ANONİM ŞİRKETİ**

**HQ:** CUMHURİYET MAH. DÜVENCİLER SOK. ZAFER İŞ HANI APT. NO: 33/411 MERKEZ - ÇANKIRI - TURKEY  
**FACTORY:** DERE MAH. AŞAĞI AĞIL ÖNÜ MEVKİİ CAD. NO: 18 PK: 18700 ELDİVAN - ÇANKIRI - TURKEY

with a scope of

**DESIGN, PRODUCTION, INSTALLATION, TECHNICAL SERVICING AND  
DISTRIBUTION OF MEDICAL GAS CENTRALS, ZONE CONTROL UNITS, ALARM  
PANELS, MEDICAL GAS TERMINAL UNITS AND PROBS, AGSS SYSTEMS,  
BEDHEAD UNITS, INTENSIVE CARE UNITS, PENDANTS, FLOWMETERS,  
PRESSURE AND VACUUM REGULATORS**

## ISO 9001:2015

Has established a quality management system in accordance  
with international standard.

*"Following elements of the standard are excluded"*


*"None"*

Certificate No : M 9582  
Initial Certification Date : 21 December 2012  
Certification Date : 12 April 2021  
Expiration Date : 11 April 2024

Kiwa Belgelendirme Hizmetleri A.Ş.  
İTOSB 9. Cadde No. 15 Tepeören Tuzla  
İstanbul / Turkey

Tel: +90 216 593 25 75  
Faks: +90 216 593 25 74  
[info@kiwa.com.tr](mailto:info@kiwa.com.tr)  
[www.kiwa.com.tr](http://www.kiwa.com.tr)

Certificate is valid till expiration date,  
subject to successful completion of  
periodical surveillance audits.  
Please contact above numbers for  
detailed information.



General Manager



TÜRKAK BDS NO  
YS-6D62-27F3