

Receiver

From

Society
Reference
Address
Phone
Fax
E-mail

Item n° : 505907622
Customer pos. no.:
Model : BPH 120/250.40 T

Pump data

Pressure rating : 1000 kPa
Min. fluid temperature : -10 °C
Max. fluid temperature : 120 °C

Minimum suction head :

Temperature	°C	75	90	110	120
Minimum suction head :	m	6	9	--	23

Requested data

Flow :
Head :
Fluid (%) :
Fluid Temperature : 20 °C
Density : 998.3 kg/m³
Kinematic viscosity : 1.005 mm²/s
Vapor pressure : 2.34 kPa

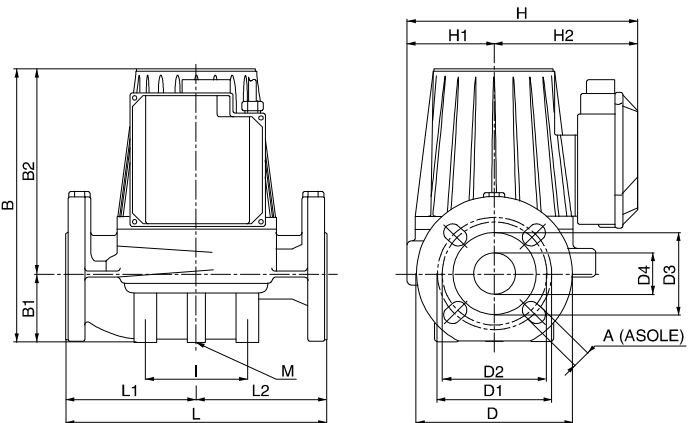
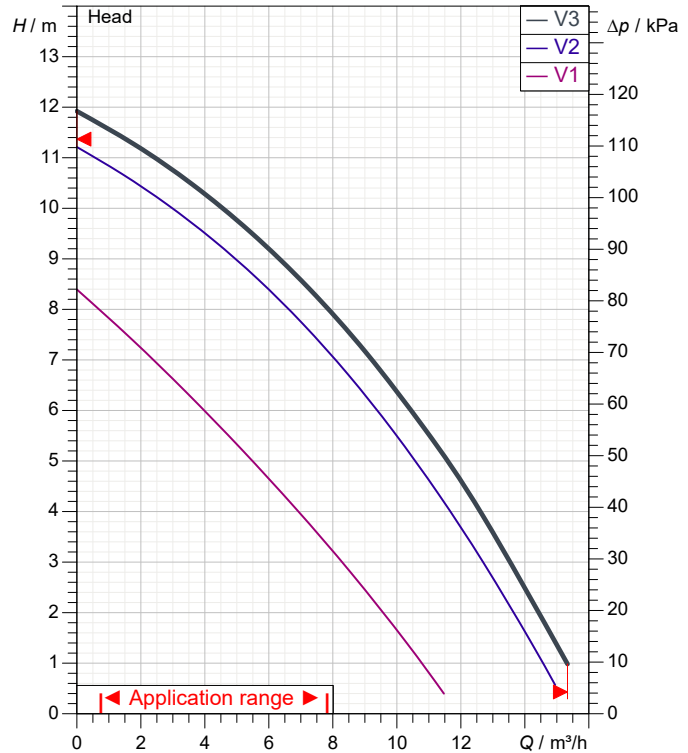
Hydraulic data (duty point)

Flow :
Head :

Materials

Pump body	Cast iron 200 UNI ISO 185
Impeller	Technopolymer B
Motor shaft	AISI 420 C
Air vent plug	Brass P Cu Zn40 Pb2 UNI 5705
Seal ring	Ethylene propylene (EPDM)
Motor casing	Die cast aluminium
Stator jacket	AISI 321Bon. - AISI 304

Curve tolerance according to ISO 9906



Motor data

Motor brand : DAB
Power input P1 : 0.536 kW
Rated speed : 2780 1/min
Rated voltage : 3~ 400 V 50 Hz
Nominal current : 1.16 A
Degree of protection : IP 44

Dimensions in mm

A	18	D	150	D4	40	I	100
B	266	D1	110	H	221	L	250
B1	66	D2	100	H1	83	L1	125
B2	200	D3	80	H2	138	L2	125

Weight : 17.5 kg

Pump connection

Suction side : DN 40 / 1000 kPa
Discharge side : DN 40 / 1000 kPa



PERFORMANCE CURVES

2022-12-14

Page 2 / 3

DAB PUMPS S.p.A.
Via Marco Polo, 14 - 35035 Mestrino (PD), Italy
Tel. +39 049 5125000 - Fax +39 049 5125950
www.dabpumps.com

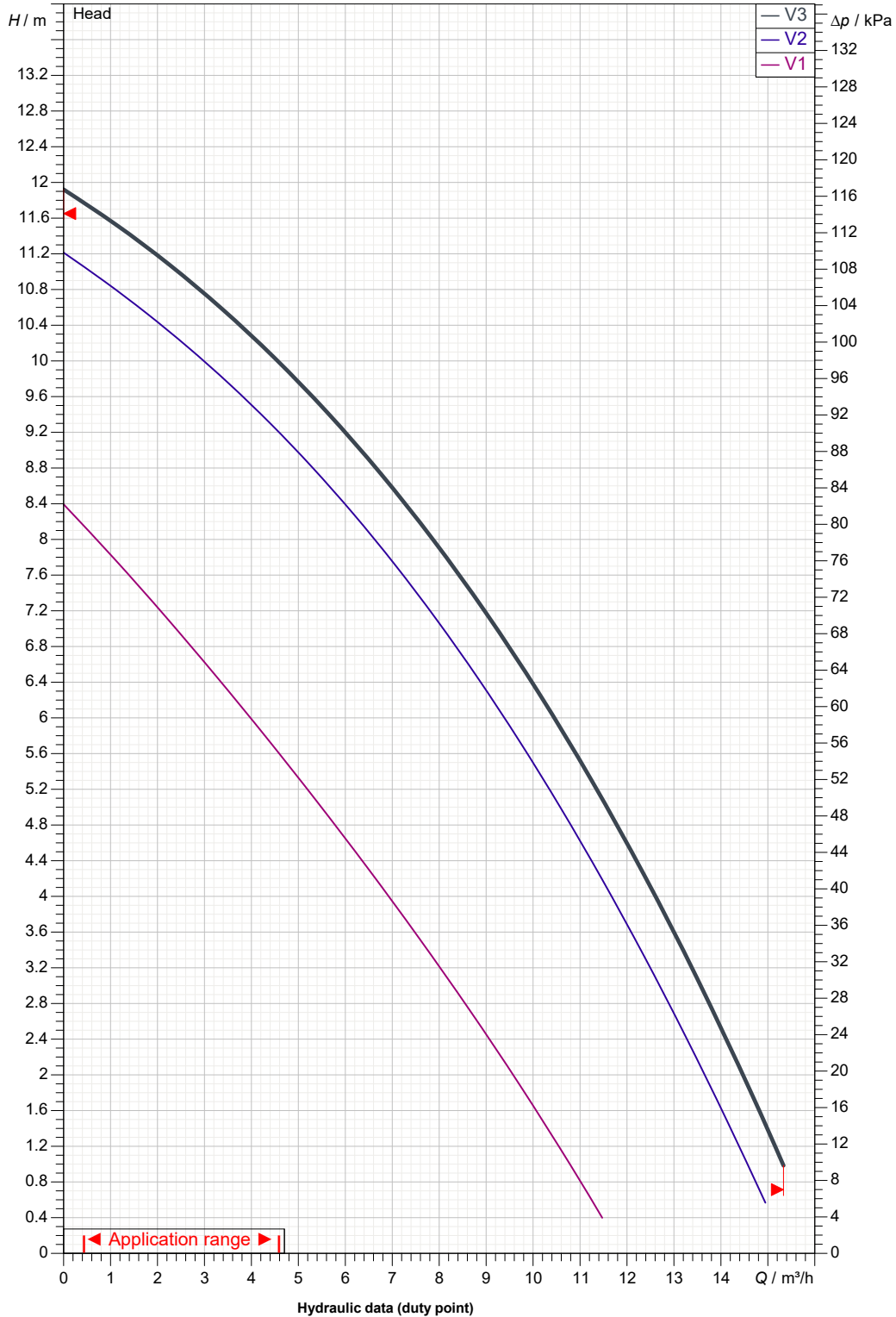
Receiver

From

Society
Reference
Address
Phone
Fax
E-mail

BPH 120/250.40 T

Curve tolerance according to ISO 9906



Suction side : DN 40 1000 kPa	Discharge side : DN 40 1000 kPa	Flow :	Head :	Rated speed : 2780 1/min
MAIN_PROJECT_TITLE	BUSINESS_PROCESS_IT	OWNER_	ISSUE_DATE 2022-12-14	



DIMENSIONAL DRAWING

2022-12-14

Page 3 / 3

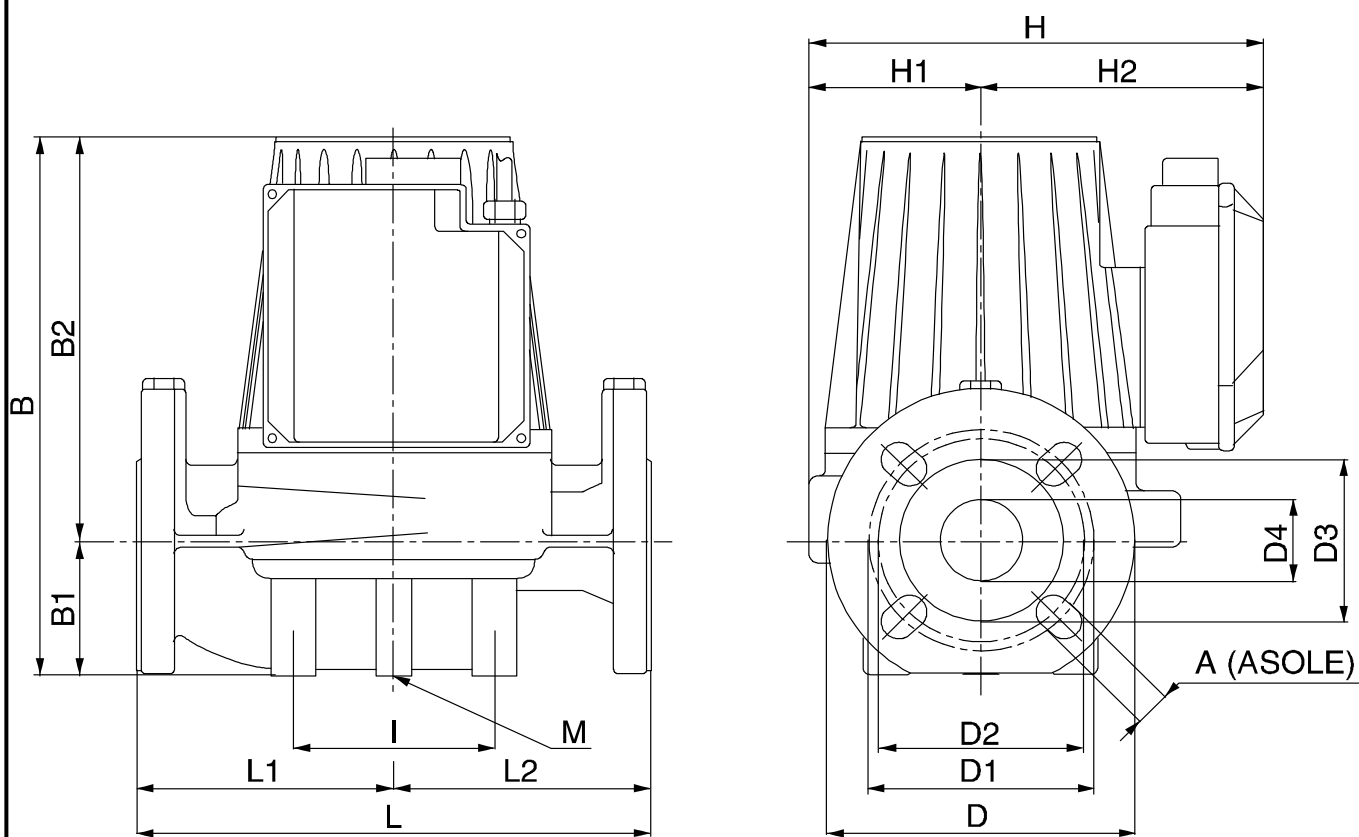
DAB PUMPS S.p.A.
Via Marco Polo, 14 - 35035 Mestrino (PD), Italy
Tel. +39 049 5125000 - Fax +39 049 5125950
www.dabpumps.com

Receiver

From

Society
Reference
Address
Phone
Fax
E-mail

BPH 120/250.40 T



Dimensions in mm

Pump connection

1	A	18	H2	138	Suction DN 40 1000 kPa Discharge DN 40 1000 kPa
2	B	266	I	100	
3	B1	66	L	250	
4	B2	200	L1	125	
5	D	150	L2	125	
6	D1	110	M	M10	
7	D2	100			
8	D3	80			
9	D4	40			
10	H	221			
11	H1	83			

MAIN_PROJECT_TITLE

BUSINESS_PROCESS_II

OWNER_

ISSUE_DATE

2022-12-14