

[About us](#)[Our offer](#)[References](#)[Contacts](#)[Downloadable materials](#)[Materbud » Flanged fittings » All flanged cross TT](#)

## Our offer

Products list

[<< Previous product](#)

[Next product >>](#)

### All flanged cross TT

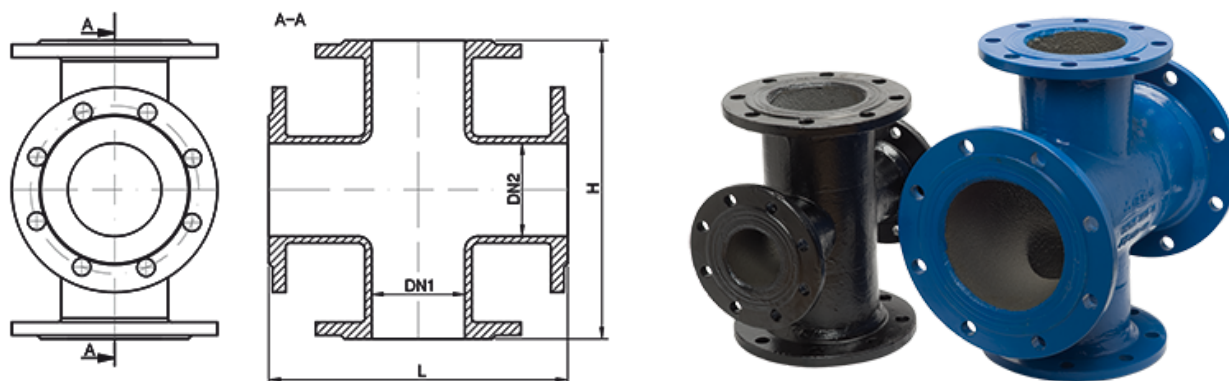


Table of sizes

DN1 [mm]	DN2 [mm]	L [mm]	H [mm]	Standard
50	50	300	300	ZN-MB 02.TT.
65	65	330	330	ZN-MB 02.TT.
80	80	330	330	ZN-MB 02.TT.
100	100	360	360	ZN-MB 02.TT.
125	125	400	400	ZN-MB 02.TT.
150	100	300	400	ZN-MB 02.TT.
150	150	440	440	ZN-MB 02.TT.
200	100	400	440	ZN-MB 02.TT.
200	150	460	470	ZN-MB 02.TT.
200	200	520	520	ZN-MB 02.TT.
250	250	700	700	ZN-MB 02.TT.
300	100	800	800	ZN-MB 02.TT.
300	150	500	580	ZN-MB 02.TT.
300	200	560	600	ZN-MB 02.TT.
300	300	800	800	ZN-MB 02.TT.
350	350	850	850	ZN-MB 02.TT.
400	400	900	900	ZN-MB 02.TT.

450	450	950	950	ZN-MB 02.TT.
500	500	1000	1000	ZN-MB 02.TT.
600	600	1100	1100	ZN-MB 02.TT.
800	800	1350	1350	ZN-MB 02.TT.

Flanged connections and holes PN-EN 1092:1999 (DIN 2501), work pressure PN10, PN16

#### Sizes of flanges:

Technical terms and loading, technical page

Complete sizes of flanges according to standard PN-EN 1092-2



DN [mm]	PN10						PN16						Standard
	D [mm]	K [mm]	A [mm]	holes	d [mm]	bolts	D [mm]	K [mm]	A [mm]	holes	d [mm]	bolts	
50	165	125	19	4	19	m16	165	125	19	4	19	m16	PN-EN 1092-2
65	185	145	19	4	19	m16	185	145	19	4	19	m16	PN-EN 1092-2
80	200	160	19	8	19	m16	200	160	19	8	19	m16	PN-EN 1092-2
100	220	180	19	8	19	m16	220	180	19	8	19	m16	PN-EN 1092-2
125	250	210	19	8	19	m16	250	210	19	8	19	m16	PN-EN 1092-2
150	285	240	19	8	23	m20	285	240	19	8	23	m20	PN-EN 1092-2
200	340	295	20	8	23	m20	340	295	20	12	23	m20	PN-EN 1092-2
250	400	350	22	12	23	m20	400	355	22	12	28	m24	PN-EN 1092-2
300	455	400	24,5	12	23	m20	455	410	24,5	12	28	m24	PN-EN 1092-2
350	505	460	24,5	16	23	m20	520	470	26,5	16	28	m24	PN-EN 1092-2
400	565	515	24,5	16	28	m24	580	525	28	16	31	m27	PN-EN 1092-2
450	615	565	25,5	20	28	m24	640	585	30	20	31	m27	PN-EN 1092-2
500	670	620	26,5	20	28	m24	715	650	31,5	20	34	m30	PN-EN 1092-2
600	780	725	30	20	31	m27	840	770	36	20	37	m33	PN-EN 1092-2
700	895	840	32,5	24	31	m27	910	840	39,5	24	37	m33	PN-EN 1092-2
800	1015	950	35	24	34	m30	1025	950	43	24	40	m36	PN-EN 1092-2
900	1115	1050	37,5	28	34	m30	1125	1050	46,5	28	40	m36	PN-EN 1092-2
1000	1230	1160	40	28	37	m33	1255	1170	50	28	43	m39	PN-EN 1092-2
1200	1455	1380	45	32	40	m36	1485	1390	57	32	48	m45	PN-EN 1092-2

#### TECHNICAL DESCRIPTION OF THE PRODUCT:

MATERIAL OF BODY: spheroidal iron cast according to the norms PN-EN 545:2010

SHIPPING CONDITIONS: leak test according to the norms PN-EN 545:2010

POSSIBLE EMBODIMENT OF THE CORROSION RESISTANT COATING

External cover:

- powder coating RAL5005 (light blue color), coating thickness  $\geq 250\mu\text{m}$ , or

- powder coating RAL3000 (red color), coating thickness  $\geq 250\mu\text{m}$ , or
- spray coating RAL9005 (black color), coating thickness  $\geq 120\mu\text{m}$ .

Internal cover:

- powder painting like for external cover, or
- cement coating (according DIN2614), thickness 4-9mm

#### APPLICATION RANGE

Installations for transmission of drinking water (waterworks) and other neutral liquids, fed under pressure or without it, at temperatures up to 120°C.