



INSTITUT GUMÁRENSKÉ TECHNOLOGIE A TESTOVÁNÍ, A.S.
RUBBER TECHNOLOGY AND TESTING INSTITUTE, Plc.
INSTITUT FÜR GUMMITECHNOLOGIE UND PRÜFWESEN, A.G.
A.O. «ИНСТИТУТ ТЕХНОЛОГИИ РЕЗИНЫ И ИСПЫТАНИЙ»

Společnost je zapsána v obchodním rejstříku vedeném Krajským soudem v Brně, oddíl B, vložka 818



I 4078



PETLAS TIRE INDUSTRY
AND TRADE COMPANY
Kindam Mah.
Ankara-Kayseri Cad. No.2/1
40200 Kirsehir, TURKEY

E8*30R02/21*5624*00

Zlín 01st March 2021

Re

**Communication concerning the approval and notification of approval number-
inspection report**

Tyre type fully complies requirements of ECE/UN R30.

Enclosed you will find the Communication concerning the approval of your tyres according to ECE/UN Regulation No. **30**

On the base of this approval you are entitled to produce in your factory tyres of the dimension:

215/65R16 REINFORCED PETLAS MULTI ACTION PT565 102V

with the approval number : **E8*30R02/21*5624*00**
date of inspection: **01st March 2021**

Sincerely yours

IGTT a.s.

Tyre Approval Department
Štambereská 446, Louky
763 02 Zlín, Czech Republic

IC.ID: 469 000 80 DIČ/VAT: CZ469 000 80



Václav Hořelka
Head Of Tyre Approval Department
Head Of Inspection Body HS440

Ministerstvo dopravy České republiky
Ministry of Transport of the Czech Republic
Nábřeží L. Svobody 12, CZ-110 15 Praha 1

OSVĚDČENÍ o : 1/

COMMUNICATION concerning : 1/



UDĚLENÍ HOMOLOGACE
ROZŠÍŘENÍ HOMOLOGACE
ZAMÍTNUTÍ HOMOLOGACE
ODEBRÁNÍ HOMOLOGACE
DEFINITIVNÍM UKONČENÍ VÝROBY

APPROVAL GRANTED
APPROVAL-EXTENDED
APPROVAL-REFUSED
APPROVAL-WITHDRAWN
PRODUCTION-DEFINITELY-DISCONTINUED

Typu pneumatiky pro motorová vozidla podle Předpisu č. 30
of a type of pneumatic tyre for motor vehicles pursuant to Regulation No. 30

Homologace č.:

Rozšíření č.: -

Approval No.: E8*30R02/21*5624*00

Extension No.: N/A

- | | | | |
|------|---|---|--|
| 1. | Jméno a adresa výrobce
Manufacturer's name and address | : | PETLAS TIRE INDUSTRY
AND TRADE COMPANY
Kindam Mah.
Ankara-Kayseri Cad. No.2/1
40200 Kirsehir, TURKEY |
| 2. | Označení typu pneumatiky
Tyre type designation | : | MULTI ACTION PT565 |
| 2.1 | Obchodní značka (y)/ochranná známka (y)
Brand name(s)/trademark(s) | : | PETLAS |
| 2.2 | Obchodní popis(y) / obchodní název(y)
Trade description(s)/ Commercial name(s) | : | - |
| 3. | Název a adresa zástupce výrobce
(je-li potřebné)
If applicable, name and adress of
manufacturer's representative | : | -
N/A |
| 4. | Souhrnný popis
Sumarized description | : | |
| 4.1. | Označení rozměru pláště
Tyre size designation | : | 215/65R16 REINFORCED |
| 4.2. | Kategorie užití
Category of use | : | normální / zimní / speciál / na-dojetí /
normal / snow / special / temporary-use / 1/ |
| 4.3. | Konstrukce
Structure | : | diagonální/smíšená/radiální/run-flat
diagonal/bias-belted/radial/run-flat tyre 1/ |
| 4.4. | Kategorie rychlosti
Speed category symbol | : | V |
| 4.5. | Index nosnosti
Load capacity index | : | 102 |



- 4.6. Pneumatika s prodlouženou mobilitou : Ano / Ne
 Extended Mobility Tyre : Yes / No
5. Homologační zkušebna a případně zkušební laboratoř schválená pro účely homologace nebo pro ověřování shodnosti : IGTT a. s. - Institut gumárenské technologie a testování
 Technical service and where applicable, test laboratory additional approved purposes of approval or of verification of conformity : Rubber Technology and Testing Institute, Šternberská 446, Louky, 763 02 ZLÍN, CZECH REPUBLIC
6. Datum protokolu, vydaného touto zkušebnou : 17.02.2021
 Date of report issued by that service :
7. Číslo protokolu, vydaného touto zkušebnou : D021-0396
 Number of report issued by that service :
8. Důvod pro rozšíření (je-li potřebné) : -
 Reason (s) of extension (if applicable) :
9. Poznámky : -
 Any remarks :



Václav Hořelka

10. Místo : Praha
 Place :
11. Datum : 01.03.2021
 Date :
12. Podpis :
 Signature :

13. K osvědčení je přiložen seznam dokumentů obsažených v homologačních podkladech uložených u homologačního orgánu, který udělil homologaci, a které lze obdržet na vyžádání.
 Annexed to this communication is a list of documents in the approval file deposited at the Approval Authority which has considered this approval and which can be obtained upon request.

Seznam dokumentů
 List of documents

- žádost o homologaci / application for approval
- výkresy bočnice a běhounu pláště / drawing of the tyre sidewalls and tread
- kótovaný výkres příčného řezu pláště / dimensioned drawing of tyre cross – section

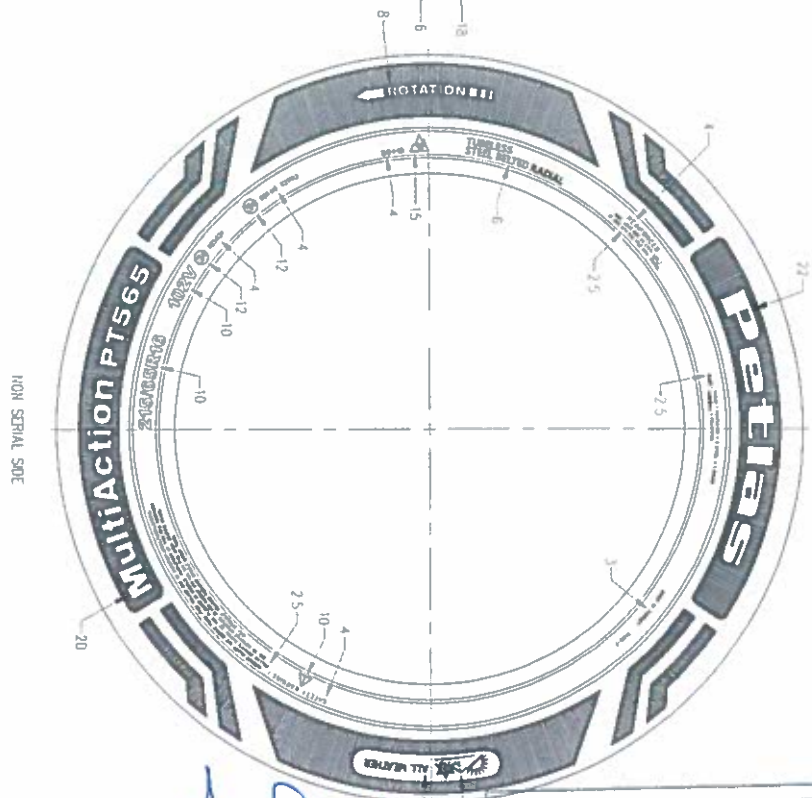
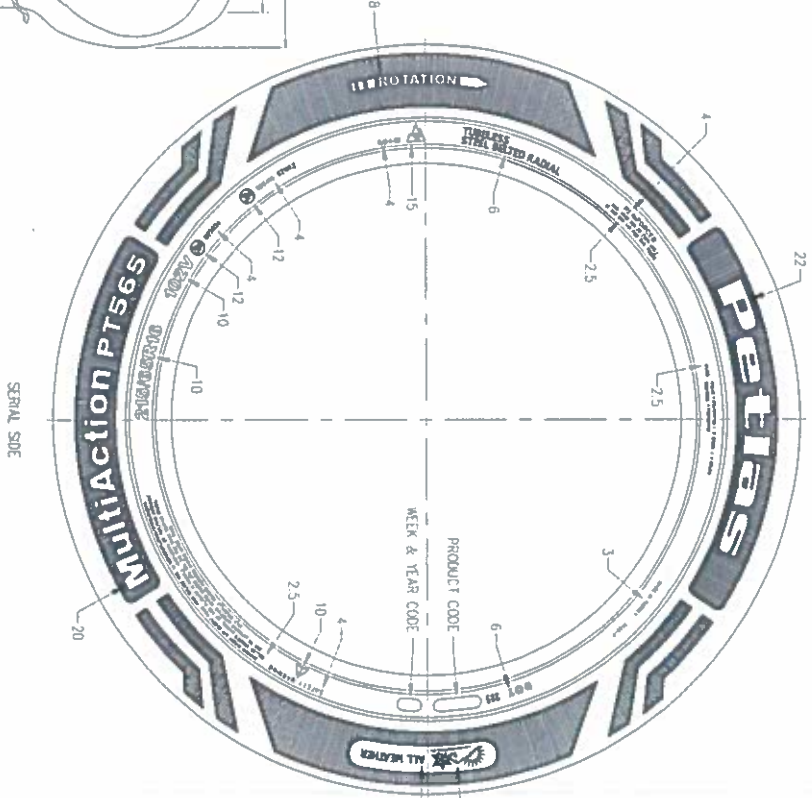
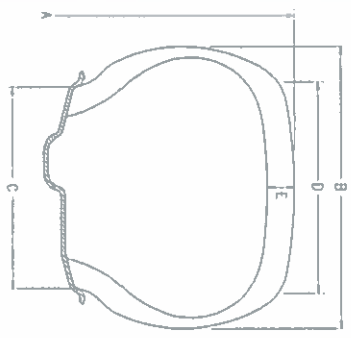
1/ Nehodící se škrtněte
 Delete that which does not apply

E8 0 2 5 6 2 4

APPLICATION FOR APPROVAL ECE No. 30

4.1.1	Tyre-size designation	: 215/65 R16	
4.1.2	The manufacturer's name	: PETLAS TIRE INDUSTRY AND TRADE COMPANY	
4.1.2.1	The Brand name(s)/trademark(s)	: PETLAS	
4.1.2.2	The trade description(s)/commercial name(s)	: Multi Action PT565	
4.1.3	Category of use (normal / snow / special use / temporary use)	: SNOW	
4.1.3.1	For the tyres belonging to the category of use "special use tyre" those which may bear the inscription M+S or M.S or M&S."	: YES	
4.1.4	Structure (diagonal(bias ply) / bias belted / radial)	: RADIAL	
4.1.5	Speed category	: V	
4.1.6	The load-capacity index	: 102	
4.1.7	Tube type / Tubeless	: TUBELESS	
4.1.8	Standard / Reinforced / T-type temporary use	: REINFORCED	
4.1.9	Whether the tyre is an EMT;	: NA	
4.1.10	The ply-rating number of diagonal (bias-ply) tyres	: NA	
4.1.11	Overall section width	221	mm
	Outer diameter	686	mm
4.1.12	The rims on which the tyre can be mounted	: 6J; 6½J; 7J; 7½J	inch
4.1.13	The measuring rim and test rim	: 6.5J	inch
4.1.14	The test pressure	: 3.4	bar
4.1.15	Factor X	: 0.70	
4.1.16	For tyres suitable for speeds in excess of 300 km/h, the maximum speed permitted by the tyre manufacturer and the load carrying capacity allowed for that maximum speed.	: NA	
4.1.17	The identification of the bead retention rim contours specific for the "flat tyre running mode" of "run flat tyres".	: NA	





V	215/65R16	102	-	X	A	B	C	D	E	025624	020415 S2WRZ	-
V	215/65R16	102	-	X	A	B	C	D	E	025624	020415 S2WRZ	-

SRII DESIGN (TREAD PATTERN) : MultiAction PT565
 SRII (TREAD) :
 1 POLYESTER + 2 STEEL + 1 NYLON
 YAKA (SIDEWALL) :

RESA NO (DRAWING NO.) PKT-13455
 TARIH (DATE) 17.02.2021
 KONTROL (CHECKED) B. D. f.

IGTT a.s.
 homopneumatic
 Sternberska 416, Louky
 763 02 Zlín, Czech Republic
 IČ/D: 46900980 DIČ/VAT: CZ46900980






TYPE APPROVAL TEST REPORT

REPORT NO: D021-0396

TYRE SPECIFICATION

Manufacturer Name	: PETLAS TIRE INDUSTRY AND TRADE CO	Speed Category Symbol	: V
Manufacturer Address	: KINDAM MAH.ANKARA KAYSERI CAD. NO 2/1 KIRSEHIR / TURKEY	Reinforced/Normal	: REINFORCED
Brand	: PETLAS	Category of Use	: SNOW
Pattern Name	: MULTI ACTION PT565	TT/TL	: TL
Product Code	: 22110	Date of Manufacture	: 0621
Size Designation	: 215/65 R16	Barcode Number	: 66030785
Load Capacity Index	: 102	Approval Number	: E8 025624

TEST AND EQUIPMENT SPECIFICATION

Test Tyre Receiving Date	: 9.2.2021
Test Date	: 15.2.2021
Reference Regulation	: UN Regulation No. 30
Petlas Test Code	: 5000
The Tests Conducted	: 1 - Marking Control <input checked="" type="checkbox"/> 2 - Dimensions Measurement <input checked="" type="checkbox"/> 3 - Load/Speed <input checked="" type="checkbox"/>
Test Machine Name (Drum Diameter)	: ASM-1 (1.707 m)
Pressure Gauge Calibration No	: 2049075
Caliper Calibration No	: 2047459
Tape Measure Calibration No	: 2047455
Test Rim	: 6.5JX16 T-1
Test Technician	: A.G.

CUSTOMER INFORMATION

Name	: Same as Manufacturer
Address	: Same as Manufacturer

TYRE VISUAL INSPECTION RESULT BEFORE TEST

Tyre was inspected and any evidence of failure was not detected.

Controlled by:

AYHAN UMUCU
Tyre Test Engineer
16.02.2021



Approved by:

EKREM TURNA
Tyre Testing Laboratory Team Leader
17.02.2021

Page 1 of 2

Petlas Secret Technical Information. The document contains classified information. It must be kept only by Petlas and stored in a safe place. The test results are the property of Petlas and must not be reproduced other than in full except with the permission of Petlas.

IGTT a.s.
homologace pneumatik
Šternberská 446, Louky
763 02 Zlín, Czech Republic
IČ/ID: 46900030 DIČ/VAT: CZ46900080

FORM NUMBER: 317-F-046-00





TYPE APPROVAL TEST REPORT

REPORT NO: D021-0396

TEST 1 - MARKING CONTROL

Trade name or Mark	YES <input checked="" type="checkbox"/>	NO <input type="checkbox"/>	N/A <input type="checkbox"/>
Commercial/Pattern Name Marking	YES <input checked="" type="checkbox"/>	NO <input type="checkbox"/>	N/A <input type="checkbox"/>
Tyre Size Designation Marking	YES <input checked="" type="checkbox"/>	NO <input type="checkbox"/>	N/A <input type="checkbox"/>
Tyre Structure Marking	YES <input checked="" type="checkbox"/>	NO <input type="checkbox"/>	N/A <input type="checkbox"/>
Speed Category Symbol Marking	YES <input checked="" type="checkbox"/>	NO <input type="checkbox"/>	N/A <input type="checkbox"/>
Load Capacity Index Marking	YES <input checked="" type="checkbox"/>	NO <input type="checkbox"/>	N/A <input type="checkbox"/>
"Reinforced" or "Extra Load" marking in case of reinforced tyre	YES <input checked="" type="checkbox"/>	NO <input type="checkbox"/>	N/A <input type="checkbox"/>
"ZR" marking for excess of 300 km/h	YES <input type="checkbox"/>	NO <input type="checkbox"/>	N/A <input checked="" type="checkbox"/>
"M+S" marking in case of "Snow" or "Special Use" tyre	YES <input checked="" type="checkbox"/>	NO <input type="checkbox"/>	N/A <input type="checkbox"/>
"PDR" or "ET" marking in case of Special Use Tyre	YES <input type="checkbox"/>	NO <input type="checkbox"/>	N/A <input checked="" type="checkbox"/>
"TUBELESS" marking in case of without inner tube use	YES <input checked="" type="checkbox"/>	NO <input type="checkbox"/>	N/A <input type="checkbox"/>
Runflat Markings (small symbol and F before rim diameter)	YES <input type="checkbox"/>	NO <input type="checkbox"/>	N/A <input checked="" type="checkbox"/>
Date of Manufacture	YES <input checked="" type="checkbox"/>	NO <input type="checkbox"/>	N/A <input type="checkbox"/>
Approval Number Marking	YES <input checked="" type="checkbox"/>	NO <input type="checkbox"/>	N/A <input type="checkbox"/>

RESULT : The tyre markings are fulfill the reference regulation requirements.

TEST 2 - DIMENSIONS MEASUREMENT

Conditioning : 24 hours at 25 ± 5 °C
 Inflation Pressure (kPa) : 220
 Overall Width Measurements (mm) : 220,6 / 220,4 / 220,2 / 221,1 / 220,7 / 220,6
 TWI (Tread Wear Indicator) (mm) : 2,0 / 1,9 / 2,1 / 2,0 / 2,1 / 1,9
 Maximum Circumference (mm) : 2174

PARAMETERS	LIMIT VALUES (mm)	MEASURED VALUES (mm)
Nominal Overall Width-S	221,0	221,1
Maximum Overall Width-Smax	230,0	
Nominal Outer Diameter-D	686,0	
Minimum Outer Diameter-Dmin	678,0	692,0
Maximum Outer Diameter-Dmax	705,0	
Minimum TWI	1,6	1,9
Maximum TWI	2,2	2,1

RESULT : The dimensions are fulfill the reference regulation requirements.

TEST 3 - LOAD / SPEED TEST

Conditioning : 3 hours at 25 ± 5 °C
 Inflation Pressure (kPa) : 340

Test Procedure

Date/Time	Test Step No	Duration (min.)	Test Load (kg)	Test Speed (km/h)	Control
15.2.2021 14:23	0	0	0	0	A.G.
	1	10	619	0-200	
	2	10	619	200	
	3	10	619	210	
	4	10	619	220	
15.2.2021 15:23	5	20	619	230	A.G.

RESULT : Tyre completed the load/speed test without any failure.

FINAL RESULT: THE TYRE PASSED ALL TESTS ACCORDING TO THE REFERENCE REGULATION



Controlled by;

AYHAN UMUCU
Tyre Test Engineer
16.02.2021



Approved by;

EKREM TURNA
Tyre Testing Laboratory Team Leader
17.02.2021