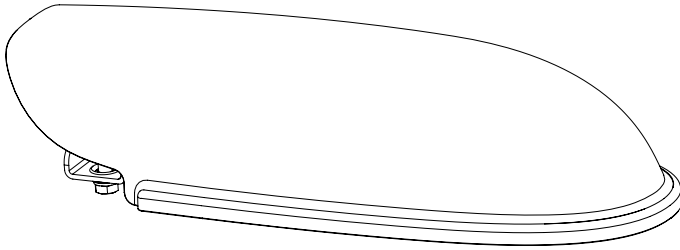


Schröder

VOLTANA 0

Installation instructions

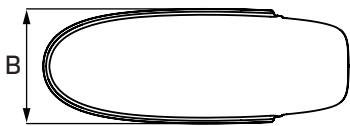
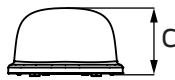
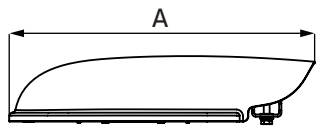
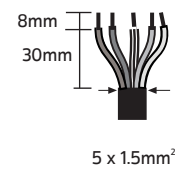
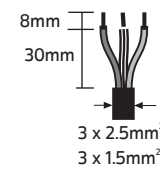
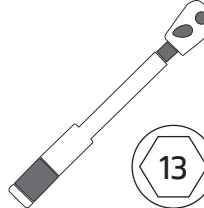
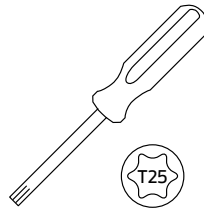
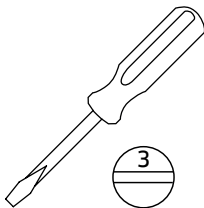


350-1250mA
8-38W

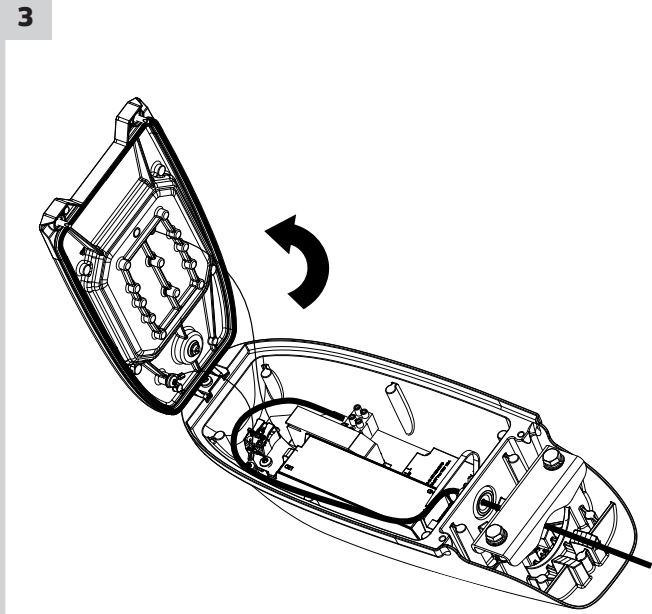
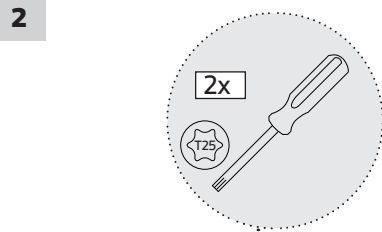
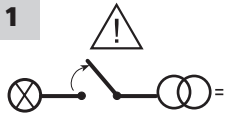
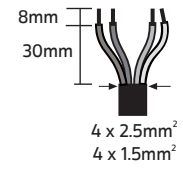
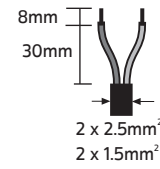
220-240V
50/60Hz

IP
66

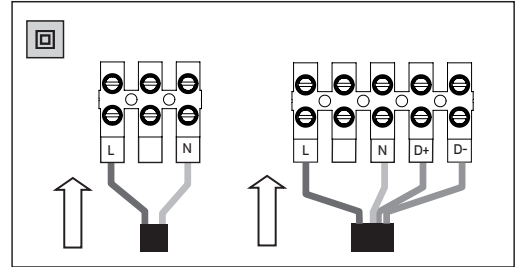
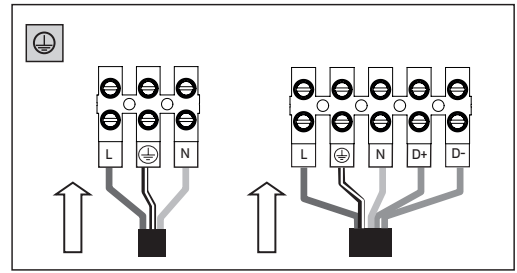
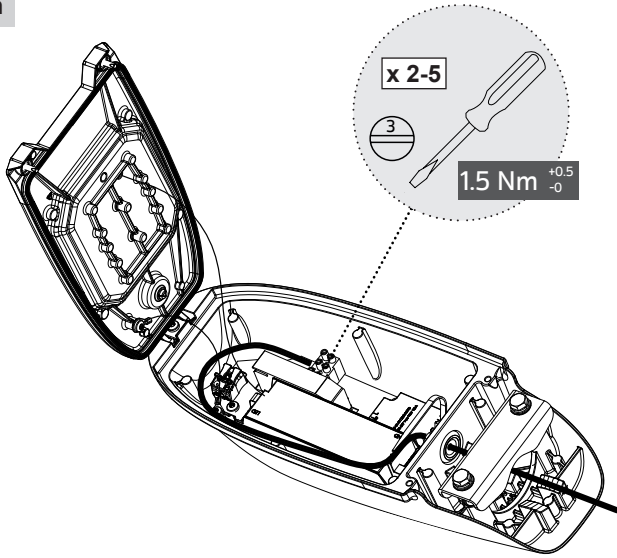
IK
08



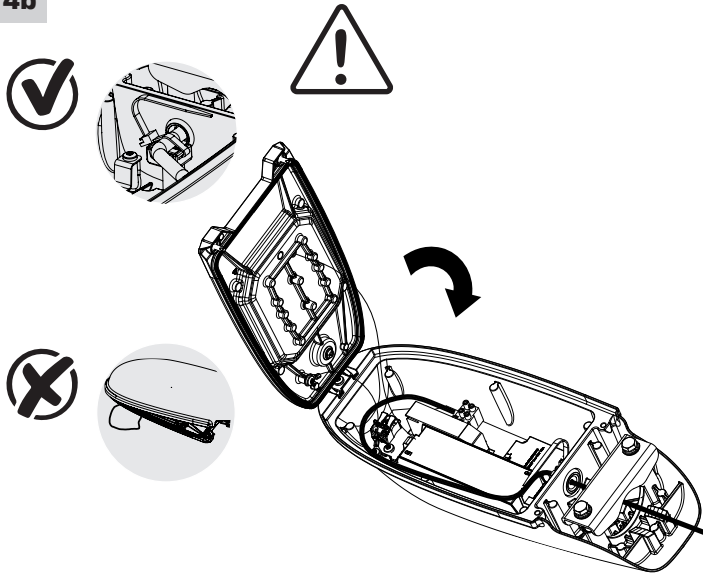
Voltana0	
A	416mm
B	156mm
C	91mm
	2.6kg
CxS	0.012m ²



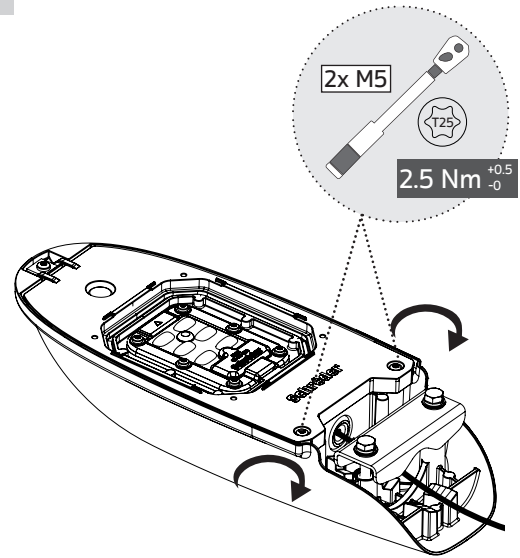
4a



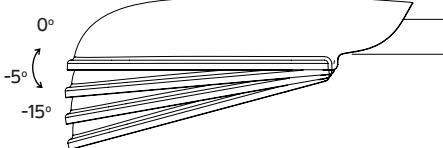
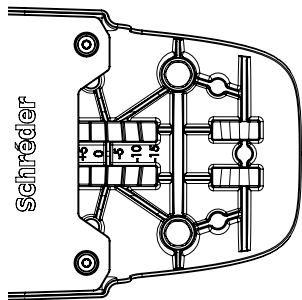
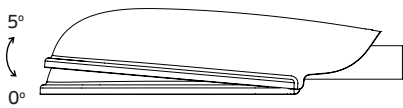
4b



4c



5



- 2x M8 x 70
- 2x M8 x 45

	Ø42	Ø48	Ø60
-10°			
-5°	M8 x 45		M8 x 70
0°			
+5°			

