

# CE Declaration Of Conformity

**NAME OF THE EQUIPMENT:** OXYLIFE I 90

**MANUFACTURING YEAR:**

**EXECUTED ACCORDING TO:** EU Directive 2014/35 and 2014/30 of the European Parliament and the Council from 26th February 2014, which concerns the harmonization of the laws of the Member States relating to electromagnetic compatibility  
**LABORATORY TESTS:** Test report no. 125/22.05.2015 according to SR EN 55011:2010+A1:2011, SR EN60601-1-2:2007 and no. 256/07.09.2015 according to SR EN 60601-1:2007+A1:2014+A1/AC:2014+A12:2015+AC:2015

**AT DESIGN AND EXECUTION THE FOLLOWING STANDARDS HAVE BEEN IMPLEMENTED:**

SR-EN ISO 3834-2:2006, SR EN 13445-4:2009, SR EN 13445-5:2009, SR EN 10025-1:2005, SR EN 10025-2:2004/AD.2005, SR EN 485-1+A1/2010, SR EN 485-2/2009, SR EN 485-4/1995, SR EN 573-32009, SR EN 754-2/2009, SR EN 754-3/2008, SR EN 10269:2002/A1-2006/A-2009, SR EN ISO 18273-2004, SR EN ISO 3452/1-2013, SR EN ISO 17637/20010, SR EN ISO 23277/2010, SR EN 10204:2005, SR EN ISO 17635-2010, SR EN 22768-1:1995, SR EN 22768-2:1995, SR ISO 965-2/2011, STAS 11111-86

## Characteristics:

**VOLTAGE:** 230 V  
**FREQUENCY:** 50 Hz  
**POWER INPUT:** maximum 1265 VA  
**PROTECTION CLASS:** I

## Characteristics Control Panel OXYLIFE I 90

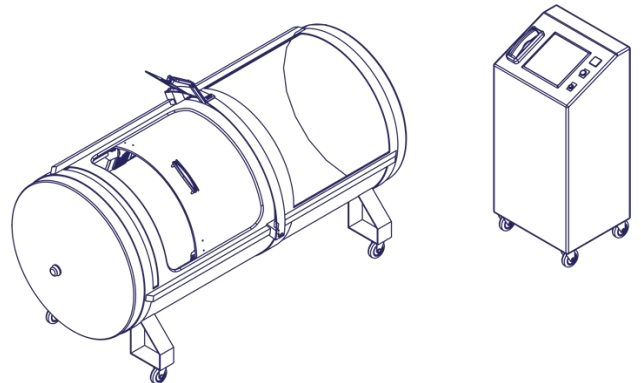
**MAXIMUM OPERATIONAL PRESSURE:** 50 kPa  
**LEVEL OF PROTECTION:** IP43  
**WEIGHT:** 90 kg  
**DIMENSIONS:** (1160 ± 5) x (550 ± 5) x (470 ± 5) mm

## Characteristics Chamber OXYLIFE I 90

**INTERNAL VOLUME:** 1450 l  
**MAXIMUM OPERATIONAL PRESSURE:** 50 kPa  
**LEVEL OF PROTECTION:** IP44  
**WEIGHT:** 150 kg  
**DIMENSIONS:** Ø = (900 ± 5) mm; L= (2300 ± 5) mm  
**MATERIAL:** aluminum alloy  
**USE:** Relaxation - **THIS IS A COMMERCIAL NON MEDICAL DEVICE**

**SERIES:**

/ PC / 25102011  
/ CH / 25102011



**By this, we assure, guarantee and declare that our product is compliant with electrical regulations, and it is also compliant with the rules governing safety and environmental protection.**

**Manufacturer:**

OXYHELP INDUSTRY S.R.L

**Date:**