

2.2 Operation panel

The function of each button found on the operation panel is explained. The buttons on the rear operation panel located on the back surface of the equipment perform the identical functions.

Their functions are explained as per the standard arrangement.

Arrangement of buttons ① to ⑧ can be changed by installing.

A function of the button ⑨ can be selected.

Should the arrangement be changed, read the explanation with respect to that new arrangement.

To change the arrangement, please contact your Shimadzu service representative.

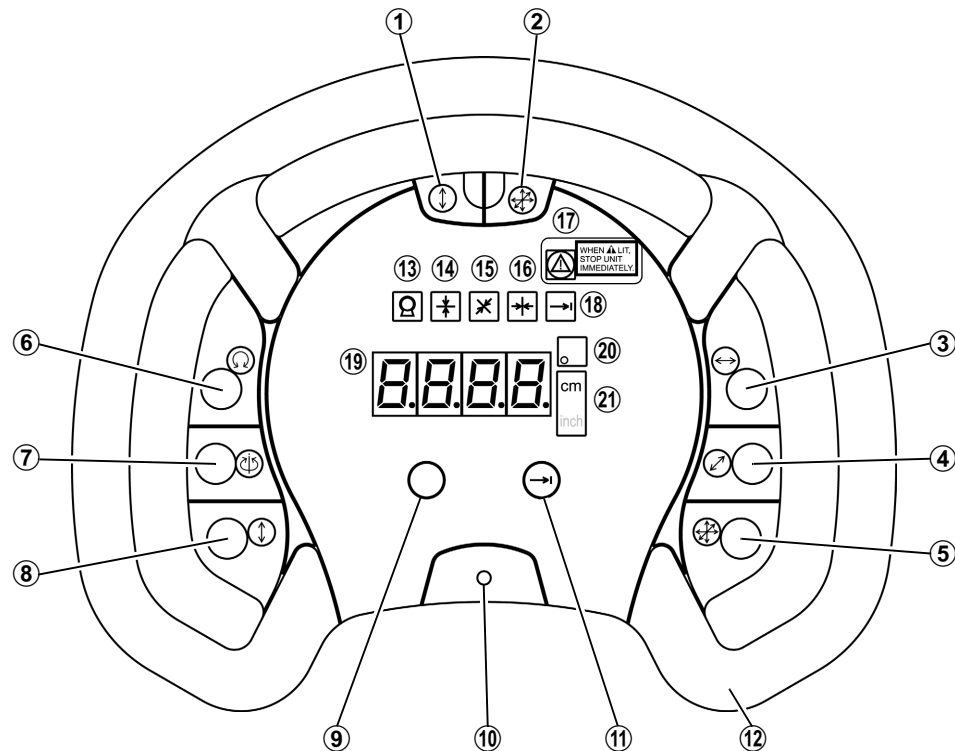


Figure 2.3 Operation panel

①  **[Vertical release] button**

This button releases the lock when moving the X-ray tube assembly vertically.

②  **[3-directional release] button**

This button simultaneously releases the locks for the vertical, longitudinal and transversal directions.

③  **[Longitudinal release] button**

This button is to release the lock when moving the X-ray tube assembly longitudinally.

④  **[Transversal release] button**

This button is to release the lock when moving the X-ray tube assembly transversally.

⑤  **[3-directional release] button**

This button performs the same function as ②.

⑥  **[H-axis rotation release] button**

This button is to release the lock when rotating the X-ray tube assembly around the horizontal axis.

⑦ [V-axis rotation release] button

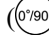
This button is to release the lock when rotating the X-ray tube assembly around the vertical axis.

⑧ [Vertical release] button

This button performs the same function as ①.

⑨ Spare button

This is a spare button that can be allocated any one of the following functions upon installation:

- Switching the direction of 0° for rotation around the horizontal axis ()
- Turning the light in the examination room ON/OFF
- Turning the vertical tracking function (option) ON/OFF

⑩ [Collimator lamp] button

This button is to turn on the collimator lamp.

⑪ [Detent] button

This button is to turn ON/OFF the preset position stop mode.

The upward retraction function (option) can also be allocated upon installation.

⑫ Grip

Hold this part to move or rotate the X-ray tube assembly.

⑬ X-ray tube selection indicator

Lights up when this device's X-ray tube is selected.

⑭ Vertical position indicator

Lights up when the X-ray tube assembly reaches the vertical setting position.

⑮ Transversal detent position indicator

Lights up when the X-ray tube assembly reaches the transversal detent position.

⑯ Longitudinal detent position indicator

Lights up when the X-ray tube assembly reaches the longitudinal detent position.

⑰ Wire rope cut warning indicator and Warning label

Lights up in the event the wire rope inside the X-ray tube assembly support section is severed.

When the indicator lights, according to the warning label, forbid the use of equipment.

⑱ Detent mode indicator

Lights up when the detent mode is ON.

⑲ Digital indicator

Shows the rotation angle at which the X-ray tube assembly is rotated around the horizontal axis.

When combined with SID detector (option), moving the X-ray tube assembly across to SID, the indicator shows the SID.

When error occurs, error code will be shown.

20 Angle unit indicator

"°" as rotation angle unit is indicated when the X-ray tube assembly is rotated around the horizontal axis.


21 cm/inch unit indicator (option)

When combined with SID detector (option), moving the X-ray tube assembly across to SID, either cm or inch unit for SID is indicated.

As the optional setting, buttons to release the lock of movement of X-ray tube assembly simultaneously in two directions can be assigned by installing.

●  **[Vertical /longitudinal release] button**

This button is to release the lock of vertical movement and longitudinal movement at the same time.

●  **[Vertical /transversal release] button**

This button is to release the lock of vertical movement and transversal movement at the same time.

●  **[Longitudinal/transversal release] button**

This button is to release the lock of longitudinal movement and transversal movement at the same time.

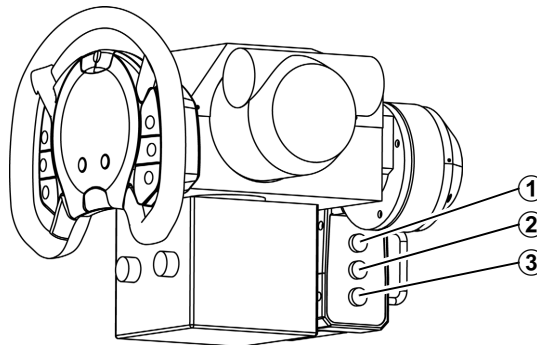
■ Rear Operation Panel

Figure 2.4 Rear operation panel

①  **[V-axis rotation release] button**

This button is to release the lock when rotating the X-ray tube assembly around the vertical axis.

②  **[Collimator lamp] button**

This button is to turn on the collimator lamp.

③  **[3-directional release] button**

This button simultaneously releases the locks for the vertical, longitudinal and transversal directions.