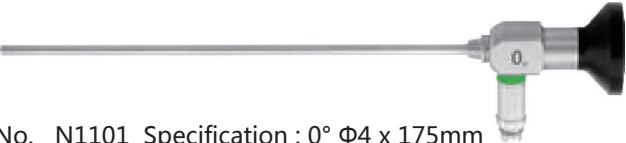
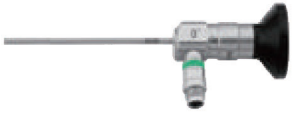




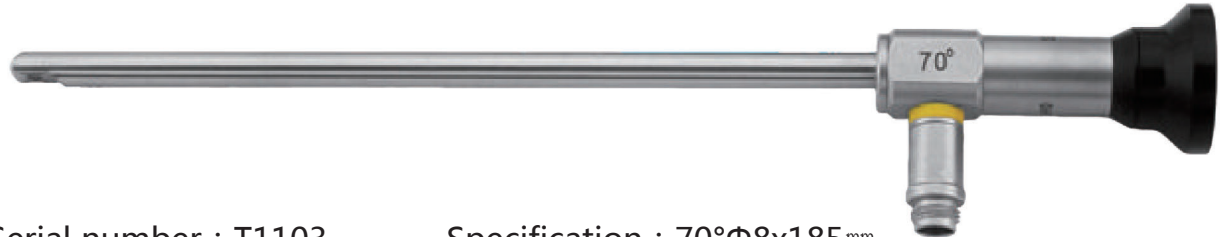








DELON ENT

SINUSCOPE	OTOSCOPE
 <p>No. N1101 Specification : 0° Φ4 x 175mm N1101.1 Specification : 0° Φ2.7 x 175mm</p>	 <p>No. E1101 Specification : 0° Φ2.7 x 110mm Color,Green</p>
 <p>No. N1102 Specification : 30° Φ4 x 175mm N1102.1 Specification : 30° Φ2.7 x 175mm</p>	 <p>No : E1102 Specification : 30° Φ2.7x110mm Color: Red</p>
 <p>No. N1103 Specification : 70° Φ4 x 175mm N1103.1 Specification : 70° Φ2.7 x 175mm</p>	 <p>No : E1103 Specification : 70° Φ2.7x110mm Color: Yellow</p>
LARYNGOSCOPE	
 <p>Serial number : T1103 Specification : 70°Φ8x185mm</p>	
 <p>Serial number : T1104 Specification : 90°Φ6x179mm</p>	

GERMANY HD LAPAROSCOPE

		
Caliber	10 mm	10 mm
Working length	approx. 330 mm	approx. 330 mm
Viewing direction	0°	30°
Item No.	7196201045	7196201045

GERMANY HD SINUSCOPE

			
Caliber	4 mm	4 mm	4 mm
Working length	approx. 185 mm	approx. 185 mm	approx. 185 mm
Viewing direction	0°	30°	70°
Item No.	7197200345	7197200345	7197200345



GERMANY HD CYSTOSCOPE

				
Caliber	4 mm	4 mm	4 mm	4 mm
Working length	approx. 300 mm	approx. 300 mm	approx. 300 mm	approx. 300 mm
Viewing direction	0°	12°	30°	70°
Item No.	8300009024	8300009024	8300009024	8300009024

GERMANY HD LARYNGOSCOPE

		
Caliber	8 mm	8 mm
Working length	approx. 186 mm	approx. 186 mm
Viewing direction	70°	90°
Item No.	8300000035	8300000035

DELON LAPAROSCOPE

		
Caliber	10 mm	10 mm
Working length	approx. 330 mm	approx. 330 mm
Viewing direction	0°	30°
Item No.	L1101	L1102