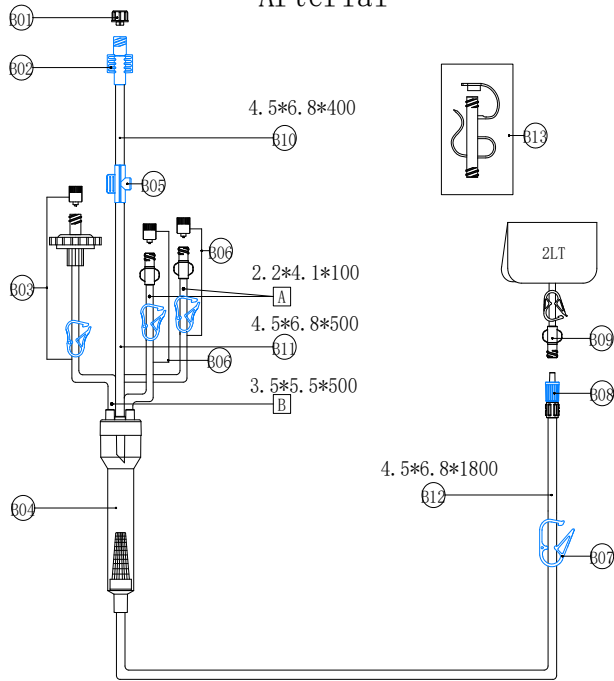


Arterial



Venous

Arterial Tubing(red)			
No.	Components	Qty	Mark
A01	Cap for Dialyzer Connector	1	
A02	Dialyzer Connector(red)	1	
A03	Cap for Female Luer Lock	2	A
	Female Luer Lock φ4.1		
	Clamp(red small)		
	Branch Tubing:2.2*4.1*100mm		
A04	Drip Chamber(OD:φ26-30mm,L:83mm)	1	
	Cover for Drip Chamber		
	Dropper		
A05	Pump Segment Connector φ4.1	1	D
	Pump Segment Connector φ5.5		
	Pump Segment:8*12*350mm		
A06	Clamp(red small)	1	C
	Female Luer Lock φ2.5		
	Cap for Female Luer Lock		
	Branch Tubing:2.2*4.1*50mm		
	Heparin Line:1.0*2.5*600mm		
A07	Cap for Female Luer Lock	1	E
	Transducer Protector		
	Clamp(red small)		
	Branch Tubing:3.5*5.5*500mm		
A08	Access Port φ4.1(red)	1	
A09	Clamp(red big)	1	
A10	Patient Connector(red)	1	
A11	Suspended Spike	1	
A12	Main Tubing:4.5*6.8*750mm	1	
A13	Main Tubing:4.5*6.8*600mm	1	
A14	Main Tubing:4.5*6.8*200mm	1	
A15	Main Tubing:4.5*6.8*1600mm	1	
Venous Tubing(blue)			
No.	Components	Qty	Mark
B01	Cap for Dialyzer Connector	1	
B02	Dialyzer Connector(blue)	1	
B03	Cap for Female Luer Lock	1	B
	Transducer Protector		
	Clamp (blue small)		
	Branch Tubing:3.5*5.5*500mm		
B04	Drip Chamber(OD:φ21.5-30mm,L:130mm)	1	
	Cover for Drip Chamber		
	Filter		
B05	Access Port(blue)	1	
B06	Cap for Female Luer Lock	2	A
	Female Luer Lock φ4.1		
	Clamp (blue small)		
	Branch Tubing:2.2*4.1*100mm		
B07	Clamp(blue big)	1	
B08	Patient Connector(blue)	1	
B09	Drainage Bag	1	
B10	Main Tubing:4.5*6.8*400mm	1	
B11	Main Tubing:4.5*6.8*500mm	1	
B12	Main Tubing:4.5*6.8*1800mm	1	
B13	Recirculating Connector	1	

VITAL HEALTHCARE SDN.BHD

Prepared by :

Reviewed by :

Description:

Name

Date

Tubing Sets for Hemodialysis

Approved by QA:

Name

Date

Internal ID:

Fresenius 2008 series / 4008 series,B.Braun Dialog+

BLU006G

Rev Remarks Version No. Date Name

Blood pathway volume: (165±10%)mL

CARTON SIZE

530*381*249mm

QTY/CTN(sets)

24

Sterilization

R

DEHP