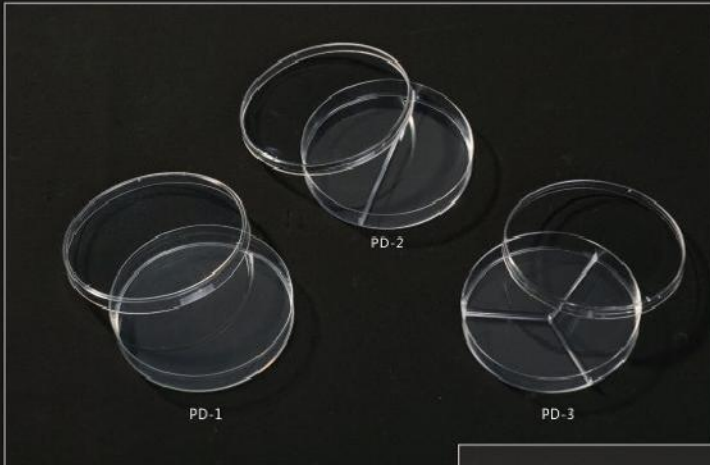


PETRI DISH SERIES



ZHEJIANG RENON MEDICAL INSTRUMENTS CO. LTD



-Petri Dish, GPPS Material

CAT NO.	DESCRIPTION	QTY/PK
PD-1	Petri Dish, Φ90mm, 1 room	10
PD-2	Petri Dish, Φ90mm, 2 room	10
PD-3	Petri Dish, Φ90mm, 3 room	10
PD-4	Petri Dish, Φ35mm	10
PD-5	Petri Dish, Φ60mm	10
PD-6	Petri Dish, Φ100mm	10
PD-7	Petri Dish, Φ150mm	5
PD-8	Square Dish, 90X90mm, With Counting	10
PD-9	Square Petri Dish, 100X100mm	10



-1117, Petri Dish, Neutral Glass

DIMENSION	QTY/PK
Φ60mmX15mm	10pcs/box
Φ75mmX15mm	10pcs/box
Φ80mmX15mm	10pcs/box
Φ90mmX15mm	10pcs/box
Φ100mmX15mm	10pcs/box
Φ100mmX20mm	10pcs/box
Φ120mmX25mm	10pcs/box
Φ150mmX20mm	10pcs/box
Φ150mmX30mm	10pcs/box

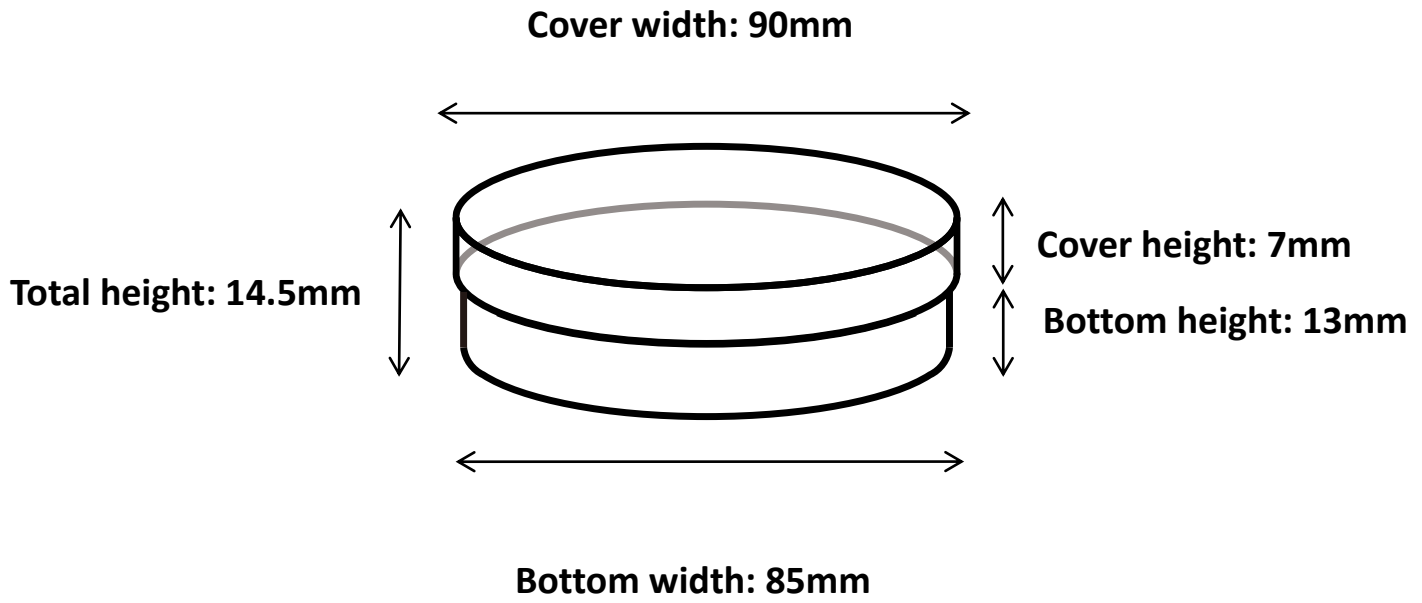
-1117, Petri Dish, Borosilcate Glass

DIMENSION	QTY/PK
Φ60mmX15mm	10pcs/box
Φ75mmX15mm	10pcs/box
Φ80mmX15mm	10pcs/box
Φ90mmX15mm	10pcs/box
Φ90mmX18mm	10pcs/box
Φ100mmX15mm	10pcs/box
Φ100mmX20mm	10pcs/box
Φ120mmX25mm	10pcs/box
Φ150mmX20mm	10pcs/box
Φ150mmX30mm	10pcs/box



Technical data sheet

PD-1 - Petri dish, Ø 90mm, 1 room



Measurement error: $\pm 1\text{mm}$

Item	90x14.5mm Petri dish
Material	Polystyrene (PS)
Pack	10pcs/bag 50bag/ctn
Cover weight	6g
Cover weight	6g
Color	Transparent
Sterility	EO sterile
Autoclavability	NO
Usage	Used in molecular biology, clinical chemistry, biochemistry research
Advantage	Transparent material which makes it easy to observe