

A collection of knee joint components for the LEGION Total Knee System. The image shows several femoral (upper) and tibial (lower) parts, including metal shells and polyethylene inserts, arranged on a white stand. The components are shown in various orientations, highlighting their design and articulation. The background is white with vertical stripes in orange, grey, light green, and light blue on the left side.

Total System Specification Guide and Product Catalog

*Product availability may vary by country or territory

Overview of the LEGION[◇] Total Knee System

LEGION

Total Knee System

GENESIS[◇] II

CR and PS Knees

LEGION CR

Cruciate Retaining Knees

LEGION PS

Posterior Stabilized Knees

LEGION RK

Revision Knees

LEGION HK

Hinge Knees

Identical trochlear groove geometry preserved throughout all LEGION knees

Consistent femoral A/P box resections (HK = RK with 10mm posterior wedge resections)

Seamless system, multiple options

GENESIS II knees feature built-in external rotation through a thinner medial posterior condyle.

LEGION knees feature symmetric posterior condyles (equal thickness).

The RK segment of the LEGION TKS is indicated not only for revisions, but also for complex primaries when stems, augments and/or offsets are needed.

LEGION "HK" utilizes the same instruments, stems and offset couplers as the revision system, allowing for the management of gross instability.

Table of Contents

System Specification Guide

Femoral Component Dimensions.....	8
Tibial Baseplate Dimensions.....	9
Patellar Dimensions.....	10
GENESIS® II Stems.....	11
Sawblade/Tibial Stylus Thickness.....	12
Average Slope for Articular Inserts.....	13
LEGION® Stems.....	14
Femoral Stem Configuration.....	15
Femoral Stem Configuration with Coupler.....	16
Tibial Stem Configurations (including Coupler) ...	17
LEGION RK Primer.....	18
LEGION Implant Compatibility Guide.....	21
LEGION CR and PS Femorals.....	25
Primary Loaner Kits.....	26
LEGION (RK) Loaner Kits.....	27
Literature.....	28

System Specification Guide: LEGION HK

Femoral Component Dimensions.....	30
Tibial baseplate dimensions.....	31

LEGION HK Implant Component Assembly.....	32
Femoral Stem Configuration.....	33
Femoral Stem Configuration With Coupler.....	34
Tibial Stem Configurations (Including Coupler)....	35
LEGION HK Primer.....	36
LEGION HK Loaner Kits.....	37

Product Catalog

Femoral Implants.....	40
Inserts.....	42
Patellas.....	45
Femoral Wedges.....	45
Tibial Baseplates.....	48
Tibial Wedges.....	49
Stems.....	50
Cement And Sawblades.....	52

Product Catalog: LEGION HK

Implants.....	56
Wedges.....	57

Instrumentation Reference Guide

GENESIS II Instrumentation.....	60
LEGION CR and PS trays	
7144-1260 DCF Femoral Instrument.....	74
7144-1259 DCF Cutting Blocks and Ream-Through Femoral Trials.....	76
7143-4140 PS Ream-Through Femoral instruments.....	78
7144-3101 Femoral Misc Instrument.....	80
7144-3102 Tibial Misc Instrument.....	82
7144-3112 Tibial Instrument (Upper).....	84
7144-3112 Tibial Instrument (Lower).....	86
7144-3113 Cr Tibial Insert Trial.....	88
7144-3111 Ps Tibial Insert Trial.....	90
7144-3103 Universal Patellar Instruments.....	92
LEGION RK trays	
7143-4121 Reamers (Upper).....	94
7143-4122 120 And 160Mm Stem Trials (Lower).....	96
7143-4127 Tibial Instruments (Upper).....	98
7143-4128 Tibial Drill Guides (Lower).....	100
7143-4129 Tibial Base Trials (Upper).....	102

continued on next page

Instrumentation Reference Guide *continued*

LEGION® RK Trays *continued*

7143-4131	Constrained Tibial Trial Inserts (Lower)	104
7143-4132	Tibial Wedge Trials	106
7143-4125	Femoral A/P Sizer (Upper).....	108
7143-4126	Femoral Instruments (Lower)	110
7143-4123	Femoral Trials, Sizes 3-8 (Upper) ..	112
7143-4124	Femoral Wedge Trials, Sizes 3-8 (Lower).....	114
7143-4133	Misc Instruments (Upper)	116
7143-4134	220Mm Stem Trials (Lower).....	118

Instrumentation Reference Guide: Universal Instruments

LEGION Universal Trays – Overview	122
7144-0843 Universal Base Tray	123
7144-0844 Universal Alignment Tray	125
7144-0281 LEGION Impactor and Finishing Tray	127
7144-0287 LEGION Femoral Size 3-4 tray	129
7144-0283 LEGION Femoral Size 5-6 tray	130
7144-0285 LEGION Femoral Size 7-8 tray	131

7144-3132 LEGION Tibia Size 1-2 Tray	132
7143-0032 LEGION Tibia Size 3-4 Tray	133
7143-0033 LEGION Tibia Size 5-6 Tray	134
7143-0034 LEGION Tibia Size 7-8 Tray	135
7144-3131 LEGION Patella Prep Tray	136
7143-0031 LEGION Optional Insert Tray	138

Instrumentation Reference Guide: LEGION HK

7143-4521 Trials Tray Right	141
7143-4522 Trials Tray Left	143
7143-4523 Misc Instrument Tray.....	145
7144-1592 Size 7 Left Tray	147
7144-1591 Size 7 Right Tray.....	148

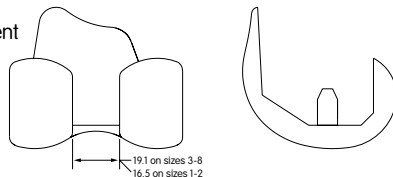
Femoral Component Dimensions

Size	M/L	A/P	C	D	E	F	G	A/P Box
2	58	50	50	12.3	9.5	17.1	24.4	34.3
3N	58	54	50	13.6	9.5	18	25.3	38.1
3	62	55	52	13.6	9.5	18.0	25.3	38.1
4N	62	58	52	14.8	9.5	19.6	26.2	41.7
4	66	59	55	14.8	9.5	19.6	26.2	41.7
5N	66	61	54	15.9	9.5	19.8	27	45
5	70	62	57	15.9	9.5	19.8	27.0	45.0
6N	70	65	56	17	9.5	20.6	28.6	48.3
6	73	66	59	17.0	9.5	20.6	28.6	48.3
7	77	70	61	18.6	11.5	20.2	31.1	50.3
8	80	75	62	19.8	11.5	20.6	32.7	54.9

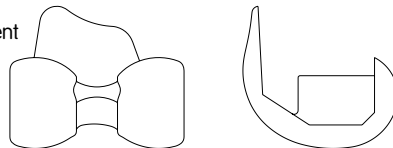
GENESIS[®] II as part of the LEGION Total Knee System

- LEGION PS box has an anterior wall. The GENESIS[®] II box is shorter in dimension F than the LEGION box by approximately 3.35mm (between 2.5 and 4.2mm).
- GENESIS II CR lugs are removable and can be used with LEGION CR, only on CoCr component.
- GENESIS II and LEGION femoral components share the majority of the same dimensions. LEGION components feature symmetric posterior condyles (equal thicknesses). The GENESIS II A/P dimensions are identical to the LEGION A/P dimensions because they are measured by the lateral posterior condyle.
- Asymmetric posterior condyles allow for external rotation to be integrated into the shape of the implant, offering an alternative to the conventional method of introducing rotation by adjusting the angle of the anterior resection.
- GENESIS II Revision is not represented here.

LEGION[®] CR
Femoral Component

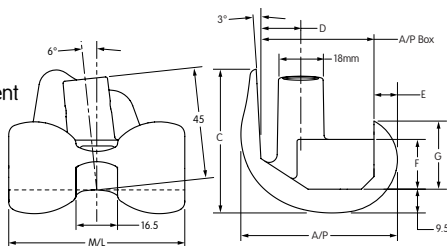


LEGION PS
Femoral Component



LEGION RK
Femoral Component

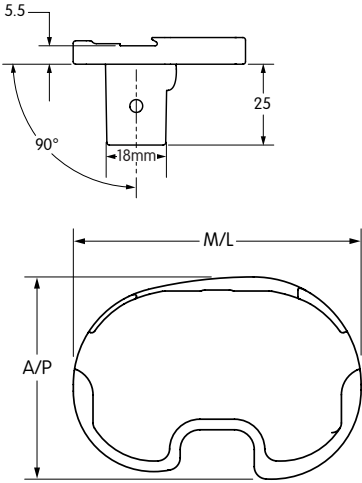
* Dimension G is slightly shorter for GENESIS II medial condyle



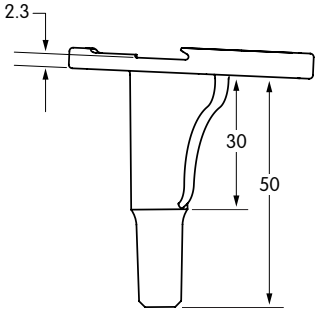
Tibial Baseplate Dimensions

Size	A/P	M/L
1	42	60
2	45	64
3	48	68
4	50	71
5	52	74
6	54	77
7	56	81
8	59	85

Cemented Baseplate - Female tapered



Cemented Baseplate - Male tapered

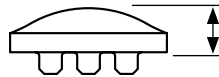


Note: 3° of baseplate slope plus approximately 4° of insert slope yields an effective 7° posterior slope with the final implant

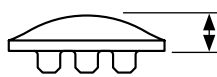
Patellar Dimensions



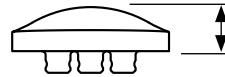
Biconvex



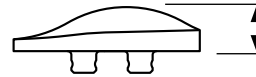
Resurfacing



7.5mm Resurfacing



Oval Patella



Oval Patella (90° rotated view to show anatomic flange)

	Thickness (mm)	Diameter				
Biconvex	13	23	26	29	32	
Resurfacing	9*		26	29	32	35
Resurfacing 7.5mm**	7.5		26	29	32	35

*13mm including peg height.

**12mm including peg height. The 7.5mm round resurfacing patella can be used with LEGION®, GENESIS® II and JOURNEY® II TKA systems.

Trials available through InVentures.

Oval Patella sizing options

Diameter (mm)	29	32	35	38	41
Thickness (mm)	8.5	9.0	9.0	9.5	10

GENESIS[◇] II Stems

These stems could be used with a male tapered baseplate during a complex primary case or for a revision case.

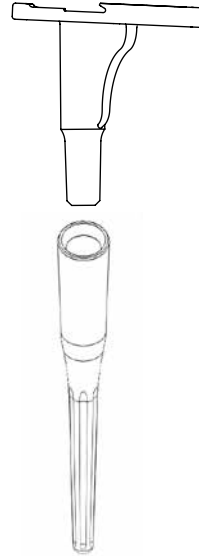
● Non-slotted stem

◐ Slotted stems

Note: fits JOURNEY[®] BCS tibial baseplate as well.

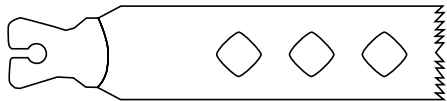
Note: the length of the stem is measured from the undersurface of the tibial baseplate.

Size	Length (mm)	
	100	150
10	●	◐
12	●	◐
14	●	◐
16	●	◐
18	●	
20	●	
22	●	
24	●	



Sawblade Thickness

Sawblade for standard blocks



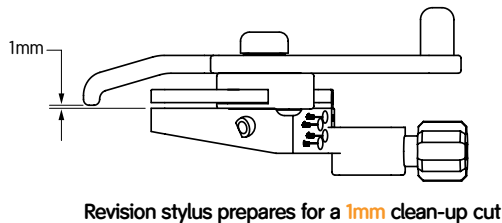
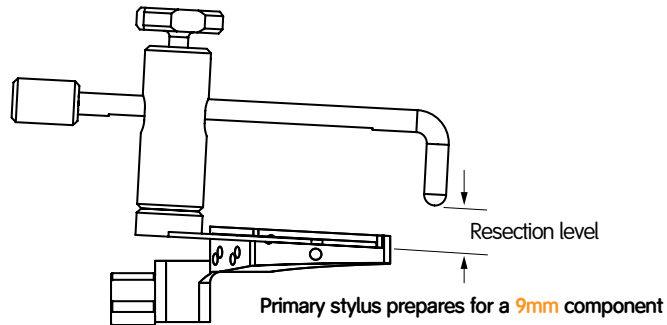
Cutting thickness and blade thickness should be 0.050" or 1.27mm

Sawblade for MIS blocks and LEGION® RK (revision) blocks



Cutting thickness and blade thickness should be 0.053" or 1.35mm

Tibial Stylus Thickness

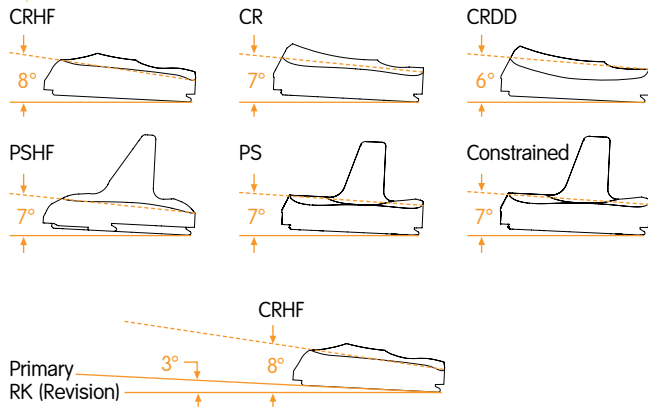


Average Slope for Articular Inserts

Design	Thickness (mm)									
	9	10	11	12	13	15	18			
Cruciate Retaining High Flex* (CRHF*)	9	10	11	12	13	15	18			
Cruciate Retaining* (CR*)	9		11		13	15	18			
Cruciate Retaining Deep Dished* (CRDD*)	9		11		13	15	18	21		
Posterior Stabilized High Flex* (PSHF*)	9	10	11	12	13	15	18	21	25	
Posterior Stabilized* (PS*)	9		11		13	15	18	21	25	
Posterior Stabilized Constrained (PSCon)	9		11		13	15	18	21	25	30
Cruciate Retaining All-Poly (CR All-Poly)	9		11		13	15				
Posterior Stabilized All-Poly (PS All-Poly)	9		11		13	15				

*XLPE available in certain thicknesses

GENESIS® II – Conventional polyethylene (Sizes 1-8)



Note: The composite posterior slope is defined by the bone resection plus the insert slope. The primary baseplate bone resection is made at 3° posterior slope relative to its taper, whereas the revision (RK) baseplate bone resection is made with no posterior slope relative to its taper.

LEGION[◇] Stems

Anatomical precision is achieved through a broad selection of stems that are fully interchangeable and can be used on either the femoral or tibial component.

Cemented Stems (120mm and 160mm)

- 2mm increments in 10-20mm diameters
- Non-slotted
- CoCr material

Press-fit Stems (120mm, 160mm and 220mm straight, 220mm and 280mm bowed)

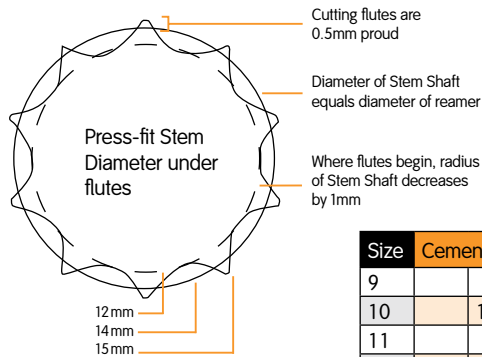
- 1mm increment in 9-16mm diameters
- 2mm increments in 16-24mm diameters
- 120mm Stems are non-slotted
- 160, 220 and 280mm stems are slotted
- Titanium material

Short Stem extension (80mm)

- 12mm diameter

Stem Reaming

- Cemented Stems – surgeon chooses undersized stem to allow cement mantle
- Cementless Stems – line-to-line



Press-fit Stem: Example Dimensions (size 14mm Stem)

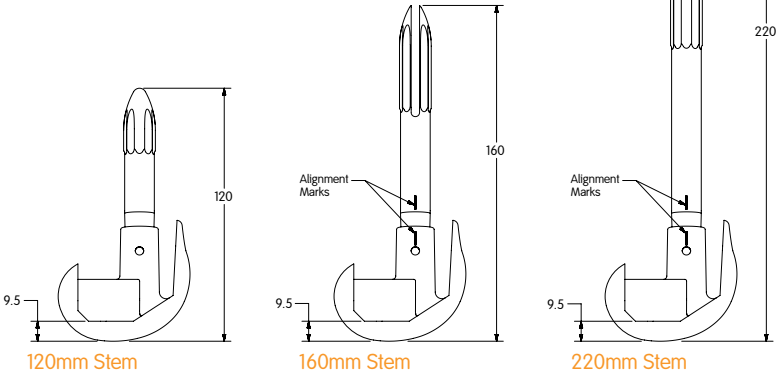
Diameter of largest reamer..... 14mm
 Diameter of unfluted region of Stem Shaft 14mm
 Stem Shaft diameter where flutes begin 12mm
 Diameter of cutting flutes 15mm

Size	Cemented (mm)			Press-fit Straight (mm)			Press-fit Bowed* (mm)	
9				120	160			
10		120	160	120	160	220	220	280
11				120	160	220	220	280
12	80	120	160	120	160	220	220	280
13				120	160	220	220	280
14		120	160	120	160	220	220	280
15				120	160	220	220	280
16		120	160	120	160	220	220	280
18		120	160	120	160	220	220	280
20		120	160	120	160	220	220	280
22				120	160	220	220	280
24				120	160	220	220	280

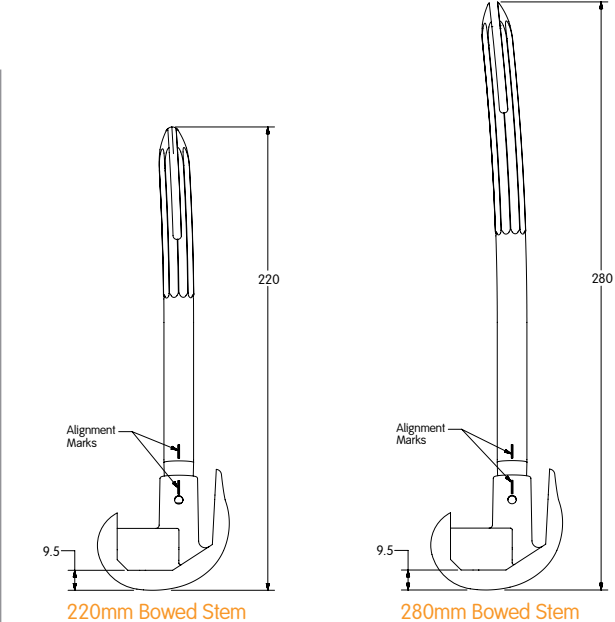
* Non-standard, limited availability. (Check country or territory availability)

Femoral Stem Configuration

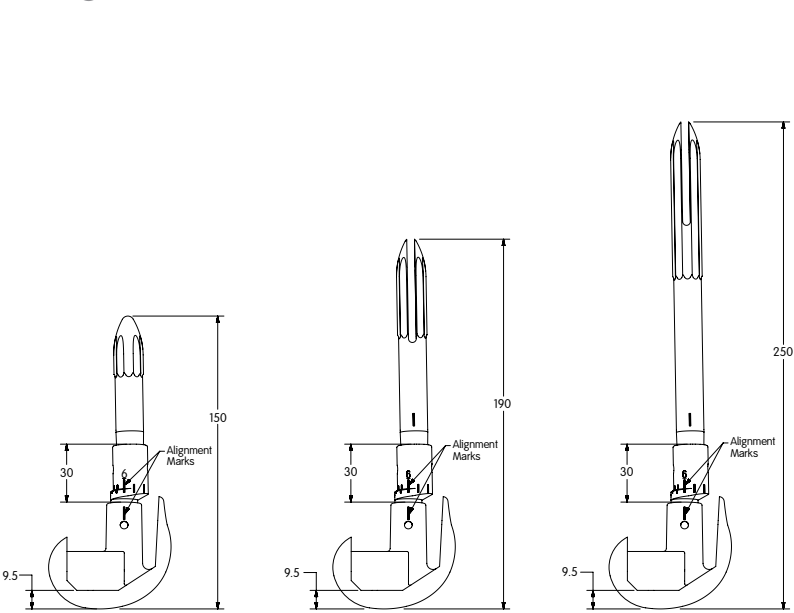
Note: Alignment marks can be used to aid in stem slot orientation in the sagittal plane (tibia) and coronal plane (femur) as shown here if preferred. They are also used to dial in and reference the offset coupler rotation with respect to the femoral and tibial trials. For example, the offset coupler is in the "6 o'clock" position in both the femoral and tibial configurations in this section.



Bowed Stem Configuration



Straight Stem with Coupler

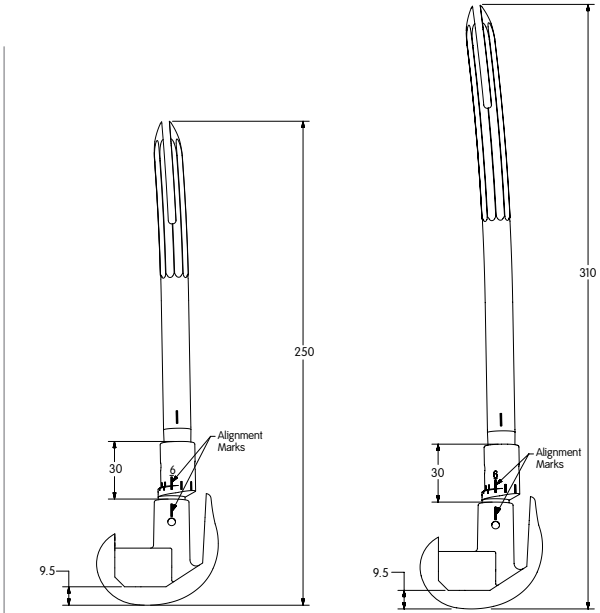


120mm Stem

160mm Stem

220mm Stem

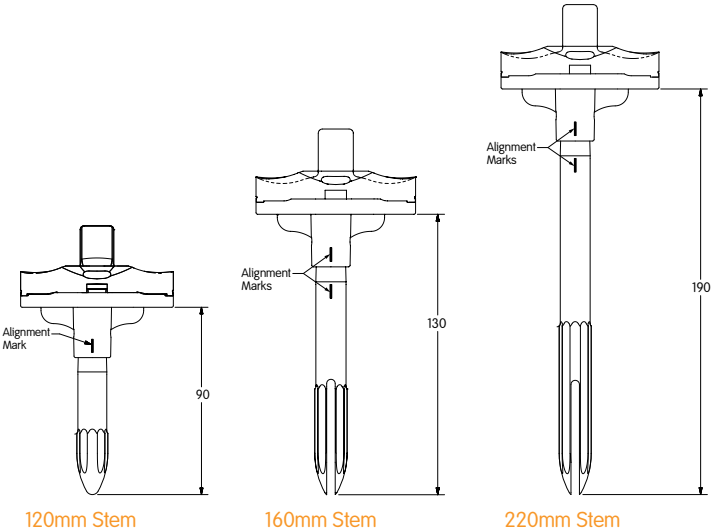
Bowed Stem with Coupler



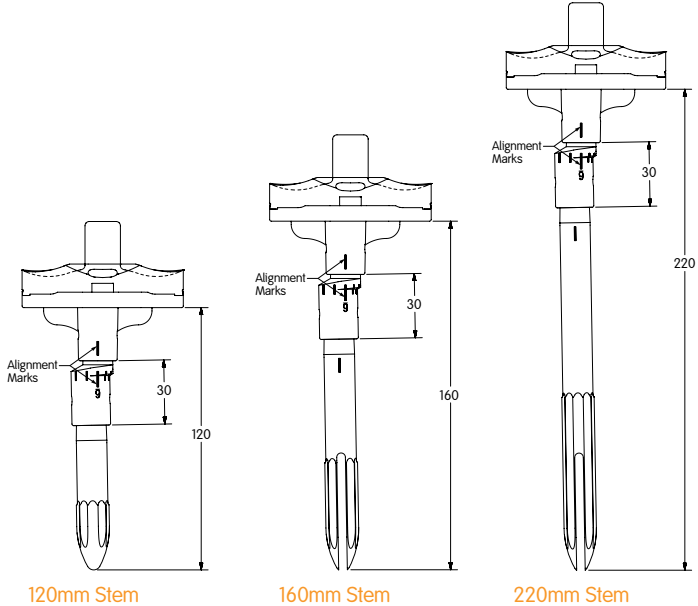
220mm Bowed Stem

280mm Bowed Stem

Tibial Stem Configuration



Tibial Stem with Coupler



LEGION[◇] RK Primer

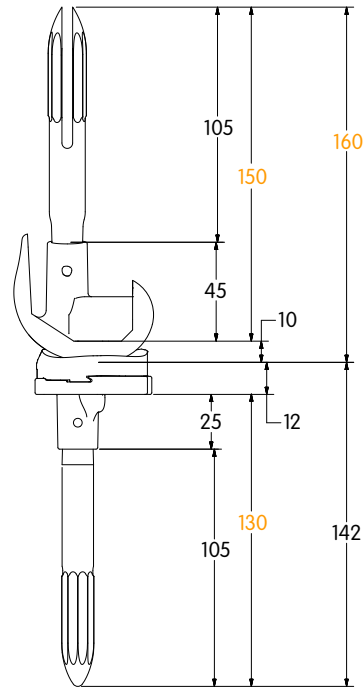
Stem Length Design Rationale

- LEGION stems were designed for use in multiple scenarios from complex primary through revision and hinge.
- In order to enable alignment of the new construct with the original joint line, stem lengths are measured from the joint line, defined by the distal-most aspect of the articular surface of the femoral component.
- For example, using a stem labeled “160mm” yields a final femoral construct length of 160mm from the joint line to the tip of the stem.
- If an offset coupler is used, the effective stem length is increased by 30mm.
- Same stems are used for the femur and tibia.

Tibia side (shorter taper)

- Tibial taper is 20mm shorter than the femoral taper.
- The shorter taper serves to move offset couplers proximally, mitigating tibial cortex impingement.
- The tibial insert thickness affects the tibial construct length from the joint line to the tip of the tibial stem.
- The shorter tibial taper results in an effective stem length 20mm shorter than labeled, but the insert thickness affects this number as well.
- For example, using a stem labeled “160mm” with a 9mm insert and the thicker revision baseplate yields a final tibial construct length of 142mm from the joint line to the tip of the stem.
- Reamers are marked to ream from the distal bone interface of the femur plus 20mm extra.
- Reaming to the depth mark on the tibia reams 20mm more, resulting in a net of 40mm extra depth on the tibia.
- Please note the LEGION HK tibia is longer, check page LEGION HK primer for details.

Final note: there are three key measurements, and they are highlighted in the figure to the right – 160, 150 and 130. These highlight the stem length and the length from the tapers on both the femoral and tibia components into the canal.



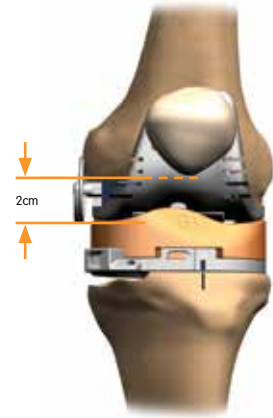
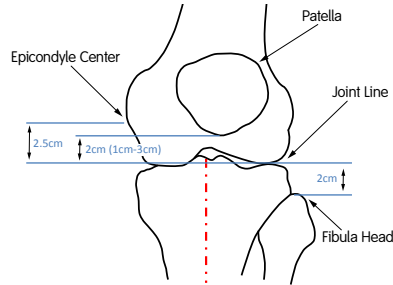
Appropriate patellar position should be assessed preoperatively and corrective strategies developed, if needed. A need to move the joint line distally can be a common occurrence in Revision TKA, and if known preoperatively, can save time over adjusting the joint line after the trial range of motion. An assessment of the joint line and patellar height should be completed preoperatively and/or prior to the removal of any existing components with any necessary corrections noted. The noted corrections can then be performed within the initial steps of the surgical technique – distal resection, A/P block resections and femoral trial.

Re-establishing the Joint Line

The image below shows three anatomical landmarks that can be used during revision surgery to re-establish the joint line. While there are others, these three are used the majority of the time as a quick reference to ensure that the new implants are recreating the joint line in its proper location. (Keep in mind the dimensions are appropriate. They are a quick reference guide).

The three measurements are:

- Epicondyle center
- Inferior patellar pole
- Fibula head



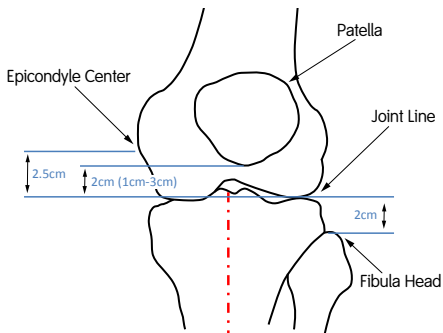
The 10mm distal wedge resection slots in the femoral trial provide a reference of 20mm from the joint line to help assess the height of the inferior eminence of the patella.

Degrees of Hyperextension/Rotation/Constraint*

LEGION® PS Femoral with PS or PSHF Insert	LEGION RK Femoral with PS or PSHF Insert	LEGION PS Femoral with Constrained* Insert**	LEGION RK Femoral with Constrained* Insert	LEGION HK Femoral with Guided Motion insert
15° of hyperextension	15° of hyperextension	13° of hyperextension	10° of hyperextension	3° of hyperextension
No constraint on rotation	No constraint on rotation	+/- 4° of rotation	+/- 3° of rotation	No constraint distracted or flexed (~0.8cm distraction)
No varus/valgus constraint	No varus/valgus constraint	+/- 3° of varus/valgus constraint	+/- 2° of varus/valgus constraint	+/- 2° of varus/valgus constraint

* Constraint refers to post-to-box geometry.

** In patients with good femoral bone quality and when used in conjunction with a tibial stem



Flexion Extension Matrix

	Extension		
Flexion	Tight	OK	Loose
Tight	1	2	3
OK	4	5	6
Loose	7	8	9

1. Resect more tibia.
2. Downsize the femoral component.
3. Lower joint line by augmenting distal femur.
4. Resect more distal femur.
5. Assess, finalize and proceed.
6. Lower joint line by augmenting distal femur.
7. Move femoral component proximally and use thicker insert.
8. Upsize femoral component.
9. Use a thicker tibial insert.

LEGION[◇] Implant Compatibility Guide

	Femoral Component				Sizes
	LEGION CR	LEGION PS	LEGION RK	LEGION HK	
LEGION RK Distal Femoral Wedges	CoCr femoral component only	Yes	Yes	No	Sizes 2-8; 5, 10, 15mm
LEGION HK Distal Wedges	No	No	No	Yes	Sizes 3-5 and 7; 5, 10, 15, 20mm
LEGION RK Posterior Femoral Wedges	CoCr femoral component only	Yes ¹	Yes	No	Sizes 1-8; 5, 10mm
LEGION RK "L" Femoral Wedges Sizes 2-8	CoCr femoral component only	Yes	Yes	No	Sizes 2-8; 5 distal x 5mm posterior 10 distal x 5mm posterior 15 distal x 5mm posterior
LEGION RK "L" Femoral Wedges Sizes 3-8	CoCr femoral component only	Yes	Yes	No	Sizes 3-8; 5 distal x 10mm posterior 10 distal x 10mm posterior 15 distal x 10mm posterior
GENESIS[°] II All-Poly Tibia	Yes	Yes	No	No	Sizes 1-8
GENESIS II Tibial Baseplate – Male Tapered	Yes	Yes	Yes	No	Sizes 1-8
LEGION RK Tibial Baseplate – Female Tapered	Yes	Yes	Yes	No	Sizes 1-8
LEGION HK Tibial Baseplate - Female Tapered	No	No	No	Yes	Sizes 2-5 and 7

Note: While other implant combinations may be theoretically possible, the information in this table is intended to communicate those combinations that are recommended, based on regulatory approvals, technical merit and strategic product focus.

¹ GENESIS II Non-augmented, constrained - No

	Femoral Component			LEGION HK	Sizes
	LEGION° CR	LEGION PS	LEGION RK		
Standard Inserts; - Cruciate Retaining (CR) - Posterior Stabilized (PS)	Yes	Yes	Yes – PS only	No	CR – Sizes 1-8; 9, 11, 13, 15, 18mm PS – Sizes 1-8; 9, 11, 13, 15, 18, 21, 25mm
Cruciate Retaining Deep Dished (CRDD)	Yes	No	No	No	Size 1-8; 9, 11, 13, 15, 18, 21mm
Cruciate Retaining High Flex (CRHF) Posterior Stabilized High Flex (PSHF)	Yes – Deep Flex	Yes – High Flex	Yes – PS High Flex only	No	CR – Sizes 1-8; 9, 11, 13, 15, 18mm PS – Sizes 1-8; 9, 11, 13, 15, 18, 21, 25mm
Posterior Stabilized High Flex (PSHF) in XLPE Cruciate Retaining High Flex (CRHF) in XLPE	Yes ²	Yes	Yes – PS only	No	CR – Sizes 1-8; 9, 11, 13, 15mm PS – Sizes 1-8; 9, 11, 13, 15mm
Posterior Stabilized Constrained (PSCon)	No	Yes ³	Yes ⁴	No	Sizes 1-8; 9, 11, 13, 15, 18, 21, 25, 30mm
LEGION HK Guided Motion Insert	No	No	No	Yes	Sizes 2-5 and 7; 11, 13, 15, 18, 21mm
LEGION Press-Fits Stems	No	No	Yes	Yes	120mm; 9, 10, 11, 12, 13, 14, 15, 16, 18, 20, 22, 24mm 160mm; 9, 10, 11, 12, 13, 14, 15, 16, 18, 20, 22, 24mm 220mm; 10, 11, 12, 13, 14, 15, 16, 18, 20, 22, 24mm 280mm; 10, 11, 12, 13, 14, 15, 16, 18, 20, 22, 24mm

² Formerly known as “Deep Flex” for CR. XLPE version now called “High Flex” to match PS

³ In patients with good femoral bone quality and when used in conjunction with a tibial stem

⁴ When used in conjunction with a tibial stem

	Femoral Component				Sizes
	LEGION° CR	LEGION PS	LEGION RK	LEGION HK	
LEGION Stem Extensions	No	No	Yes	Yes	80mm; 12mm
LEGION Offset Couplers	No	No	Yes	Yes	2, 4, 6mm and angled
GENESIS° II Patella-Biconvex	Yes	Yes	Yes	Yes	Thickness 13mm; 23mm, 26mm, 29mm, 32mm
GENESIS II Patella-Oval	Yes	Yes	Yes	Yes	Diameter 29mm 32mm 35mm 38mm 41mm Thickness 8.5mm 9.0mm 9.0mm 9.5mm 10mm
GENESIS II Patella-Resurfacing	Yes	Yes	Yes	Yes	Thickness 9mm; 26mm, 29mm, 32mm, 35mm, 39mm, 41mm Thickness 7.5mm; 26mm, 29mm, 32mm, 35mm

LEGION[◇] Implant Compatibility Guide

	Tibial Component			Sizes
	LEGION Primary (CR/PS)	LEGION RK	LEGION HK	
LEGION HK Guided Motion Insert	No	No	Yes	Sizes 2-5 and 7; 11, 13, 15, 18, 21mm
LEGION Press-Fits Stems	No	Yes	Yes	120mm; 9, 10, 11, 12, 13, 14, 15, 16, 18, 20, 22, 24mm 160mm; 9, 10, 11, 12, 13, 14, 15, 16, 18, 20, 22, 24mm 220mm; 10, 11, 12, 13, 14, 15, 16, 18, 20, 22, 24mm 280mm; 10, 11, 12, 13, 14, 15, 16, 18, 20, 22, 24mm
LEGION Cemented Stems	No	Yes	Yes	120mm; 10, 12, 14, 16, 18, 20mm 160mm; 10, 12, 14, 16, 18, 20mm
LEGION Stem Extensions	No	Yes	Yes	80mm; 12mm
LEGION Offset Couplers	No	Yes	Yes	2, 4, 6mm and angled
LEGION Male-Male Offset Couplers	No	Yes	Yes	2, 4, 6mm
LEGION Hemi-Stepped Tibial Wedge	No	Yes	No	Sizes 1-8; 5, 10, 15mm
LEGION Full-Stepped Tibial Wedge	No	Yes	No	Sizes 1-8; 10, 15mm
LEGION RK/HK Hemi-Stepped Tibial Wedge	No	Yes	Yes	Sizes 1-8; 5, 10, 15mm
LEGION RK/HK Full-Stepped Tibial Wedge	No	Yes	Yes	Sizes 1-8; 10, 15mm

LEGION[◇] CR and PS Femorals Articular Insert Interchangeability

Cruciate Retaining Inserts (CR): completely interchangeable with all size femoral components.

Posterior Stabilized (PS), Cruciate Retaining Deep Dished (CRDD), Posterior Stabilized Constrained (PSCon), Posterior Stabilized High Flex (PSHF) and Cruciate Retaining High Flex (CRHF): Limited interchangeability; chart applies.

Insert Size	Femoral Size								
1-2 PS, CRDD, PSCon	1	2	3						
1-2 PSHF, CRHF	1	2	3	4					
3-4 PS, CRDD, PSCon		2	3	4	5				
3-4 PSHF, CRHF		2	3	4	5	6			
5-6 PS, CRDD, PSCon				4	5	6	7		
5-6 PSHF, CRHF				4	5	6	7	8	
7-8 PS, CRDD, PSCon						6	7	8	
7-8 PSHF, CRHF						6	7	8	9*

*Size 9 GENESIS II only, not in standard set, limited availability and may vary by country or territory.

LEGION RK Constrained Femoral Articular Insert Interchangeability

Posterior Stabilized (PS)
Posterior Stabilized High Flex (PSHF)
Posterior Stabilized Constrained (PSCon)
Femoral Component Size

Insert Size	Femoral Size							
1-2 PS/PSCon	2	3						
1-2 PSHF	2	3	4					
3-4 PS/PSCon	2	3	4	5				
3-4 PSHF	2	3	4	5	6			
5-6 PS/PSCon			4	5	6	7		
5-6 PSHF			4	5	6	7	8	
7-8 PS/PSCon					6	7	8	
7-8 PSHF					6	7	8	

Note: For GENESIS[◇] II CR and PS, same interchangeability, except for constrained inserts, which are not compatible with GENESIS II Primary Femoral Components due to the asymmetrical posterior condyles.

Primary Loaner Kits*

Instrumentation

Kit No.	Contents
007735	Universal Instruments (Fem 3-6, Tibial 3-6 Patella and Misc)
007737	Finishing Instruments (Sizes 1-2)
007738	Finishing Instruments (Sizes 7-8)
007780	Posterior Referencing (Sizes 3-6) (goes w/Kit 007735)
007781	Posterior Referencing (Sizes 7-8)
007911	Posterior Referencing (Sizes 1-2)
007920	Oval Patellar Resurfacing Instruments
008117	CR Deep Dished Insert Trials (goes w/Kit 008600)
007969	High Flexion Instruments (goes w/Kits 008443, 008444, 008447)
007769	Stemless Tibial Instruments Trials & Punches
008104	Large Reamer Resurfacing System (goes w/Kit 008248)
008120	ACF Femoral Instrument Set
008122	CR Femoral Instrument Set
008124	PS Femoral Set
008101	(Sizes 1-2) DCF MIS CR and PS Cutting Blocks
008103	(Size 9) DCF Instrumentation (goes w/Kits 008462 or 008463)
008100	(Sizes 1-2) ACF MIS CR and PS Cutting Blocks
008102	(Size 9) ACF Instrumentation (goes w/Kits 008462 or 008463)

Implants

Kit No.	Contents
008248	Oval Resurfacing Patellar Implants
008600	GENESIS® II CR High Flex Implants (Size 1-8)
008444	PS High Flex Inserts (Size 1-2) (9-25mm)
008443	PS High Flex Inserts (Size 7-8) (9-25mm)
008447	PS High Flex Inserts (Size 3-6)
008462	LEGION® CR OXINIUM® Non-Porous Size 9 Femoral Component Left
008463	LEGION CR OXINIUM Non-Porous Size 9 Femoral Component Right
008621	LEGION PS OXINIUM Size 3-8 Set Femoral Component Right
008622	LEGION PS OXINIUM Size 3-8 Set Femoral Component Left
008623	LEGION CR OXINIUM Size 3-8 Set Femoral Component Right
008624	LEGION CR OXINIUM Size 3-8 Set Femoral Component Left
008625	LEGION CR Non-Porous Size 3-8 Set Femoral Component Left
008626	LEGION CR Non-Porous Size 3-8 Set Femoral Component Right
009262	LEGION Porous CR Loaner Kits – Right
009263	LEGION Porous CR Loaner Kits – Left

*US loaner kits

LEGION[◇] Revision (RK) Loaner Kits*

Kit No.	Contents
008135	All Instruments (Femur Sizes 3-8, Tibia Sizes 1-8)
LT-008642	All Implants (Femur Sizes 3-8, Tibia Sizes 1-8)
RT-08643	All Implants (Femur Sizes 3-8, Tibia Sizes 1-8)
008640	LT Fem Components (Sizes 3-8), all types of Fem Wedges (Sizes 3-8)
008641	RT Fem Components (Sizes 3-8), all types of Fem Wedges (Sizes 3-8)
008634	LT Tibial Baseplates (Sizes 1-8), all types of Tibial Wedges, Tibial Inserts
008635	RT Tibial Baseplates (Sizes 1-8), all types of Tibial Wedges, Tibial Inserts
008636	Cemented Stems, Couplers (2 each of 2, 4, 6mm), Short Stem Extensions
008637	Press-fit Stems, Couplers (2 each of 2, 4, 6mm), Short Stem Extensions
008142	Instruments (Femur Sizes 1-2)
007259	GENESIS [◇] II Revision Long Stem Implants (10-22mm x100, 10-16mm x150)

*US loaner kits

Kit No.	Contents
007742	GENESIS II Revision Long Stem Instruments
008704	RENOVATION [®] Knee Extraction Instruments
009611	RENOVATION Knee Extraction Disposables
008638	LT Fem Components (Size 2), all types Fem Wedges (Size 2)
008639	RT Fem Components (Size 2), all ypes Fem Wedges (Size 2)
009262	Male-Male Offset Couplers - Implants
008535	Male-Male Offset Couplers - Trials
008862	Bowed Stem Implants
008350	Bowed Stem Trials

Literature

Surgical Techniques

Catalog Item	Description
71281670	LEGION° Total Knee System ACF Femoral ST
71281671	LEGION Total Knee System DCF Femoral ST
71281978	LEGION Total Knee System DCF Femoral ST with Universal Instruments
71281673	LEGION Total Knee System Tibial EM ST
71281674	LEGION Total Knee System Tibial IM ST
71281677	LEGION Total Knee System Biconvex Patella ST
71281300	LEGION Revision Knee (RK) Surgical Technique
71281506	LEGION Hinge Knee (HK) Surgical Technique
71281942	LEGION HK Hinge Disassembly and Rebuild Technique
2025-e	RENOVATION° Surgical Technique Universal Knee Implant Extraction Instrument System

Femoral Component Dimensions

LEGION[®] HK Femoral Component

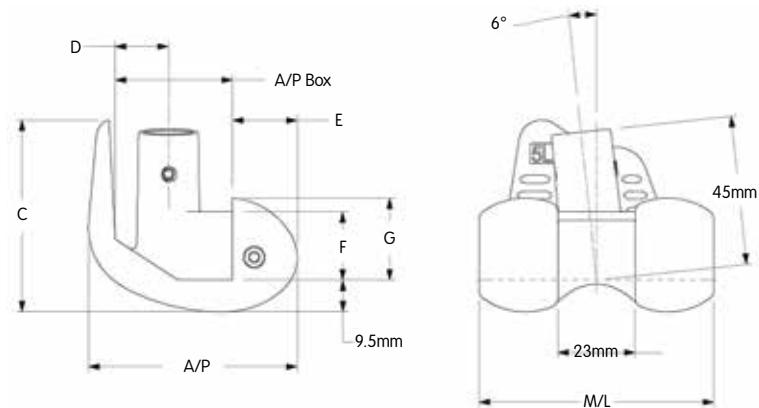
Size	M/L (mm)	A/P (mm)	C (mm)	D (mm)	E (mm)	F (mm)	G (mm)	A/P Box (mm)
3	62	55	52	13.6	19.3	20.3	24.5	28.0
4	66	59	55	14.8	19.3	20.3	24.5	31.7
5	70	62	57	15.9	19.3	20.3	24.5	35.0
7*	77	70	61	18.6	21.3	21.6	26.3	40.3

The LEGION HK femoral assembly shares the same A/P and M/L dimensions as the LEGION primary femorals and LEGION RK femorals.

All box cuts are made using the LEGION RK, A/P cutting block of the same size. The +10mm posterior cuts are used for the LEGION HK femorals.

All sizes of femorals fit all sizes of tibias.

* The LEGION HK size 7 femoral assembly has a different link. Size 2 through 5 share one link size.



Tibial Baseplate Dimensions

LEGION° HK Tibial Component

Size	M/L (mm)	A/P (mm)
2	64	45
3	68	48
4	71	50
5	74	52
7	81	56

Guided Motion Insert

Thickness (mm)
11
13
15
18
21

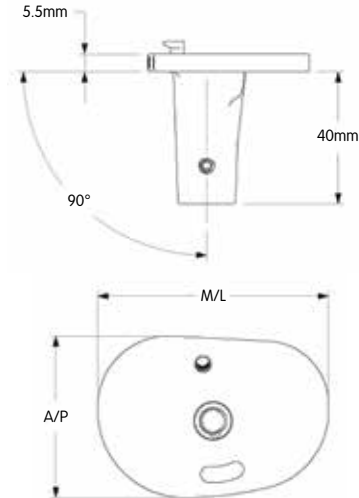
The LEGION HK tibial component has the same footprint and sizing as the LEGION primary and revision tibial baseplate.

The LEGION HK tibial stem is 15mm longer than the LEGION RK. When reaming for the stem with the Counterbore Reamer, use the femoral setting on the collar.

Insert sizes are: 2-3, 4-5 and 6-7.

All sizes of femorals fit all sizes of tibias.

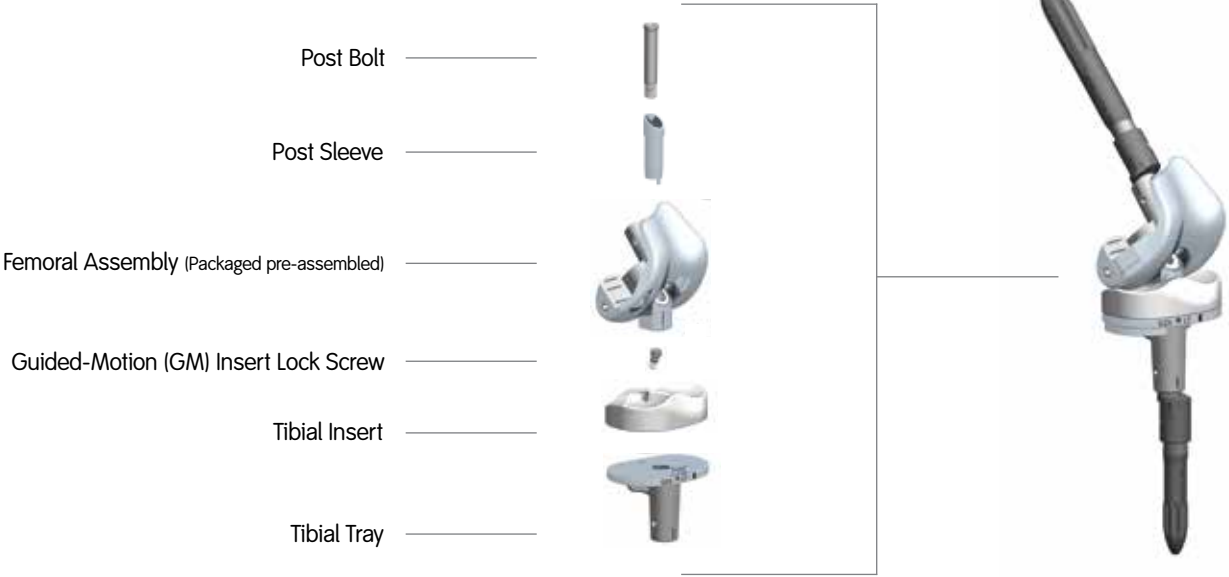
Cemented Baseplate - Female tapered



Guided Motion Insert

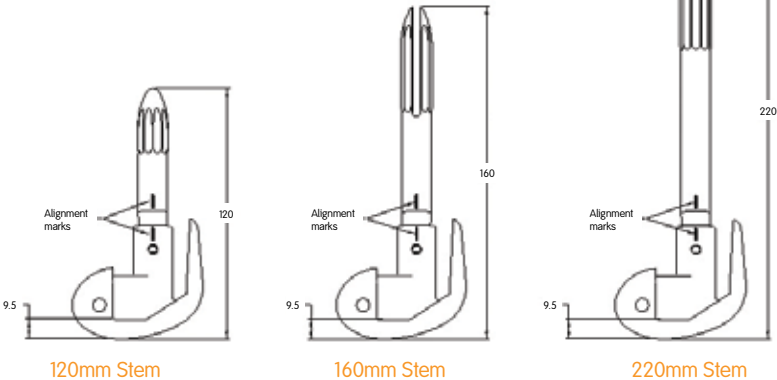


LEGION[◊] HK Implant Component Assembly

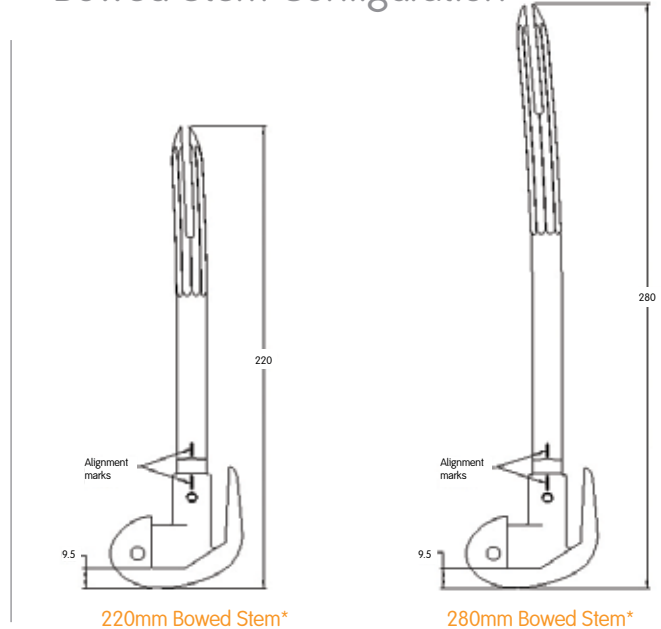


Femoral Stem Configuration

Note: Alignment marks can be used to aid in stem slot orientation in the sagittal plane (tibia) and coronal plane (femur) as shown here if preferred. They are also used to dial in and reference the offset coupler rotation with respect to the femoral and tibial trials. For example, the offset coupler is in the "6 o'clock" position in both the femoral and tibial configurations in this section.

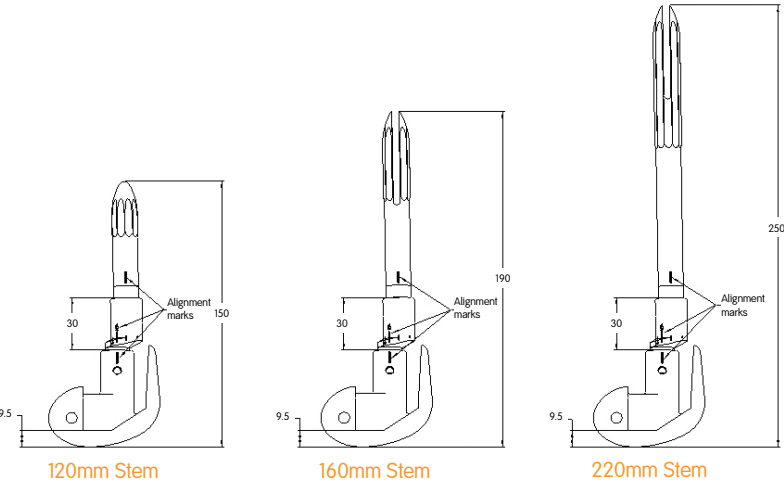


Bowed Stem Configuration

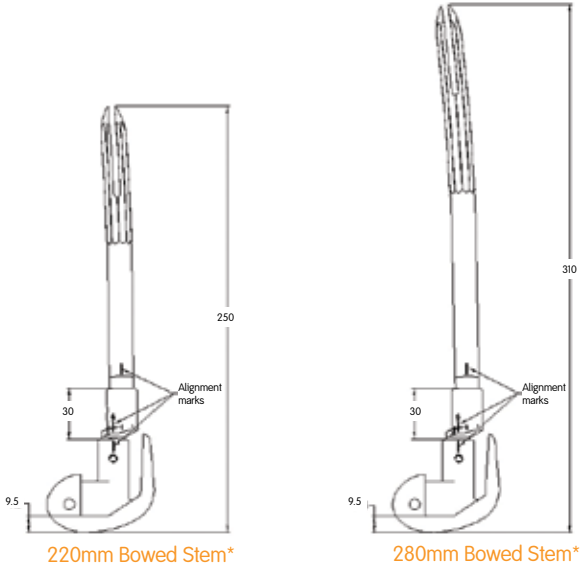


* Not in standard set, limited availability and may vary by country or territory.

Straight Stem with Coupler

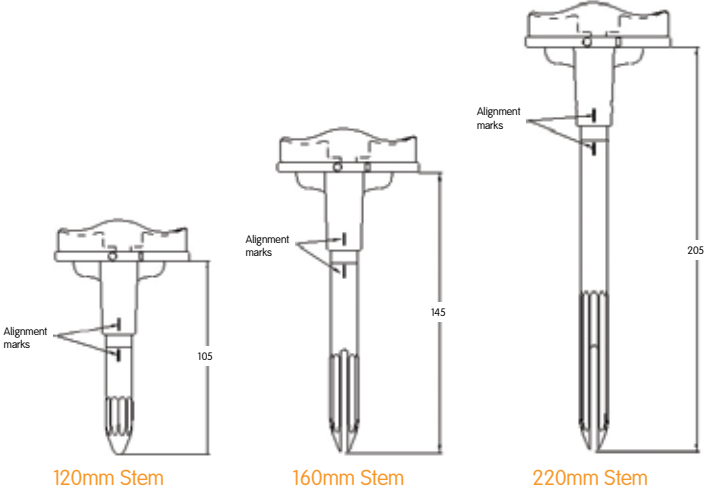


Bowed Stem with Coupler

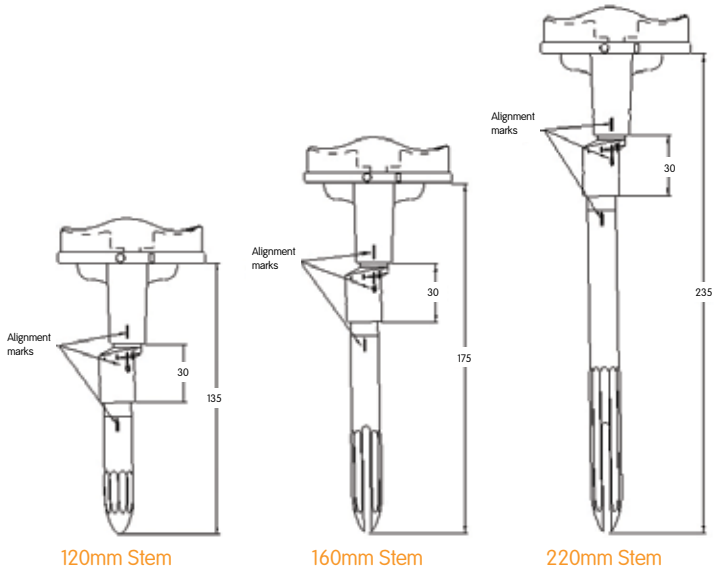


*Not in standard set, limited availability and may vary by country or territory.

Tibial Stem Configuration



Tibial Stem with Coupler



LEGION HK Primer

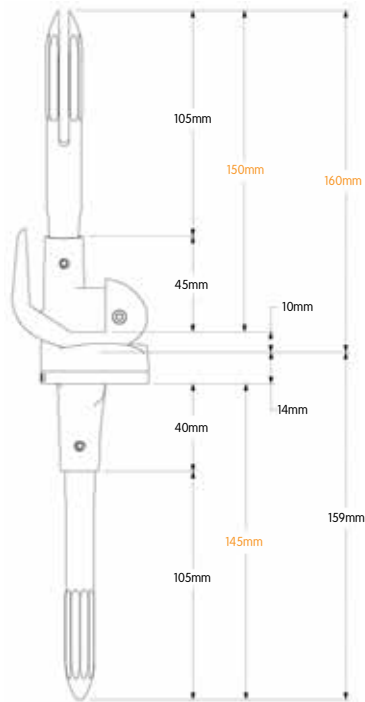
Stem Length Design Rationale

- LEGION® stems were designed for use in multiple scenarios from complex primary through revision and hinge.
- In order to enable alignment of the new construct with the original joint line, stem lengths are measured from the joint line, defined by the distal-most aspect of the articular surface of the femoral component.
- For example, using a stem labeled “160mm” yields a final femoral construct length of 160mm from the joint line to the tip of the stem.
- If an offset coupler is used, the effective stem length is increased by 30mm.
- Same stems are used for the femur and tibia.

Tibial side (shorter taper)

- Tibial taper is 5mm shorter than the femoral taper.
- The shorter taper serves to move offset couplers proximally, mitigating tibial cortex impingement.
- The tibial insert thickness affects the tibial construct length from the joint line to the tip of the tibial stem.
- The shorter tibial taper results in an effective stem length 5mm shorter than labeled, but the insert thickness affects this number as well.
- For example, using a stem labeled “160mm” with an 11mm insert and the thicker hinge baseplate yields a final tibial construct length of 159mm from the joint line to the tip of the stem.
- Reamers are marked to ream from the distal bone interface of the femur plus 20mm extra.
- Reaming to the depth mark on the tibia reams 20mm more, resulting in a net of 25mm extra depth on the tibia.

Final note: there are three key measurements, and they are highlighted in the figure to the right – 160, 150, and 145. These highlight the stem length and the length from the tapers on both the femoral and tibial components into the canal.



LEGION[◇] HK Loaner Kits*

Kit No.	Contents
8567	LEGION HK Right Instrument Set
8566	LEGION HK Left Instrument Set
9461	LEGION HK Right Femoral and Tibial Implant Set
9463	LEGION HK Right Guided Motion Insert Set
9460	LEGION HK Left Femoral and Tibial Implant Set
9462	LEGION HK Left Guided Motion Insert Set
9464	LEGION Hinge Wedge Set
8759	LEGION HK Size 7 Left Instrument Set
8760	LEGION HK Size 7 Right Instrument Set
9627	LEGION HK Size 7 Left Implant Set
9628	LEGION HK Size 7 Right Implant Set
9466	LEGION HK Rebuild Kit Implants (link replacement)

*US loaner kits

When ordering a LEGION HK set, the LEGION HK Femoral and Tibial Wedge set, 9464 will need to be ordered per side.

LEGION HK is an add on to LEGION RK and not a stand-alone set. Both LEGION RK and HK instrument sets must be present for each case.

Femoral Implants

LEGION[®] Cemented Femoral Components – CR

Size	CoCr		OXINIUM [®] Oxidized Zirconium	
	Left	Right	Left	Right
2	7142-3202	7142-3212	7142-1232	7142-1222
3N	7193-3640	7193-3644	7142-1243	7142-1253
3	7142-3203	7142-3213	7142-1233	7142-1223
4N	7193-3641	7193-3645	7142-1244	7142-1254
4	7142-3204	7142-3214	7142-1234	7142-1224
5N	7193-3642	7193-3646	7142-1245	7142-1255
5	7142-3205	7142-3215	7142-1235	7142-1225
6N	7193-3643	7193-3647	7142-1246	7142-1256
6	7142-3206	7142-3216	7142-1236	7142-1226
7	7142-3207	7142-3217	7142-1237	7142-1227
8	7142-3208	7142-3218	7142-1238	7142-1228

LEGION Cementless (CoCr) Femoral Components – CR

Size	Porous without HA coating		Porous with HA coating	
	Left	Right	Left	Right
2	7142-3242	7142-3252	7142-5202	7142-5212
3	7142-3243	7142-3253	7142-5203	7142-5213
4	7142-3244	7142-3254	7142-5204	7142-5214
5	7142-3245	7142-3255	7142-5205	7142-5215
6	7142-3246	7142-3256	7142-5206	7142-5216
7	7142-3247	7142-3257	7142-5207	7142-5217
8	7142-3248	7142-3258	7142-5208	7142-5218

LEGION° Cemented Femoral Components – RK (Revision)

Size	CoCr		OXINIUM° Oxidized Zirconium	
	Left	Right	Left	Right
2	7142-5002*	7142-6002*	7142-1162	7142-1172
3	7142-5003	7142-6003	7142-1163	7142-1173
4	7142-5004	7142-6004	7142-1164	7142-1174
5	7142-5005	7142-6005	7142-1165	7142-1175
6	7142-5006	7142-6006	7142-1166	7142-1176
7	7142-5007	7142-6007	7142-1167	7142-1177
8	7142-5008	7142-6008	7142-1168	7142-1178

*Non-standard, limited availability.

LEGION Cemented Femoral Components – PS

Size	CoCr		OXINIUM Oxidized Zirconium	
	Left	Right	Left	Right
2	7142-3222	7142-3232	7142-1212	7142-1202
3N	7193-3648	7193-3652	7142-1263	7142-1273
3	7142-3223	7142-3233	7142-1213	7142-1203
4N	7193-3649	7193-3653	7142-1264	7142-1274
4	7142-3224	7142-3234	7142-1214	7142-1204
5N	7193-3650	7193-3654	7142-1265	7142-1275
5	7142-3225	7142-3235	7142-1215	7142-1205
6N	7193-3651	7193-3655	7142-1266	7142-1276
6	7142-3226	7142-3236	7142-1216	7142-1206
7	7142-3227	7142-3237	7142-1217	7142-1207
8	7142-3228	7142-3238	7142-1218	7142-1208

Inserts

LEGION® (GENESIS® II) CR standard inserts

Thickness	Sizes 1-2 catalog item	Sizes 3-4 catalog item	Sizes 5-6 catalog item	Sizes 7-8 catalog item
9mm	7142-0480	7142-0490	7142-0500	7142-0510
11mm	7142-0482	7142-0492	7142-0502	7142-0512
13mm	7142-0484	7142-0494	7142-0504	7142-0514
15mm	7142-0486	7142-0496	7142-0506	7142-0516
18mm	7142-0488	7142-0498	7142-0508	7142-0518

LEGION (GENESIS II) CR Deep Dish Inserts

Thickness	Sizes 1-2 catalog item	Sizes 3-4 catalog item	Sizes 5-6 catalog item	Sizes 7-8 catalog item
9mm	7142-0754	7142-0766	7142-0778	7142-0790
11mm	7142-0756	7142-0768	7142-0780	7142-0792
13mm	7142-0758	7142-0770	7142-0782	7142-0794
15mm	7142-0760	7142-0772	7142-0784	7142-0796
18mm	7142-0762	7142-0774	7142-0786	7142-0798
21mm	7142-0764	7142-0776	7142-0788	7142-0800

LEGION (GENESIS II) Cruciate Retaining High Flex (CRHF)

Thickness	Sizes 1-2 catalog item	Sizes 3-4 catalog item	Sizes 5-6 catalog item	Sizes 7-8 catalog item
9mm	7142-1531	7142-1536	7142-1542	7142-1547
11mm	7142-1532	7142-1537	7142-1543	7142-1548
13mm	7142-1533	7142-1538	7142-1544	7142-1549
15mm	7142-1534	7142-1539	7142-1545	7142-1551
18mm	7142-1535	7142-1541	7142-1546	7142-1552

LEGION® (GENESIS® II) PS Inserts

Thickness	Sizes 1-2 catalog item	Sizes 3-4 catalog item	Sizes 5-6 catalog item	Sizes 7-8 catalog item
9mm	7142-0802	7142-0816	7142-0830	7142-0844
11mm	7142-0804	7142-0818	7142-0832	7142-0846
13mm	7142-0806	7142-0820	7142-0834	7142-0848
15mm	7142-0808	7142-0822	7142-0836	7142-0850
18mm	7142-0810	7142-0824	7142-0838	7142-0852
21mm	7142-0812	7142-0826	7142-0840	7142-0854
25mm	7142-0814	7142-0828	7142-0842	7142-0856

LEGION (GENESIS II) PS High Flex Inserts

Thickness	Sizes 1-2 catalog item	Sizes 3-4 catalog item	Sizes 5-6 catalog item	Sizes 7-8 catalog item
9mm	7142-1501	7142-1508	7142-1515	7142-1522
11mm	7142-1502	7142-1509	7142-1516	7142-1523
13mm	7142-1503	7142-1510	7142-1517	7142-1524
15mm	7142-1504	7142-1511	7142-1518	7142-1525
18mm	7142-1505	7142-1512	7142-1519	7142-1526
21mm	7142-1506	7142-1513	7142-1520	7142-1527
25mm	7142-1507	7142-1514	7142-1521	7142-1528

LEGION PS Constrained Inserts

Thickness	Sizes 1-2 catalog item	Sizes 3-4 catalog item	Sizes 5-6 catalog item	Sizes 7-8 catalog item
9mm	7142-0959	7142-0523	7142-0537	7142-0551
11mm	7142-0960	7142-0524	7142-0538	7142-0552
13mm	7142-0962	7142-0526	7142-0540	7142-0554
15mm	7142-0964	7142-0528	7142-0542	7142-0556
18mm	7142-0966	7142-0530	7142-0544	7142-0558
21mm	7142-0968	7142-0532	7142-0546	7142-0560
25mm	7142-0970	7142-0534	7142-0548	7142-0562
30mm	7142-0972*	7142-0536*	7142-0550*	7142-0564*

LEGION CR Deep Dish XLPE Inserts

Thickness	Sizes 1-2 catalog item	Sizes 3-4 catalog item	Sizes 5-6 catalog item	Sizes 7-8 catalog item
9mm	7145-3271	7145-3277	7145-3284	7145-3291
11mm	7145-3272	7145-3278	7145-3285	7145-3292
13mm	7145-3273	7145-3279	7145-3286	7145-3293
15mm	7145-3274	7145-3281	7145-3287	7145-3294
18mm	7145-3275	7145-3282	7145-3288	7145-3295
21mm	7145-3276	7145-3283	7145-3289	7145-3296

*Non-standard, limited availability.

Inserts (continued)

LEGION® PS High Flex XLPE Inserts

Thickness	Sizes 1-2 catalog item	Sizes 3-4 catalog item	Sizes 5-6 catalog item	Sizes 7-8 catalog item
9mm	7145-3201	7145-3211	7145-3221	7145-3231
10mm	7145-3171	7145-3173	7145-3175	7145-3177
11mm	7145-3202	7145-3212	7145-3222	7145-3232
12mm	7145-3172	7145-3174	7145-3176	7145-3178
13mm	7145-3203	7145-3213	7145-3223	7145-3233
15mm	7145-3204	7145-3214	7145-3224	7145-3234
18mm	7145-3205	7145-3215	7145-3225	7145-3235
21mm	7145-3206	7145-3216	7145-3226	7145-3236
25mm	7145-3207	7145-3217	7145-3227	7145-3237

LEGION PS XLPE Inserts

Thickness	Sizes 1-2 catalog item	Sizes 3-4 catalog item	Sizes 5-6 catalog item	Sizes 7-8 catalog item
9mm	7145-3241	7145-3246	7145-3252	7145-3257
11mm	7145-3242	7145-3247	7145-3253	7145-3258
13mm	7145-3243	7145-3248	7145-3254	7145-3259
15mm	7145-3244	7145-3249	7145-3255	7145-3261
18mm	7145-3245	7145-3251	7145-3256	7145-3262

LEGION CR High Flex XLPE inserts

Thickness	Sizes 1-2 catalog item	Sizes 3-4 catalog item	Sizes 5-6 catalog item	Sizes 7-8 catalog item
9mm	7145-3101	7145-3111	7145-3121	7145-3131
10mm	7145-3181	7145-3183	7145-3185	7145-3187
11mm	7145-3102	7145-3112	7145-3122	7145-3132
12mm	7145-3182	7145-3184	7145-3186	7145-3188
13mm	7145-3103	7145-3113	7145-3123	7145-3133
15mm	7145-3104	7145-3114	7145-3124	7145-3134
18mm	7145-3105	7145-3115	7145-3125	7145-3135

LEGION CR XLPE Inserts

Thickness	Sizes 1-2 catalog item	Sizes 3-4 catalog item	Sizes 5-6 catalog item	Sizes 7-8 catalog item
9mm	7145-3141	7145-3146	7145-3152	7145-3157
11mm	7145-3142	7145-3147	7145-3153	7145-3158
13mm	7145-3143	7145-3148	7145-3154	7145-3159
15mm	7145-3144	7145-3149	7145-3155	7145-3161
18mm	7145-3145	7145-3151	7145-3156	7145-3162

Patellas

GENESIS° II Patella, Biconvex

Catalog item	Size
7142-0566	23mm
7142-0568	26mm
7142-0570	29mm
7142-0572	32mm

GENESIS II Patella, Resurfacing

Catalog item	Size
7142-0574	29mm
7142-0576	32mm
7142-0578	35mm
7142-0580	26mm

GENESIS II Patella, Oval Resurfacing

Catalog item	Size
7142-1029	29mm
7142-1032	32mm
7142-1035	35mm
7142-1038	38mm
7142-1041	41mm

GENESIS II 7.5MM Patella, Resurfacing*

Catalog item	Size
7193-2634	26mm
7193-2635	29mm
7193-2636	32mm
7193-2637	35mm

*Only available in US and Israel

Femoral Wedges

LEGION° RK Distal Femoral Wedge

Catalog item	Description
7142-1654	Sizes 2-8, 5mm
7142-1657	
7142-1661	
7142-1664	
7142-1667	
7142-1671	
7142-1674	
7142-1655	Sizes 2-8, 10mm
7142-1658	
7142-1662	
7142-1665	
7142-1668	
7142-1672	
7142-1675	

Catalog item	Description
7142-1656	Sizes 2-8, 15mm
7142-1659	
7142-1663	
7142-1666	
7142-1669	
7142-1673	
7142-1676	

Femoral Wedges (continued)

LEGION® RK L-Wedge

Catalog item	Description
7142-1711	Sizes 2-8, 5mm Distal x 5mm Posterior
7142-1721	
7142-1731	
7142-1741	
7142-1751	
7142-1761	
7142-1771	
7142-1722	Sizes 3-8, 5mm Distal x 10mm Posterior
7142-1732	
7142-1742	
7142-1752	
7142-1762	
7142-1772	

Catalog item	Description
7142-1713	Sizes 2-8, 10mm Distal x 5mm Posterior
7142-1723	
7142-1733	
7142-1743	
7142-1753	
7142-1763	
7142-1773	
7142-1724	Sizes 3-8, 10mm Distal x 10mm Posterior
7142-1734	
7142-1744	
7142-1754	
7142-1764	
7142-1774	

Catalog item	Description
7142-1715	Sizes 2-8, 15mm Distal x 5mm Posterior
7142-1725	
7142-1735	
7142-1745	
7142-1755	
7142-1765	
7142-1775	
7142-1726	Sizes 3-8, 15mm Distal x 10mm Posterior
7142-1736	
7142-1746	
7142-1756	
7142-1766	
7142-1776	

LEGION® RK Posterior Femoral Wedge

Catalog item	Size	Length
7142-1801	Sizes 1-2	5mm
7142-1802	Sizes 1-2	10mm
7142-1803	Sizes 3-4	5mm
7142-1804	Sizes 3-4	10mm
7142-1805	Sizes 5-6	5mm
7142-1806	Sizes 5-6	10mm
7142-1807	Sizes 7-8	5mm
7142-1808	Sizes 7-8	10mm

LEGION Screws

Catalog item	Description
7142-1698	5Mm Distal Wedge Screw
7142-1699	10Mm Distal Wedge Screw
7142-1670	15Mm Distal Wedge Screw
7142-1827	5Mm Posterior Wedge Screw
7142-1828	10Mm Posterior Wedge Screw
7142-4228	Locking Set Screw

Tibial Baseplates

LEGION° Cemented Tibial Baseplate – Male tapered

Size	Left catalog item	Right catalog item
1	7142-0160	7142-0176
2	7142-0162	7142-0180
3	7142-0164	7142-0182
4	7142-0166	7142-0184
5	7142-0168	7142-0186
6	7142-0170	7142-0188
7	7142-0172	7142-0190
8	7142-0174	7142-0191

LEGION RK Cemented Tibial Baseplate – Female tapered

1	7142-4001*	7142-4011*
2	7142-4002	7142-4012
3	7142-4003	7142-4013
4	7142-4004	7142-4014
5	7142-4005	7142-4015
6	7142-4006	7142-4016
7	7142-4007	7142-4017
8	7142-4008	7142-4018

*Not in standard set, limited availability.

Tibial Wedges

LEGION® RK 5mm Hemi-Stepped Tibial Wedge

Catalog item	Description	Catalog item	Description
7142-1141	Sizes 1-2, 3-4, 5-6, 7-8	7142-1145	Sizes 1-2, 3-4, 5-6, 7-8
7142-1142	Left-Medial/Right-Lateral	7142-1146	Left-Lateral/Right-Medial
7142-1143			
7142-1144			

LEGION RK 10mm Hemi-Stepped Tibial Wedge

Catalog item	Description	Catalog item	Description
7142-3033	Sizes 1-2, 3-4, 5-6, 7-8	7142-3037	Sizes 1-2, 3-4, 5-6, 7-8
7142-3034	Left-Medial/Right-Lateral	7142-3038	Left-Lateral/Right-Medial
7142-3035			
7142-3036			

LEGION RK 15mm Hemi-Stepped Tibial Wedge

Catalog item	Description	Catalog item	Description
7142-3041	Sizes 1-2, 3-4, 5-6, 7-8	7142-3045	Sizes 1-2, 3-4, 5-6, 7-8
7142-3042	Left-Medial/Right-Lateral	7142-3046	Left-Lateral/Right-Medial
7142-3043			
7142-3044			

LEGION RK Full-Stepped Tibial Wedge

Catalog item	Description	Catalog item	Description
7142-3057	Sizes 1-2, 3-4, 5-6, 7-8	7142-3061	Sizes 1-2, 3-4, 5-6, 7-8
7142-3058	10mm	7142-3062	15mm
7142-3059			
7142-3060			

LEGION RK Screws

Catalog item	Description
7142-3097	Tibial Wedge Screw

Stems

LEGION® Press-Fit Stems

Stem Diameter	120mm Catalog item	160mm Catalog item	220mm Straight Catalog item	220mm Bowed Catalog item**	280mm Bowed Catalog item**
9mm	7142-4022*	7142-4042*	N/A	N/A	N/A
10mm	7142-4023	7142-4043	7142-4063	7142-4083	7142-4103
11mm	7142-4024	7142-4044	7142-4064*	7142-4084	7142-4104
12mm	7142-4025	7142-4045	7142-4065	7142-4085	7142-4105
13mm	7142-4026	7142-4046	7142-4066*	7142-4086	7142-4106
14mm	7142-4027	7142-4047	7142-4067	7142-4087	7142-4107
15mm	7142-4028	7142-4048	7142-4068*	7142-4088	7142-4108
16mm	7142-4029	7142-4049	7142-4069	7142-4089	7142-4109
18mm	7142-4031	7142-4051	7142-4071	7142-4091	7142-4111
20mm	7142-4033	7142-4053	7142-4073	7142-4093	7142-4113
22mm	7142-4035*	7142-4055	7142-4075*	7142-4095	7142-4115
24mm	7142-4037*	7142-4057*	7142-4077*	7142-4097	7142-4117

* Not in standard set, limited availability.

** Not in standard set, limited availability and may vary by country or territory.

LEGION Cemented Stems

Stem diameter	120mm Catalog item	160mm Catalog item
10mm	7142-4182	7142-4202
12mm	7142-4184	7142-4204
14mm	7142-4186	7142-4206
16mm	7142-4188	7142-4208
18mm	7142-4190	7142-4210
20mm	7142-4192	7142-4212

GENESIS® II Stems

Stem diameter	Catalog item – 100mm	Catalog item – 150mm
10mm	7142-0628	7142-0647
12mm	7142-0630	7142-0649
14mm	7142-0632	7142-0648
16mm	7142-0634	7142-0650
18mm	7142-0636	
20mm	7142-0638	
22mm	7142-0640	
24mm	7142-0642	

GENESIS II REVISION Press-Fit Stem

Stem diameter	Catalog item – 100mm	Catalog item – 150mm
10mm	7142-1310	7142-1318
12mm	7142-1312	7142-1320
14mm	7142-1314	7142-1322
16mm	7142-1316	7142-1324

GENESIS II Tibia Offset Couplers

Catalog item	Description
7142-2002	GENESIS II 2mm Tib offset coupler
7142-2004	GENESIS II 4mm Tib offset coupler

LEGION® Stem Extensions and Offset Couplers

Catalog item	Description
7142-4163	Short Stem Extension 12 x 80
7142-4221*	Offset Coupler Angled
7142-4223	Offset Coupler + 2mm
7142-4225	Offset Coupler + 4mm
7142-4227	Offset Coupler + 6mm

Impactor Sleeves for the Offset Couplers and Cemented Stems*

Catalog item	Description
7143-4270	Size 9-12
7143-4271	Size 13-18 (Offset Coupler)
7143-4272	Size 20-24

*Use only on Cemented Stems & Offset Couplers, single use

LEGION Male-To-Male Couplers*

Catalog item	Description
7193-3693	LEGION Male-to-Male Mini Coupler 2mm
7193-3694	LEGION Male-to-Male Mini Coupler 4mm
7193-3695	LEGION Male-to-Male Mini Coupler 6mm
7193-3696	LEGION Male-to-Male Mini Coupler Trial 2mm
7193-3697	LEGION Male-to-Male Mini Coupler Trial 4mm
7193-3698	LEGION Male-to-Male Mini Coupler Trial 6mm
7193-K178	LEGION Male-to-Male Mini Coupler Set (includes implants and trials)

*Not in standard set, limited availability and may vary by country or territory.

Cement and Sawblades

Cement Item Numbers and Descriptions

Catalog Item	Description	
7127-1340	VERSABOND° 40 Gram	Without antibiotic
7127-1440	VERSABOND AB 40 Grams	With Gentamicin antibiotic

Sawblade Item Numbers and Conversion Chart

Catalog Item	Current description	Future description
111754	Thin Osteotome Blade 15mm	Osteotome Blade, 15mm
111755	Thin Osteotome Blade 17.5mm	Osteotome Blade, 17mm
111756	Thin Osteotome Blade 20mm	Osteotome Blade, 20mm
7151-2901	Pro Sawblade-Stry 2000 Fanned	Oscillating Sawblade, 1.37mm, Fanned, Stry 2000
7151-2903	Pro Hall 3/4 Fan Sawblade	Oscillating Sawblade, 1.37mm, Fanned, Hall 3/4
7151-2904	PROFIX° Sawblade-3M Fanned	Oscillating Sawblade, 1.37mm, Fanned, 3M
7151-2905	Pro Saw Stryker 2000 Straight	Oscillating Sawblade, 1.37mm, Narrow, Stryker 2000
7151-2906	Pro Saw-Stry Old Style Str	Oscillating Sawblade, 1.37mm, Narrow, Stryker Ort
7151-2907	Pro Hall 1/2 Str Sawblade	Oscillating Sawblade, 1.37mm, Narrow, Hall 1/2

Catalog Item	Current description	Future description
7151-2908	Pro Sawblade 3M Straight	Oscillating Sawblade, 1.37mm, Narrow, 3M
111715	Richards Thin Blade Osteotom	Osteotome Blade, Thin, Richards
111716	Thin Osteotome Blade 12.5mm	Osteotome Blade, 12.5mm
111753	Thin Osteotome Blade 10mm	Osteotome Blade, 10mm
7151-2911	PROFIX Powerpro Sawblade	Oscillating Sawblade, 1.37mm, Fanned, Powerpro
7144-0397	GENESIS° II Stryker 2000 Fanned Sawblade	Oscillating Sawblade, 1.27mm, Fanned, Stryker 2000
7144-0382	I Hall Fanned Sawblade	Oscillating Sawblade, 1.27mm, Fanned, Hall
7144-0365	GENESIS II Powerpro Fanned Sawblade	Oscillating Sawblade, 1.27mm, Fanned, Powerpro
7144-0367	GENESIS II Powerpro Narrow Sawblade	Oscillating Sawblade, 1.27mm, Narrow, Powerpro

Sawblade Item Numbers and Conversion Chart

Catalog Item	Current Description	Future Description
7144-0374	GENESIS [®] II 3M Sawblade	Oscillating Sawblade, 1.27mm, Wide, 3M
7144-0375	GENESIS II New Stryker Sawblade	Oscillating Sawblade, 1.27mm, Wide, Stryker
7144-0378	GENESIS II Hall Sawblade	Oscillating Sawblade, 1.27mm, Wide, Hall
7144-0383	GENESIS II Small Zimmer Sawblade	Oscillating Sawblade, 1.27mm, Narrow, Hall
7144-0389	GENESIS II Sm New Stryker Sawbl	Oscillating Sawblade, 1.27mm, Narrow, Stryker
7144-0393	GENESIS II Powerpro Saw Blade	Oscillating Sawblade, 1.27mm, Wide, Powerpro
114542	New Attach Am/Hall Blade	Sawblade Attach, Am/Hall
114549	New Attach Stryker Blade	Sawblade Attach, Stryker
7144-1570	Strkr Recip Blade Double Sided	Reciprocating Blade Double Sided, Stryker
7144-1573	Strkr Recip Blade Single Sided	Reciprocating Blade Single Sided, Stryker
7144-1574	Hall Recip Blade Single Sided	Reciprocating Blade Single Sided, Hall

Femoral Implants

LEGION® HK Cemented Femoral Assemblies*

Size	Left	Right
3	7142-1373	7142-1363
4	7142-1374	7142-1364
5	7142-1375	7142-1365
7	7142-1377	7142-1367

Tibial Implants

LEGION HK Cemented Tibial Baseplate – Female tapered*

Size	Left	Right
2	7142-1302	7142-1902
3	7142-1303	7142-1903
4	7142-1304	7142-1904
5	7142-1305	7142-1905
7	7142-1307	7142-1907

Bolt and Sleeve Implants

LEGION HK Bolt and Sleeve

Length (mm)	
11	7142-1385
13	7142-1386
15	7142-1387
18	7142-1388
21	7142-1389

Inserts

LEGION HK Guided Motion (GM) Tibial Inserts

Thickness (mm)	Sizes 2-3, R	Sizes 4-5, R	Sizes 6* -7, R	Sizes 2-3, L	Sizes 4-5, L	Sizes 6* -7, L
11	7142-3342	7142-3353	7142-3364	7142-3341	7142-3352	7142-3363
13	7142-3344	7142-3355	7142-3366	7142-3343	7142-3354	7142-3365
15	7142-3346	7142-3357	7142-3368	7142-3345	7142-3356	7142-3367
18	7142-3348	7142-3359	7142-3371	7142-3347	7142-3358	7142-3369
21	7142-3351	7142-3362	7142-3373	7142-3349	7142-3361	7142-3372

*Size 6 femur and tibia are not available.

Femoral Wedges

LEGION® HK Distal Femoral Wedges

Thickness (mm)	Size 3	Size 4	Size 5	Size 7
5	7142-2153	7142-2156	7142-2159	7142-2166
10	7142-2154	7142-2157	7142-2161	7142-2167
15	7142-2155	7142-2158	7142-2162	7142-2168
20	7142-2103	7142-2104	7142-2105	7142-2107

Tibial Wedges

LEGION RK/HK Full-Stepped Tibial Wedges

Thickness (mm)	Size 1-2	Size 3-4	Size 5-6	Size 7
10	7142-3073	7142-3074	7142-3075	7142-3076
15	7142-3077	7142-3078	7142-3079	7142-3080

LEGION Screws

Catalog item	Description
7142-3097	Tibial Wedge Screw

Tibial Wedges

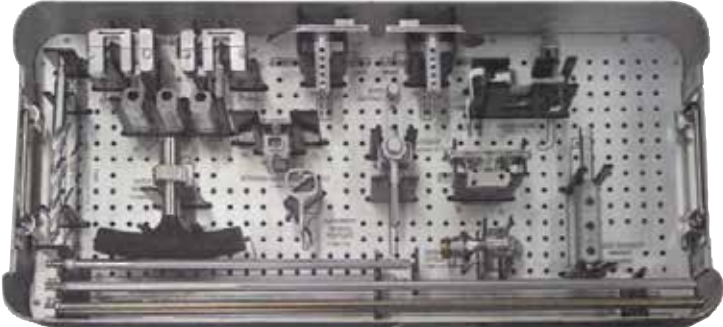
LEGION RK/HK Hemi-Stepped Tibial Wedge

Thickness (mm)	Size 1-2 LL/RM	Size 1-2 LM/RL	Size 3-4 LL/RM	Size 3-4 LM/RL	Size 5-6 LL/RM	Size 5-6 LM/RL	Size 7-8* LL/RM	Size 7-8* LM/RL
5	7142-3417	7142-3429	7142-3420	7142-3432	7142-3423	7142-3435	7142-3426	7142-3438
10	7142-3418	7142-3430	7142-3421	7142-3433	7142-3424	7142-3436	7142-3427	7142-3439
15	7142-3419	7142-3431	7142-3422	7142-3434	7142-3425	7142-3437	7142-3428	7142-3440

* LEGION HK: Size 8 femur and tibia are not available

GENESIS[®] II Instrumentation

Trays #7144-3106 ACF Femoral Instruments and #7144-1244 ACF MIS Femoral CR Blocks and Trials



Tray #7144-3106 ACF Femoral Instruments

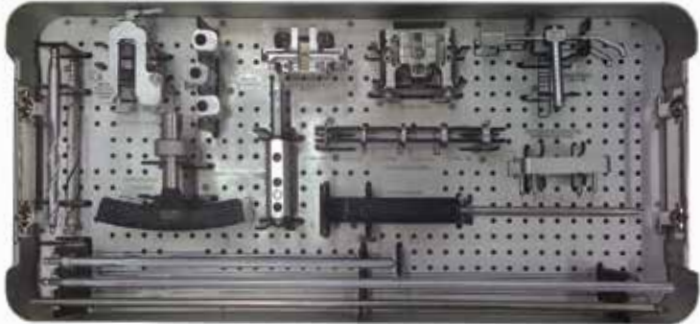
Catalog Item	Description
114861	Extramedullary Alignment Rod
7111-0080	Intramedullary Rod Modular T-Handle
7144-0002	Femoral Intramedullary Drill 9.5mm
7144-0004	Intramedullary Rod 16 inch
7144-0006	Intramedullary Rod 8 inch
7144-0014	Valgus Bushing 5°
7144-0016	Valgus Bushing 6°
7144-0018	Valgus Bushing 7°
7144-0044	Quick Connect Handles
7144-1111	GENESIS II Femoral Valgus Alignment Guide LT
7144-1112	GENESIS II Femoral Valgus Alignment Guide RT
7144-1113	GENESIS II Femoral Sizing Guide
7144-1115	GENESIS II Anterior Resection Stylus
7144-1116	GENESIS II Anterior Femoral Cutting Guide LT
7144-1117	GENESIS II Anterior Femoral Cutting Guide RT
7144-1118	GENESIS II Distal Femoral Cutting Block
7144-1141	GENESIS II Femoral Alignment Template
7144-1161	GENESIS II Distal Femoral Stylus
7144-1163	Rotation Alignment Paddles

Tray #7144-1244 ACF Cutting Blocks and Femoral Trials Sizes 3-8

Catalog Item	Description
7144-1121	ACF A/P Cutting Block, Size 3
7144-1122	ACF A/P Cutting Block, Size 4
7144-1123	ACF A/P Cutting Block, Size 5
7144-1124	ACF A/P Cutting Block, Size 6
7144-1125	ACF A/P Cutting Block, Size 7
7144-1126	ACF A/P Cutting Block, Size 8
7143-0020	Nonporous CR Femoral Trial, Size 3 Right
7143-0022	Nonporous CR Femoral Trial, Size 4 Right
7143-0024	Nonporous CR Femoral Trial, Size 5 Right
7143-0026	Nonporous CR Femoral Trial, Size 6 Right
7143-0028	Nonporous CR Femoral Trial, Size 7 Right
7143-0030	Nonporous CR Femoral Trial, Size 8 Right
7143-0004	Nonporous CR Femoral Trial, Size 3 Left
7143-0006	Nonporous CR Femoral Trial, Size 4 Left
7143-0008	Nonporous CR Femoral Trial, Size 5 Left
7143-0010	Nonporous CR Femoral Trial, Size 6 Left
7143-0012	Nonporous CR Femoral Trial, Size 7 Left
7143-0014	Nonporous CR Femoral Trial, Size 8 Left

GENESIS[®] II Instrumentation

Trays #7144-3108 DCF Femoral Instruments and #7144-1246 DCF Cutting Blocks and Femoral Trials Sizes 3-8



Tray #7144-3108 DCF Femoral Instruments

Catalog Item	Description
114861	Extramedullary Alignment Rod
7111-0080	Intramedullary Rod Modular T-Handle
7144-0002	Femoral Intramedullary Drill 9.5mm
7144-0004	Intramedullary Rod 16 inch
7144-0006	Intramedullary Rod 8 inch
7144-0014	Valgus Bushing 5°
7144-0016	Valgus Bushing 6°
7144-0018	Valgus Bushing 7°
7144-0044	Quick Connect Handles
115035	Hex Screwdriver
7144-1144	GENESIS® II DCF Alignment Guide
7144-1233	GENESIS II DCF Sizing Guide
7144-1147	GENESIS II Distal Femoral Cutting Block
7144-1140	Femoral Sizing Guide Stylus
7144-0860	Posterior Referencing Downsizing Shim
7144-1164	Sizing Guide Shim 1mm
7144-1165	Sizing Guide Shim 2mm
7144-1166	Sizing Guide Shim 3mm
7144-1167	Sizing Guide Shim 4mm
7144-1168	Sizing Guide Shim 5mm

Tray #7144-1246 DCF Cutting Blocks and Femoral Trials Sizes 3-8

Catalog Item	Description
7144-1151	DCF A/P Cutting Block, Size 3
7144-1152	DCF A/P Cutting Block, Size 4
7144-1153	DCF A/P Cutting Block, Size 5
7144-1154	DCF A/P Cutting Block, Size 6
7144-1155	DCF A/P Cutting Block, Size 7
7144-1156	DCF A/P Cutting Block, Size 8
7143-0020	Nonporous CR Femoral Trial, Size 3 Right
7143-0022	Nonporous CR Femoral Trial, Size 4 Right
7143-0024	Nonporous CR Femoral Trial, Size 5 Right
7143-0026	Nonporous CR Femoral Trial, Size 6 Right
7143-0028	Nonporous CR Femoral Trial, Size 7 Right
7143-0030	Nonporous CR Femoral Trial, Size 8 Right
7143-0004	Nonporous CR Femoral Trial, Size 3 Left
7143-0006	Nonporous CR Femoral Trial, Size 4 Left
7143-0008	Nonporous CR Femoral Trial, Size 5 Left
7143-0010	Nonporous CR Femoral Trial, Size 6 Left
7143-0012	Nonporous CR Femoral Trial, Size 7 Left
7143-0014	Nonporous CR Femoral Trial, Size 8 Left

GENESIS[®] II Instrumentation

Tray #7144-3112 Tibial Instruments Tray (Upper)

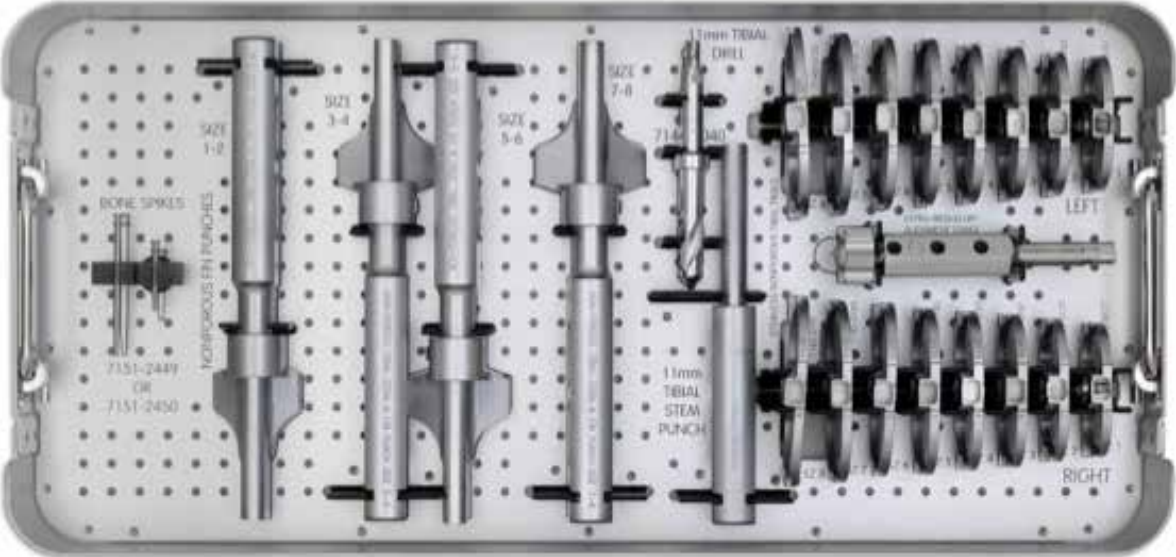


Tray #7144-3112 Tibial Instruments Tray (Top)

Catalog Item	Description
7144-0448	GENESIS [®] II Tibial Alignment Tube
7144-0198	GENESIS II Tibial Align Spiked Fix Rod
7144-0444	GENESIS II Adjustable Ankle Clamp
7144-0446	GENESIS II Nonspiked Fixation Rod
7144-1136	GENESIS II MIS Slit 3 MO Tibial Cutting Block Left
7144-1137	GENESIS II MIS Slit 3 MO Tibial Cutting Block Right
7144-0200	GENESIS II Intramedullary Tibial Alignment
7144-1143	GENESIS II MIS Tibial Stylus
7144-1148	GENESIS II MIS Tibial Block Align Rod

GENESIS[®] II Instrumentation

Tray #7144-3112 Tibial Instruments Tray (Bottom)



Tray #7144-3112 Tibial Instruments Tray (Bottom)

Catalog Item	Description
7144-9991	GENESIS [®] II NP Fin-Stem Punch Size 1-2
7144-9993	GENESIS II NP Fin-Stem Punch Size 3-4
7144-9995	GENESIS II NP Fin-Stem Punch Size 5-6
7144-9997	GENESIS II NP Fin-Stem Punch Size 7-8
7144-0040	GENESIS II 11mm Tibial Drill
7144-0262	GENESIS II Tibial Stem Punch 11mm
7143-0161	GENESIS II Stemless Tibial Trial Size 1 Left
7143-0163	GENESIS II Stemless Tibial Trial Size 2 Left
7143-0165	GENESIS II Stemless Tibial Trial Size 3 Left
7143-0167	GENESIS II Stemless Tibial Trial Size 4 Left
7143-0169	GENESIS II Stemless Tibial Trial Size 5 Left
7143-0171	GENESIS II Stemless Tibial Trial Size 6 Left
7143-0173	GENESIS II Stemless Tibial Trial Size 7 Left
7143-0175	GENESIS II Stemless Tibial Trial Size 8 Left
7144-0045	GENESIS II EM Alignment Tower
7143-0177	GENESIS II Stemless Tibial Trial Size 1 Right

Catalog Item	Description
7143-0179	GENESIS II Stemless Tibial Trial Size 2 Right
7143-0181	GENESIS II Stemless Tibial Trial Size 3 Right
7143-0183	GENESIS II Stemless Tibial Trial Size 4 Right
7143-0185	GENESIS II Stemless Tibial Trial Size 5 Right
7143-0187	GENESIS II Stemless Tibial Trial Size 6 Right
7143-0189	GENESIS II Stemless Tibial Trial Size 7 Right
7143-0191	GENESIS II Stemless Tibial Trial Size 8 Right

GENESIS[®] II Instrumentation

Tray #7144-1169 MIS PS Cutting Blocks and Femoral Trials



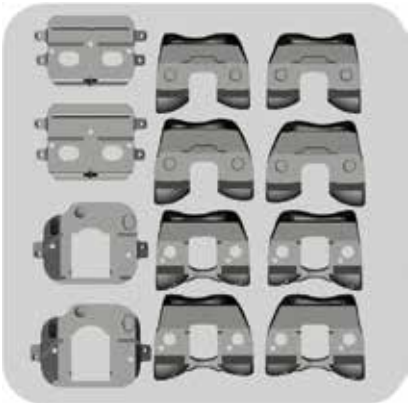
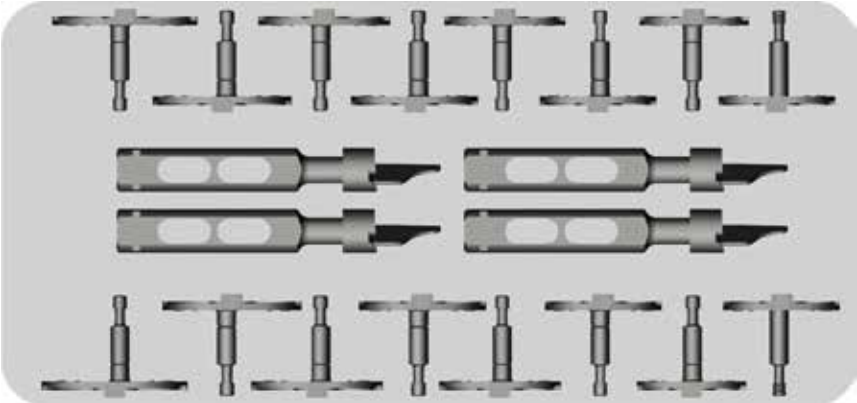
Tray #7144-1169 PS Cutting Blocks and Femoral Trials

Catalog Item	Description
7143-0100	PS Femoral Trial, Size 3 Left
7143-0102	PS Femoral Trial, Size 4 Left
7143-0104	PS Femoral Trial, Size 5 Left
7143-0106	PS Femoral Trial, Size 6 Left
7143-0108	PS Femoral Trial, Size 7 Left
7143-0110	PS Femoral Trial, Size 8 Left
7143-0116	PS Femoral Trial, Size 3 Right
7143-0118	PS Femoral Trial, Size 4 Right
7143-0120	PS Femoral Trial, Size 5 Right
7143-0122	PS Femoral Trial, Size 6 Right
7143-0124	PS Femoral Trial, Size 7 Right
7143-0126	PS Femoral Trial, Size 8 Right

Catalog Item	Description
7144-1203	PS Housing Resection Block, Size 3
7144-1204	PS Housing Resection Block, Size 4
7144-1205	PS Housing Resection Block, Size 5
7144-1206	PS Housing Resection Block, Size 6
7144-1207	PS Housing Resection Block, Size 7
7144-1208	PS Housing Resection Block, Size 8
7144-0373	PS Housing Chisel
7144-0145	Housing Reamer Dome
7144-0324	Reamer Shaft
7144-0464	Reamer Sleeve
7144-0467	PS Reamer Collet w/Thumbscrew

GENESIS[®] II Instrumentation

Tray #7144-3117 Stemmed Tibial Trials and Tray #7144-3115 ACF Femoral Trials Size 1-2



Tray #7144-3117 Stemmed Tibial Trials and Punches Sizes 1-8

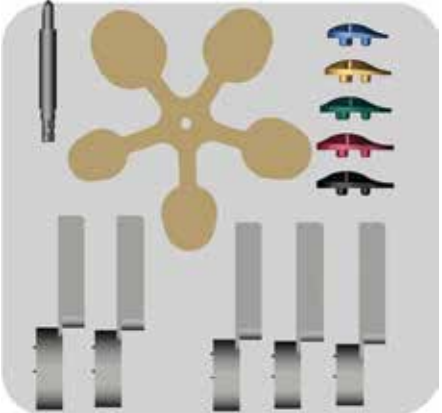
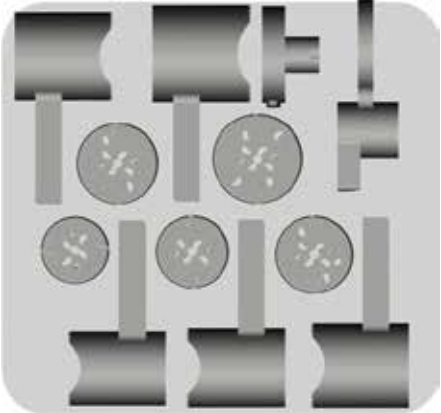
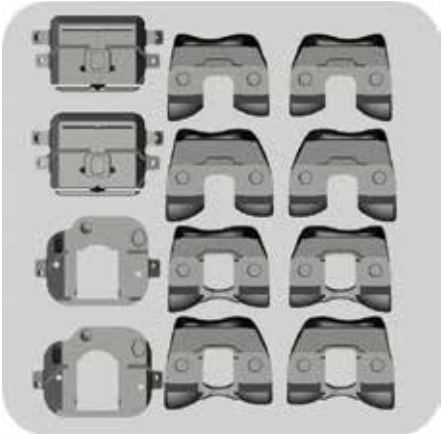
Catalog Item	Description
7143-0160	GENESIS [®] II Non-Por Tibial Trial Size 1 LT
7143-0162	GENESIS II Non-Por Tibial Trial Size 2 LT
7143-0164	GENESIS II Non-Por Tibial Trial Size 3 LT
7143-0166	GENESIS II Non-Por Tibial Trial Size 4 LT
7143-0168	GENESIS II Non-Por Tibial Trial Size 5 LT
7143-0170	GENESIS II Non-Por Tibial Trial Size 6 LT
7143-0172	GENESIS II Non-Por Tibial Trial Size 7 LT
7143-0174	GENESIS II Non-Por Tibial Trial Size 8 LT
7143-0176	GENESIS II Non-Por Tibial Trial Size 1 RT
7143-0178	GENESIS II Non-Por Tibial Trial Size 2 RT
7143-0180	GENESIS II Non-Por Tibial Trial Size 3 RT
7143-0182	GENESIS II Non-Por Tibial Trial Size 4 RT
7143-0184	GENESIS II Non-Por Tibial Trial Size 5 RT
7143-0186	GENESIS II Non-Por Tibial Trial Size 6 RT
7143-0188	GENESIS II Non-Por Tibial Trial Size 7 RT
7143-0190	GENESIS II Non-Por Tibial Trial Size 8 RT
7144-0264	GENESIS II Non-Por Tibial Fin Punch Sizes 1-2
7144-0266	GENESIS II Non-Por Tibial Fin Punch Sizes 3-4
7144-0268	GENESIS II Non-Por Tibial Fin Punch Sizes 5-6
7144-0270	GENESIS II Non-Por Tibial Fin Punch Sizes 7-8

Tray #7144-3115 ACF Cutting Blocks and Femoral Trials Sizes 1-2

Catalog Item	Description
7143-0000	GENESIS II C/R Fem Trial Size 1, Left
7143-0016	GENESIS II C/R Fem Trial Size 1, Right
7143-0096	GENESIS II PS Fem Trial Size 1, Left
7143-0112	GENESIS II PS Fem Trial Size 1, Right
7143-0002	GENESIS II C/R Fem Trial Size 2 Left
7143-0018	GENESIS II C/R Fem Trial Size 2 Right
7143-0098	GENESIS II PS Fem Trial Size 2 Left
7143-0114	GENESIS II PS Fem Trial Size 2 Right
7144-1119	GENESIS II MIS Cutting Block Size 1
7144-1120	GENESIS II MIS Cutting Block Size 2
7144-1201	GENESIS II MIS PS Cutting Block Size 1
7144-1202	GENESIS II MIS PS Cutting Block Size 2

GENESIS[◇] II Instrumentation

Trays #7144-3116 DCF Femoral Cutting Blocks/Trials Sizes 1-2, #7144-3104 Large Resurfacing Patella Instruments and #7144-3105 Oval Patella Instruments



Trays #7144-3116 DCF Cutting Blocks and Fem Trials

Catalog Item	Description
7143-0000	GENESIS [®] II C/R Fem Trial Size 1, Left
7143-0016	GENESIS II C/R Fem Trial Size 1, Right
7143-0096	GENESIS II PS Fem Trial Size 1, Left
7143-0112	GENESIS II PS Fem Trial Size 1, Right
7143-0002	GENESIS II C/R Fem Trial Size 2 Left
7143-0018	GENESIS II C/R Fem Trial Size 2 Right
7143-0098	GENESIS II PS Fem Trial Size 2 Left
7143-0114	GENESIS II PS Fem Trial Size 2 Right
7144-1149	GENESIS II MIS A/P Cutting Block Size 1
7144-1150	GENESIS II MIS A/P Cutting Block Size 2
7144-1201	GENESIS II MIS PS Cutting Block Sizes 1
7144-1202	GENESIS II MIS PS Cutting Block Sizes 2

#7144-3104 Large Resurfacing Patella Instruments

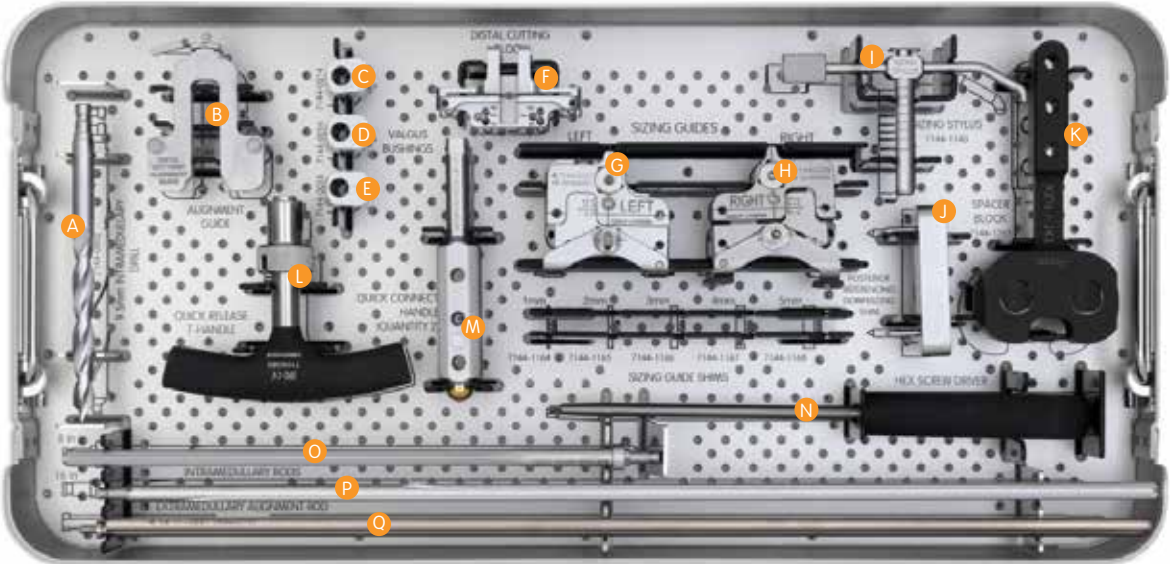
Catalog Item	Description
7144-0751	Resurfacing Reamer 38mm
7144-0752	Resurfacing Reamer 41mm
7144-0349	Resurfacing Reamer 44mm
7144-0753	Resurfacing Reamer 46mm
7144-0754	Resurfacing Reamer 51mm
7144-0427	Large Depth Stop
7144-0431	Large Depth Gauge
7144-0744	Patellar Reamer Collet 38mm
7144-0745	Patellar Reamer Collet 41mm
7144-0748	Patellar Reamer Collet 44mm
7144-0746	Patellar Reamer Collet 46mm
7144-0747	Patellar Reamer Collet 51mm

#7144-3105 Oval Patella Instruments

Catalog Item	Description
7144-0729	Oval Patellar Drill Guide 29mm
7144-0732	Oval Patellar Drill Guide 32mm
7144-0735	Oval Patellar Drill Guide 35mm
7144-0738	Oval Patellar Drill Guide 38mm
7144-0741	Oval Patellar Drill Guide 41mm
7143-0429	Oval Resurfacing Patellar Trial 29mm
7143-0432	Oval Resurfacing Patellar Trial 32mm
7143-0435	Oval Resurfacing Patellar Trial 35mm
7143-0438	Oval Resurfacing Patellar Trial 38mm
7143-0441	Oval Resurfacing Patellar Trial 41mm
7144-0842	Oval 5 Point Sizing Guide
7144-0743	Oval Patellar Peg Drill

LEGION^o CR and PS Trays

Tray #7144-1260 DCF Femoral Instruments

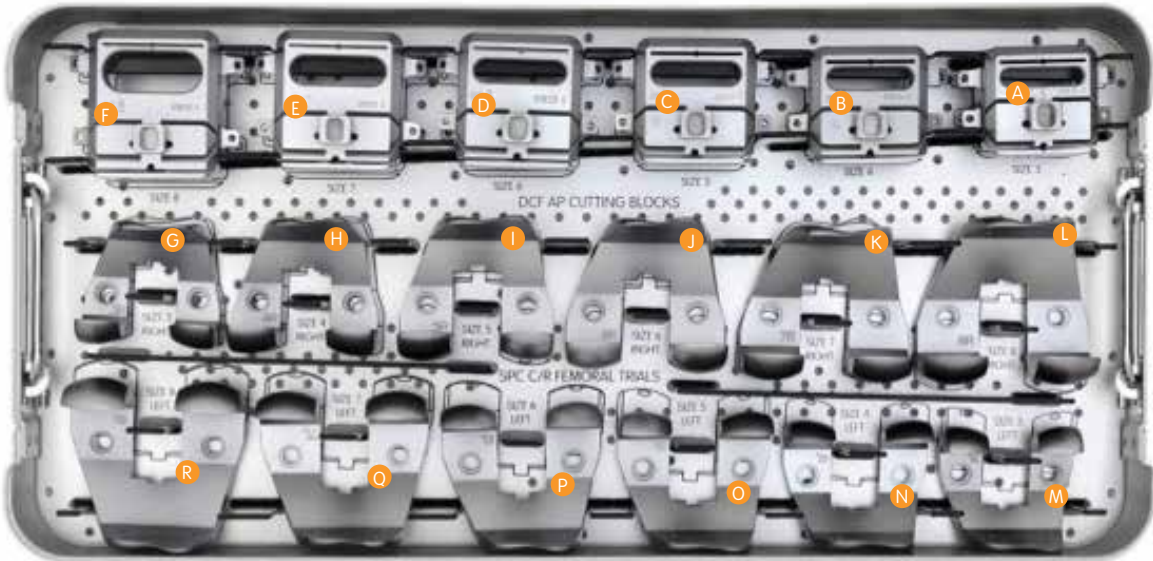


Tray #7144-1260 DCF Femoral Instruments

Catalog Item	Description	Ref.
7144-0002	GENESIS [®] II Fem Drill 9.5mm	A
7144-1144	GENESIS II Mis DCF Align Guide	B
7144-0014	GENESIS II Fem 5° Valgus Bushing	C
7144-0016	GENESIS II Fem 6° Valgus Bushing	D
7144-0018	GENESIS II Fem 7° Valgus Bushing	E
7144-1147	GENESIS II MIS DCF Distal Cutting Block	F
7144-0007	GENESIS II DCF Variable Size Guide Left	G
7144-0008	GENESIS II DCF Variable Size Guide Right	H
7144-1140	GENESIS II MIS DCF Sizing Stylus	I
7144-0860	GENESIS II P/R Downsizing Shim	J
7144-1265	LEGION [®] CR&PS Primary Spacer Block	K
7111-0080	Quick Release T-Handle	L
7144-0044	GENESIS II Quick Connect Handle	M
115035	Hex Screwdriver	N
7144-0006	GENESIS II Short I/M Rod 8 Inch	O
7144-0004	GENESIS II Long I/M Rod 16 Inch	P
114861	Extramedullary Alignment Rod	Q

LEGION^o CR and PS Trays

Tray #7144-1259 DCF Cutting Blocks and Ream-Through Femoral Trials



Tray #7144-1259 DCF Cutting Blocks and Ream-Through Femoral Trials

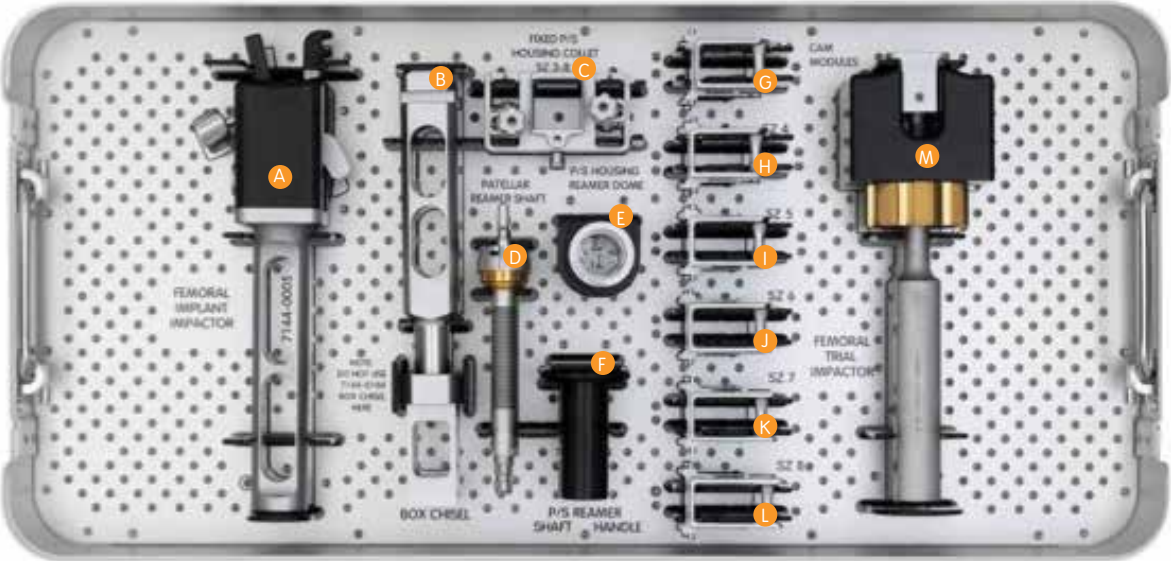
Catalog Item	Description	Ref.
7144-1151	GENESIS [®] II MIS DCF A/P Cutting Block 3	A
7144-1152	GENESIS II MIS DCF A/P Cutting Block 4	B
7144-1153	GENESIS II MIS DCF A/P Cutting Block 5	C
7144-1154	GENESIS II MIS DCF A/P Cutting Block 6	D
7144-1155	GENESIS II MIS DCF A/P Cutting Block 7	E
7144-1156	GENESIS II MIS DCF A/P Cutting Block 8	F
7143-3353	Ream-through Trial, Size 3 Right	G
7143-3354	Ream-through Trial, Size 4 Right	H
7143-3355	Ream-through Trial, Size 5 Right	I
7143-3356	Ream-through Trial, Size 6 Right	J
7143-3357	Ream-through Trial, Size 7 Right	K
7143-3358	Ream-through Trial, Size 8 Right	L
7143-3343	Ream-through Trial, Size 3 Left	M
7143-3344	Ream-through Trial, Size 4 Left	N
7143-3345	Ream-through Trial, Size 5 Left	O
7143-3346	Ream-through Trial, Size 6 Left	P
7143-3347	Ream-through Trial, Size 7 Left	Q
7143-3348	Ream-through Trial, Size 8 Left	R

Tray #7144-1501 Cutting Blocks and Ream-Through Femoral Trials Size 2

Catalog Item	Description	Qty.	Ref.
7143-3342	Ream-through Fem Trial, Size 2 Left	1	Not in tray
7143-3352	Ream-through Fem Trial, Size 2 Right	1	Not in tray
7144-1120	GENESIS II MIS ACF A/P Cutting Block 2	1	Not in tray
7144-1150	GENESIS II MIS DCF A/P Cutting Block 2	1	Not in tray
7144-3362	LEGION [®] PS Cam Module Size 2	1	Not in tray
7144-0003	PS Housing Collet Size 2	1	Not in tray

LEGION^o CR and PS Trays

Tray #7143-4140 PS Ream-Through Femoral Instruments

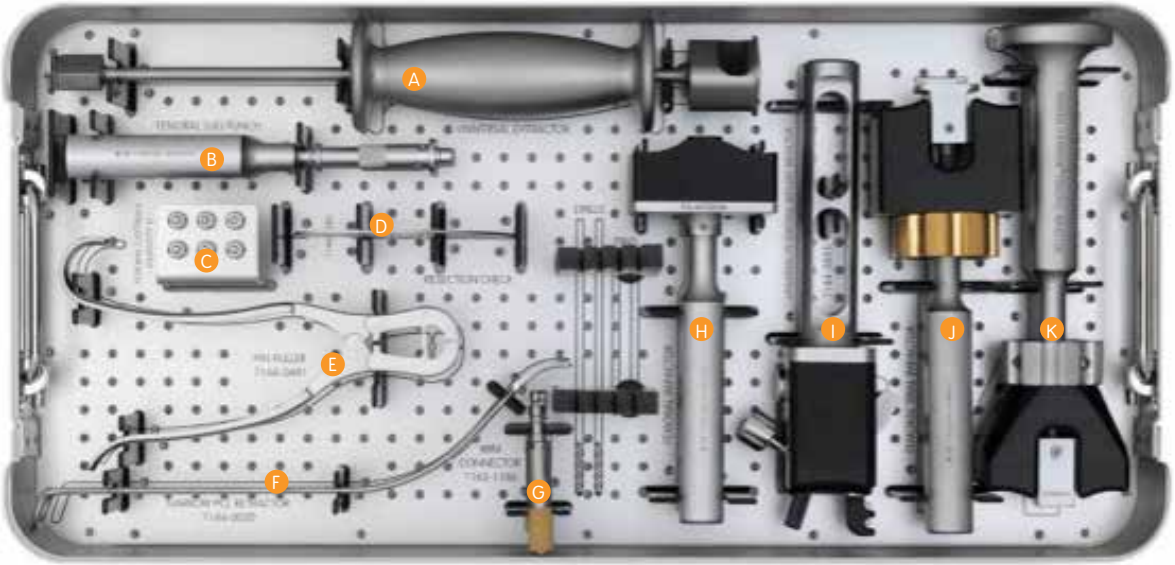


Tray #7143-4140 PS Ream-Through Femoral Instruments

Catalog Item	Description	Ref.
7144-0005	Femoral Implant Impactor	A
7144-0373	Box Chisel	B
7144-0001	PS Housing Collet Size 3-8	C
7144-0324	GENESIS [®] II Patellar Reamer Shaft	D
7144-0145	GENESIS II PS Cons Housing Ream Dome	E
7144-0464	GENESIS II PS Reamer Shaft Handle	F
7143-3363	LEGION [®] PS Cam Module Size 3	G
7143-3364	LEGION PS Cam Module Size 4	H
7143-3365	LEGION PS Cam Module Size 5	I
7143-3366	LEGION PS Cam Module Size 6	J
7143-3367	LEGION PS Cam Module Size 7	K
7143-3368	LEGION PS Cam Module Size 8	L
7144-0009	Femoral Trial Impactor	M

LEGION[®] CR and PS Trays

Tray #7144-3101 Femoral Miscellaneous Instruments



Tray #7144-3101 Femoral Miscellaneous Instruments

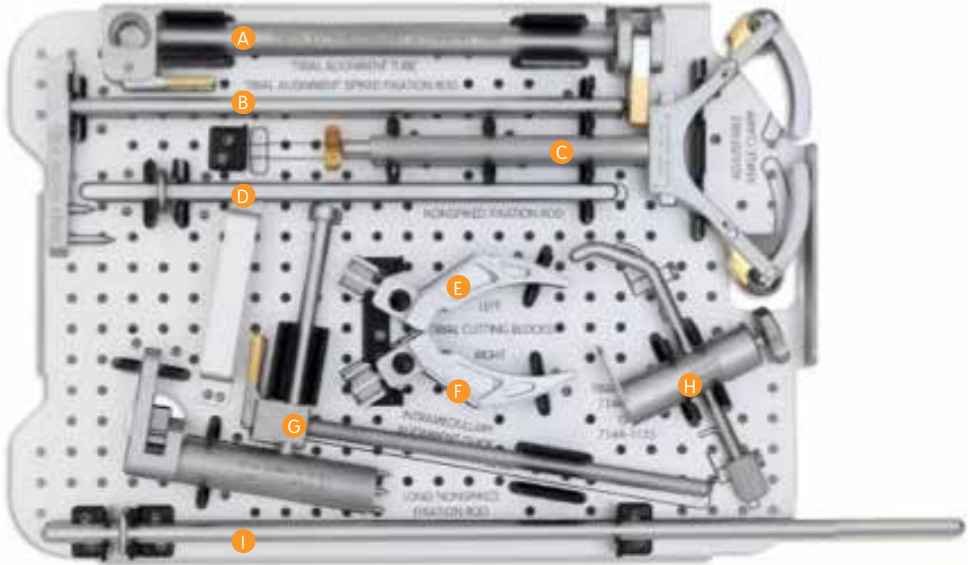
Catalog Item	Description	Ref.
7144-0366	GENESIS [®] II Universal Extractor	A
7144-0183	GENESIS II Femoral Lug Punch	B
7143-0864	GENESIS II Femoral Lug Trial	C
7144-0380	GENESIS II Resection Check	D
7144-0491	Pin Puller	E
7144-0020	GENESIS II Narrow PCL Retractor	F
7163-1186	Mini Connector	G
7144-0190	GENESIS II Femoral Impactor	H
7144-0895	Universal GENESIS II Femoral Impactor (CoCr & OXINIUM [®] material)	I
7144-0468	Femoral Trial Impactor	J
7144-0890	GENESIS II OXINIUM Femoral Impactor	K

Tray #7144-3102 Tibial Miscellaneous Instruments

Catalog Item	Description	Ref.
7144-1552	GENESIS [®] II PS Hi Flex Impactor Handle	A
7144-1553	GENESIS II PS Hi Flex Impactor Head 1-2	B
7144-1554	GENESIS II PS Hi Flex Impactor Head 3-8	C
7144-0192	GENESIS II Tibial Base Impactor	D
7144-0194	GENESIS II Articulating Inserter/Extractor	E
7144-0288	GENESIS II Spacer Plate, 11mm	F
7144-0290	GENESIS II Spacer Plate, 13mm	G
7144-0292	GENESIS II Spacer Plate, 15mm	H
7144-0294	GENESIS II Spacer Plate, 18mm	I
7144-0296	GENESIS II Spacer Plate, 21mm	J
7144-0298	GENESIS II Spacer Plate, 25mm	K
7144-0828	GENESIS II Primary Flex-Exten Spacer Block	L

LEGION[®] CR and PS Trays

Tray #7144-3112 Tibial Instruments Tray (Top)

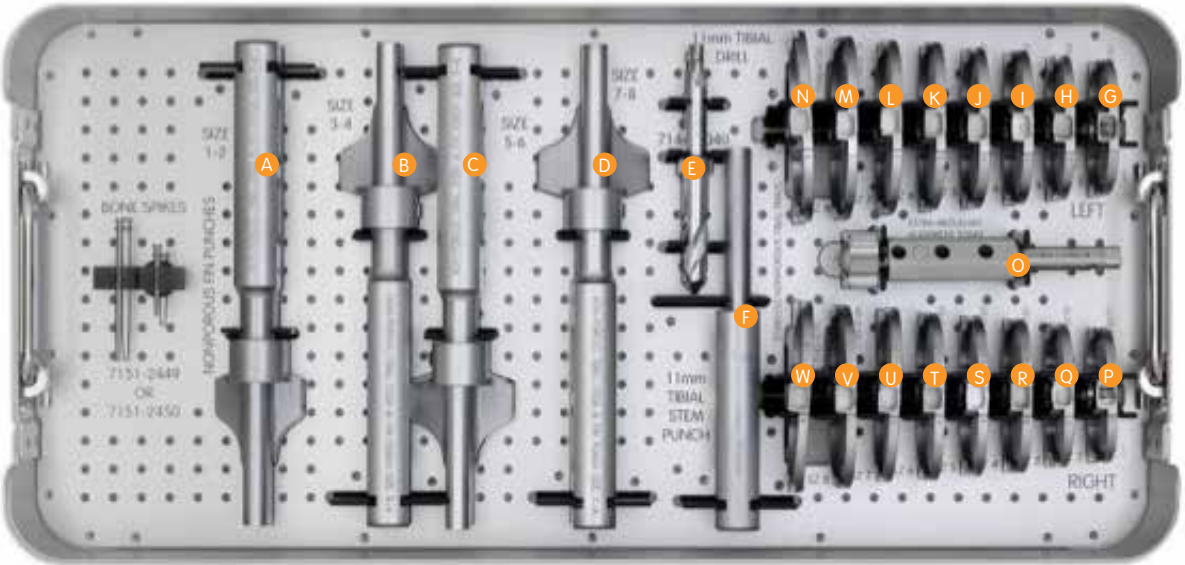


Tray #7144-3112 Tibial Instruments Tray (Top)

Catalog Item	Description	Ref.
7144-0448	GENESIS [®] II Tibial Alignment Tube	A
7144-0198	GENESIS II Tibial Alignment Spiked Fix Rod	B
7144-0444	GENESIS II Adjustable Ankle Clamp	C
7144-0446	GENESIS II Nonspiked Fixation Rod	D
7144-1136	GENESIS II MIS Slit 3 MO Tibial Cutting Block Left	E
7144-1137	GENESIS II MIS Slit 3 MO Tibial Cutting Block Right	F
7144-0200	GENESIS II Intramedullary Tibial Alignment	G
7144-1143	GENESIS II MIS Tibial Stylus	H
7144-1148	GENESIS II MIS Tibial Long Nonspiked Fixation Rod	I

LEGION[®] CR and PS Trays

Tray #7144-3112 Tibial Instruments Tray (Bottom)



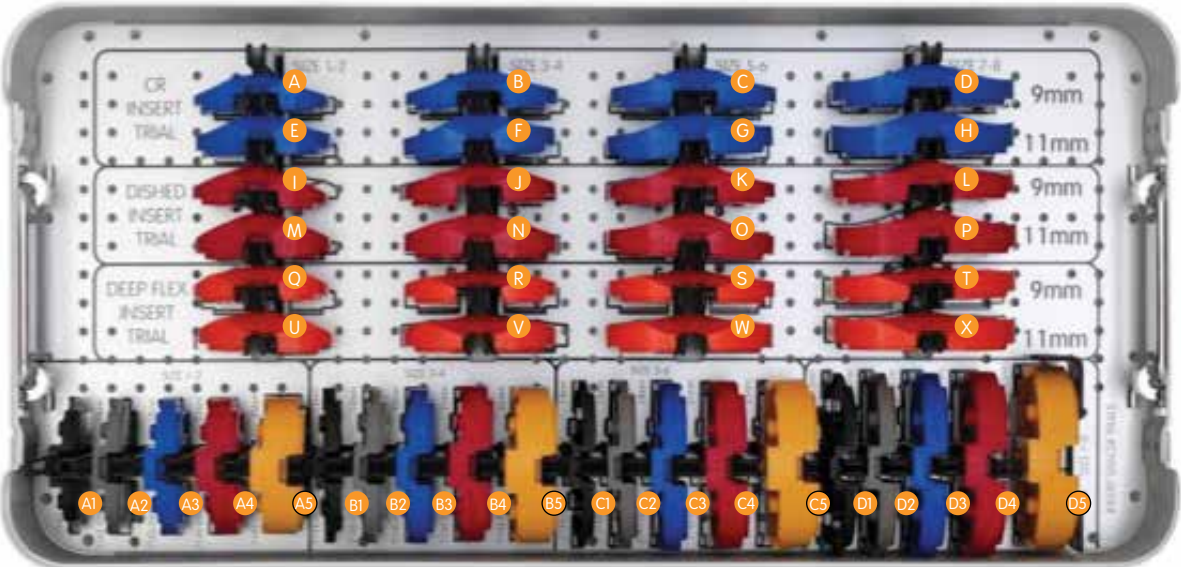
Tray #7144-3112 Tibial Instruments Tray (Bottom)

Catalog Item	Description	Ref.
7144-9991	GENESIS [®] II NP Fin-Stm Punch Size 1-2	A
7144-9993	GENESIS II NP Fin-Stem Punch Size 3-4	B
7144-9995	GENESIS II NP Fin-Stem Punch Size 5-6	C
7144-9997	GENESIS II NP Fin-Stem Punch Size 7-8	D
7144-0040	GENESIS II 11mm Tibial Drill	E
7144-0262	GENESIS II Tibial Stem Punch 11mm	F
7143-0161	GENESIS II Stemless Tibial Trial Size 1 Left	G
7143-0163	GENESIS II Stemless Tibial Trial Size 2 Left	H
7143-0165	GENESIS II Stemless Tibial Trial Size 3 Left	I
7143-0167	GENESIS II Stemless Tibial Trial Size 4 Left	J
7143-0169	GENESIS II Stemless Tibial Trial Size 5 Left	K
7143-0171	GENESIS II Stemless Tibial Trial Size 6 Left	L
7143-0173	GENESIS II Stemless Tibial Trial Size 7 Left	M
7143-0175	GENESIS II Stemless Tibial Trial Size 8 Left	N
7144-0045	GENESIS II EM Alignment Tower	O
7143-0177	GENESIS II Stemless Tibial Trial Size 1 Right	P

Catalog Item	Description	Ref.
7143-0179	GENESIS II Stemless Tibial Trial Size 2 Right	Q
7143-0181	GENESIS II Stemless Tibial Trial Size 3 Right	R
7143-0183	GENESIS II Stemless Tibial Trial Size 4 Right	S
7143-0185	GENESIS II Stemless Tibial Trial Size 5 Right	T
7143-0187	GENESIS II Stemless Tibial Trial Size 6 Right	U
7143-0189	GENESIS II Stemless Tibial Trial Size 7 Right	V
7143-0191	GENESIS II Stemless Tibial Trial Size 8 Right	W

LEGION[®] CR and PS Trays

Tray #7144-3113 CR Tibial Insert Trials



Tray #7144-3113 CR Tibial Insert Trials

Catalog Item	Description	Ref.
7143-0880	GENESIS [®] II CR Articulating Trial Sizes 1-2 9mm	A
7143-0490	GENESIS II CR Articulating Trial Sizes 3-4 9mm	B
7143-0500	GENESIS II CR Articulating Trial Sizes 5-6 9mm	C
7143-0510	GENESIS II CR Articulating Trial Sizes 7-8 9mm	D
7143-0882	GENESIS II CR Articulating Trial Sizes 1-2 11mm	E
7143-0492	GENESIS II CR Articulating Trial Sizes 3-4 11mm	F
7143-0502	GENESIS II CR Articulating Trial Sizes 5-6 11mm	G
7143-0512	GENESIS II CR Articulating Trial Sizes 7-8 11mm	H
7143-0454	GENESIS II Dish Articulating Trial Sizes 1-2 9mm	I
7143-0766	GENESIS II Dish Articulating Trial Sizes 3-4 9mm	J
7143-0778	GENESIS II Dish Articulating Trial Sizes 5-6 9mm	K
7143-0789	GENESIS II Dish Articulating Trial Sizes 7-8 9mm	L
7143-0456	GENESIS II Dish Articulating Trial Sizes 1-2 11mm	M
7143-0768	GENESIS II Dish Articulating Trial Sizes 3-4 11mm	N
7143-0780	GENESIS II Dish Articulating Trial Sizes 5-6 11mm	O
7143-0791	GENESIS II Dish Articulating Trial Sizes 7-8 11mm	P
7143-0442	GENESIS II CR Deep Flex Insert Trial Sizes 1-2 9mm	Q
7143-0444	GENESIS II CR Deep Flex Insert Trial Sizes 3-4 9mm	R
7143-0446	GENESIS II CR Deep Flex Insert Trial Sizes 5-6 9mm	S
7143-0448	GENESIS II CR Deep Flex Insert Trial Sizes 7-8 9mm	T
7143-0443	GENESIS II CR Deep Flex Insert Trial Sizes 1-2 11mm	U
7143-0445	GENESIS II CR Deep Flex Insert Trial Sizes 3-4 11mm	V

Catalog Item	Description	Ref.
7143-0447	GENESIS II CR Deep Flex Insert Trial Sizes 5-6 11mm	W
7143-0449	GENESIS II CR Deep Flex Insert Trial Sizes 7-8 11mm	X
7143-0324	GENESIS II Articulating Insert Spacer Trial 1-2 13mm	A1
7143-0332	GENESIS II Articulating Insert Spacer Trial 1-2 15mm	A2
7143-0340	GENESIS II Articulating Insert Spacer Trial 1-2 18mm	A3
7143-0348	GENESIS II Articulating Insert Spacer Trial 1-2 21mm	A4
7143-0356	GENESIS II Articulating Insert Spacer Trial 1-2 25mm	A5
7143-0226	GENESIS II Insert Spacer Trial Sizes 3-4 13mm	B1
7143-0234	GENESIS II Insert Spacer Trial Sizes 3-4 15mm	B2
7143-0242	GENESIS II Insert Spacer Trial Sizes 3-4 18mm	B3
7143-0250	GENESIS II Insert Spacer Trial Sizes 3-4 21mm	B4
7143-0258	GENESIS II Insert Spacer Trial Sizes 3-4 25mm	B5
7143-0228	GENESIS II Insert Spacer Trial Sizes 5-6 13mm	C1
7143-0236	GENESIS II Insert Spacer Trial Sizes 5-6 15mm	C2
7143-0244	GENESIS II Insert Spacer Trial Sizes 5-6 18mm	C3
7143-0252	GENESIS II Insert Spacer Trial Sizes 5-6 21mm	C4
7143-0260	GENESIS II Insert Spacer Trial Sizes 5-6 25mm	C5
7143-0230	GENESIS II Insert Spacer Trial Sizes 7-8 13mm	D1
7143-0238	GENESIS II Insert Spacer Trial Sizes 7-8 15mm	D2
7143-0246	GENESIS II Insert Spacer Trial Sizes 7-8 18mm	D3
7143-0254	GENESIS II Insert Spacer Trial Sizes 7-8 21mm	D4
7143-0262	GENESIS II Insert Spacer Trial Sizes 7-8 25mm	D5

LEGION[®] CR and PS Trays

Tray #7144-3111 PS Tibial Insert Trials



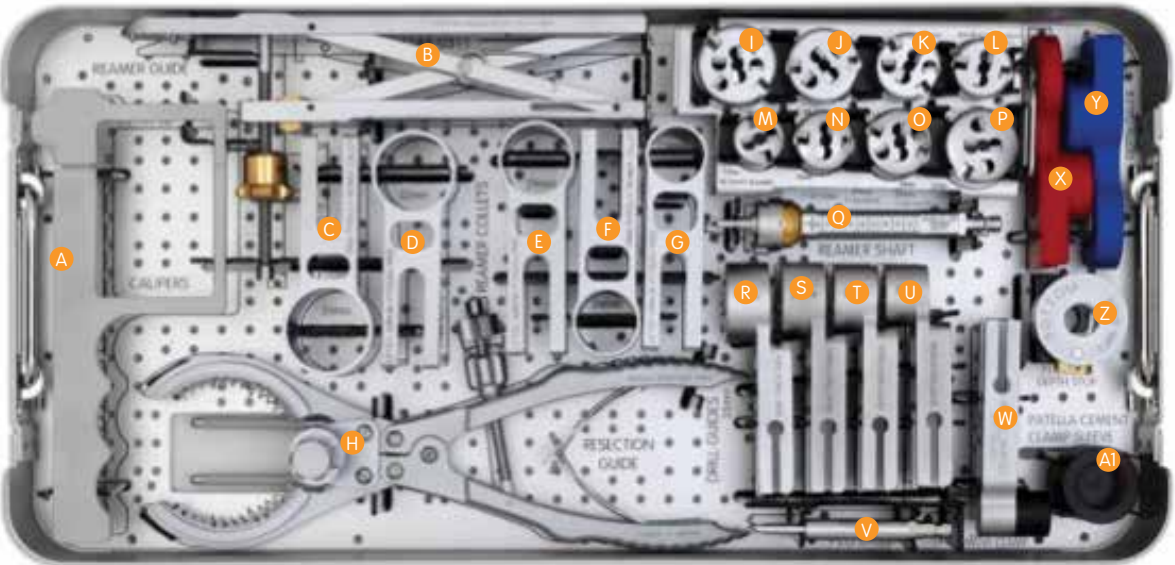
Tray #7144-3111 PS Tibial Insert Trials

Catalog Item	Description
7143-0901	Posterior-Stabilized Articular Trial Sizes 1-2 9mm
7143-0815	Posterior-Stabilized Articular Trial Sizes 3-4 9mm
7143-0829	Posterior-Stabilized Articular Trial Sizes 5-6 9mm
7143-0844	Posterior-Stabilized Articular Trial Sizes 7-8 9mm
7143-0903	Posterior-Stabilized Articular Trial Sizes 1-2 11mm
7143-0817	Posterior-Stabilized Articular Trial Sizes 3-4 11mm
7143-0831	Posterior-Stabilized Articular Trial Sizes 5-6 11mm
7143-0846	Posterior-Stabilized Articular Trial Sizes 7-8 11mm
7144-0471	Constrained Articular Trial Sizes 1-2 9mm
7144-0473	Constrained Articular Trial Sizes 3-4 9mm
7144-0475	Constrained Articular Trial Sizes 5-6 9mm
7144-0477	Constrained Articular Trial Sizes 7-8 9mm
7143-0962	Constrained Articular Trial Sizes 1-2 11mm
7143-0524	Constrained Articular Trial Sizes 3-4 11mm
7143-0538	Constrained Articular Trial Sizes 5-6 11mm
7143-0552	Constrained Articular Trial Sizes 7-8 11mm
7143-0401	PS Hi-Flex Trial Sizes 1-2 9mm
7143-0408	PS Hi-Flex Trial Sizes 3-4 9mm
7143-0415	PS Hi-Flex Trial Sizes 5-6 9mm
7143-0422	PS Hi-Flex Trial Sizes 7-8 9mm
7143-0402	PS Hi-Flex Trial Sizes 1-2 11mm
7143-0409	PS Hi-Flex Trial Sizes 3-4 11mm

Catalog Item	Description
7143-0416	PS Hi-Flex Trial Sizes 5-6 11mm
7143-0423	PS Hi-Flex Trial Sizes 7-8 11mm
7143-0324	Insert Spacer Sizes 1-2 13mm
7143-0332	Insert Spacer Sizes 1-2 15mm
7143-0340	Insert Spacer Sizes 1-2 18mm
7143-0348	Insert Spacer Sizes 1-2 21mm
7143-0356	Insert Spacer Sizes 1-2 25mm
7143-0226	Insert Spacer Sizes 3-4 13mm
7143-0234	Insert Spacer Sizes 3-4 15mm
7143-0242	Insert Spacer Sizes 3-4 18mm
7143-0250	Insert Spacer Sizes 3-4 21mm
7143-0258	Insert Spacer Sizes 3-4 25mm
7143-0228	Insert Spacer Sizes 5-6 13mm
7143-0236	Insert Spacer Sizes 5-6 15 mm
7143-0244	Insert Spacer Sizes 5-6 18 mm
7143-0252	Insert Spacer Sizes 5-6 21 mm
7143-0260	Insert Spacer Sizes 5-6 25 mm
7143-0230	Insert Spacer Sizes 7-8 13mm
7143-0238	Insert Spacer Sizes 7-8 15 mm
7143-0246	Insert Spacer Sizes 7-8 18 mm
7143-0254	Insert Spacer Sizes 7-8 21 mm
7143-0262	Insert Spacer Sizes 7-8 25 mm

LEGION[®] CR and PS Trays

Tray #7144-3103 Universal Patellar Instruments



Tray #7144-3103 Universal Patellar Instruments

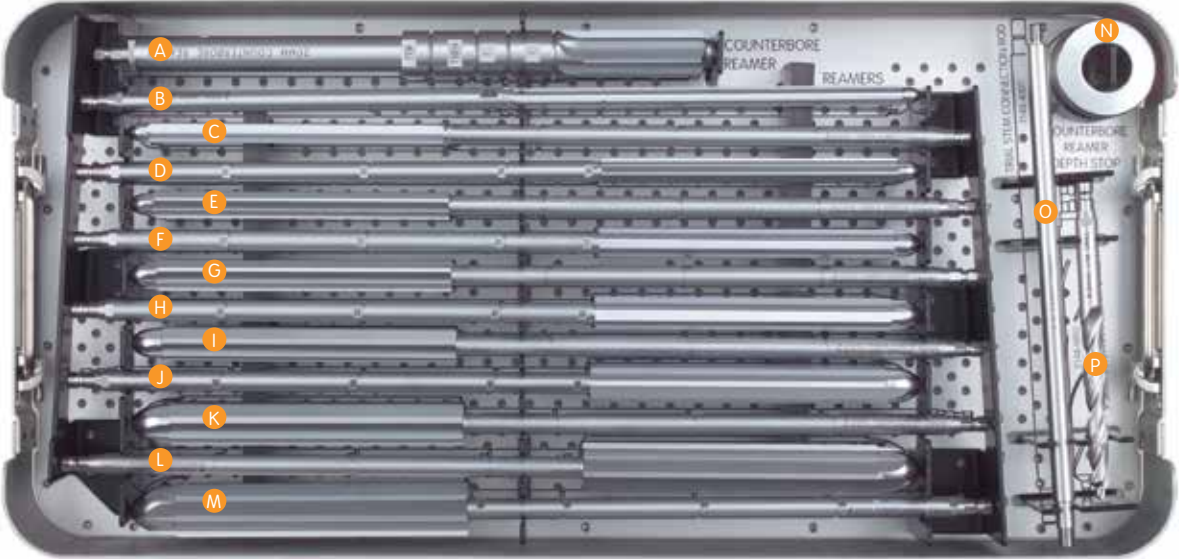
Catalog Item	Description	Ref.
114943	GENESIS [®] II Caliper	A
7144-0311	GENESIS II Mod Pat Reamer Guide	B
7144-0518	GENESIS II Ser Pat Reamer Collet 35mm	C
7144-0516	GENESIS II Ser Pat Reamer Collet 32mm	D
7144-0514	GENESIS II Ser Pat Reamer Collet 29mm	E
7144-0512	GENESIS II Ser Pat Reamer Collet 26mm	F
7144-0510	GENESIS II Ser Pat Reamer Collet 23mm	G
7144-0391	Patella Resection Guide	H
7144-0346	GENESIS II 35mm Resurface Reamer	I
7144-0344	GENESIS II 32mm Resurface Reamer	J
7144-0342	GENESIS II 29mm Resurface Reamer	K
7144-0348	GENESIS II 26mm Resurface Reamer	L
7144-0634	GENESIS II Mod Biconvex Pat Reamer 23mm	M
7144-0636	GENESIS II Mod Biconvex Pat Reamer 26mm	N
7144-0638	GENESIS II Mod Biconvex Pat Reamer 29mm	O
7144-0640	GENESIS II Mod Biconvex Pat Reamer 32mm	P
7144-0324	GENESIS II Patellar Reamer Shaft	Q
7144-0405	GENESIS II Mod Resur Pat Drill Guide 35mm	R

Catalog Item	Description	Ref.
7144-0404	GENESIS II Mod Resur Pat Drill Guide 32mm	S
7144-0403	GENESIS II Mod Resur Pat Drill Guide 29mm	T
7144-0402	GENESIS II Mod Resur Pat Drill Guide 26mm	U
7144-0360	GENESIS II Resurfacing Pat Drill	V
7144-0322	GENESIS II Patellar Cement Clamp	W
7144-0330	GENESIS II Resurf Depth Gauge	X
7144-0328	GENESIS II Biconvex Depth Gauge	Y
7144-0326	GENESIS II Patellar Depth Stop	Z
7144-0474	GENESIS II Pat Cmt Clmp Sleeve	A1
7143-0580	GENESIS II Resurf Pat Trial 26mm	NS*
7143-0574	GENESIS II Resurf Pat Trial 29mm	NS
7143-0576	GENESIS II Resurf Pat Trial 32mm	NS
7143-0578	GENESIS II Resurf Pat Trial 35mm	NS
7143-0566	GENESIS II Biconvex Pat Trial 23mm	NS
7143-0568	GENESIS II Biconvex Pat Trial 26mm	NS
7143-0570	GENESIS II Biconvex Pat Trial 29mm	NS
7143-0572	GENESIS II Biconvex Pat Trial 32mm	NS

*NS = Not Shown in picture

LEGION[®] RK Trays

Case 1 – Tray #7143-4121 Reamers Tray, (Upper) – Total Case Weight: 31 lb (14.1 kg)



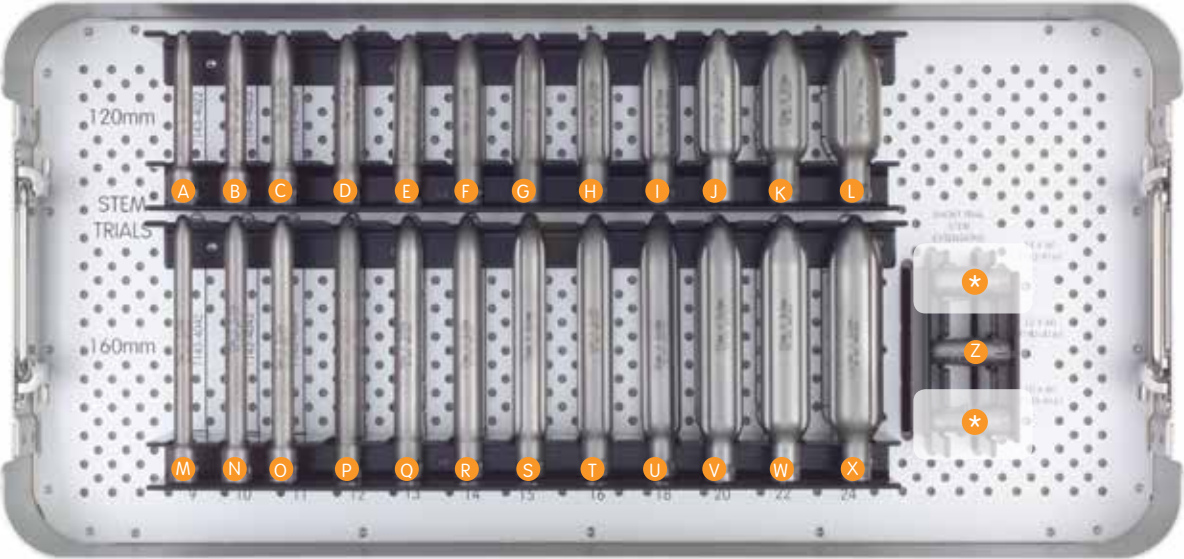
Tray #7143-4121 Reamers Tray (Upper)

Catalog Item	Description	Ref.
7143-4308	Stem Counterbore Reamer	A
7143-4309	9mm Reamer	B
7143-4310	10mm Reamer	C
7143-4311	11mm Reamer	D
7143-4312	12mm Reamer	E
7143-4313	13mm Reamer	F
7143-4314	14mm Reamer	G
7143-4315	15mm Reamer	H
7143-4316	16mm Reamer	I

Catalog Item	Description	Ref.
7143-4318	18mm Reamer	J
7143-4320	20mm Reamer	K
7143-4322	22mm Reamer	L
7143-4324	24mm Reamer	M
7143-4451	Counterbore Reamer Depth Stop	N
7143-4317	Trial Stem Connection Rod	O
7144-0002	9.5mm Drill	P

LEGION^o RK Trays

Case 1 – Tray #7143-4122 – 120 and 160mm Stem Trials Tray (Lower)



* These parts have been discontinued

Tray #7143-4122 – 120 and 160mm Stem Trials Tray (Lower)

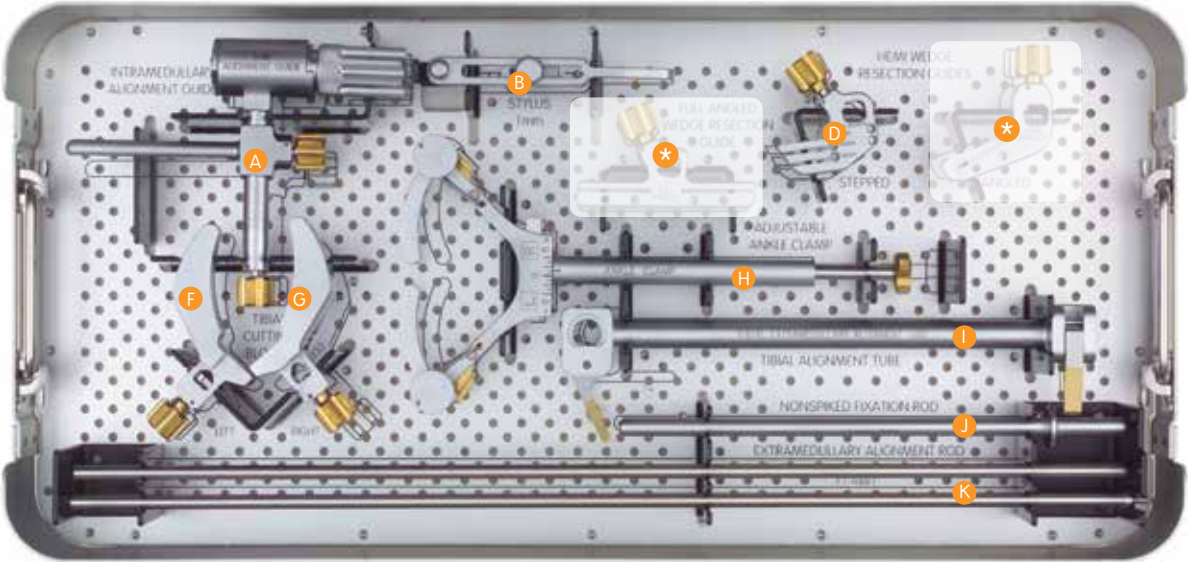
Catalog Item	Description	Ref.
7143-4022	Stem Trial, 9mm x 120mm	A
7143-4023	Stem Trial, 10mm x 120mm	B
7143-4024	Stem Trial, 11mm x 120mm	C
7143-4025	Stem Trial, 12mm x 120mm	D
7143-4026	Stem Trial, 13mm x 120mm	E
7143-4027	Stem Trial, 14mm x 120mm	F
7143-4028	Stem Trial, 15mm x 120mm	G
7143-4029	Stem Trial, 16mm x 120mm	H
7143-4031	Stem Trial, 18mm x 120mm	I
7143-4033	Stem Trial, 20mm x 120mm	J
7143-4035	Stem Trial, 22mm x 120mm	K
7143-4037	Stem Trial, 24mm x 120mm	L
7143-4042	Stem Trial, 9mm x 160mm	M
7143-4043	Stem Trial, 10mm x 160mm	N
7143-4044	Stem Trial, 11mm x 160mm	O

Catalog Item	Description	Ref.
7143-4045	Stem Trial, 12mm x 160mm	P
7143-4046	Stem Trial, 13mm x 160mm	Q
7143-4047	Stem Trial, 14mm x 160mm	R
7143-4048	Stem Trial, 15mm x 160mm	S
7143-4049	Stem Trial, 16mm x 160mm	T
7143-4051	Stem Trial, 18mm x 160mm	U
7143-4053	Stem Trial, 20mm x 160mm	V
7143-4055	Stem Trial, 22mm x 160mm	W
7143-4057	Stem Trial, 24mm x 160mm	X
7143-4163	Stem Extension, 12mm x 80mm	Z

Note: Stem tray is designed for up to two stems per slot for 12-18mm diameter stems.

LEGION^o RK Trays

Case 2 – Tray #7143-4127 Tibial Instruments Tray (Upper) – Total Case Weight: 24 lb (10.8 Kg)



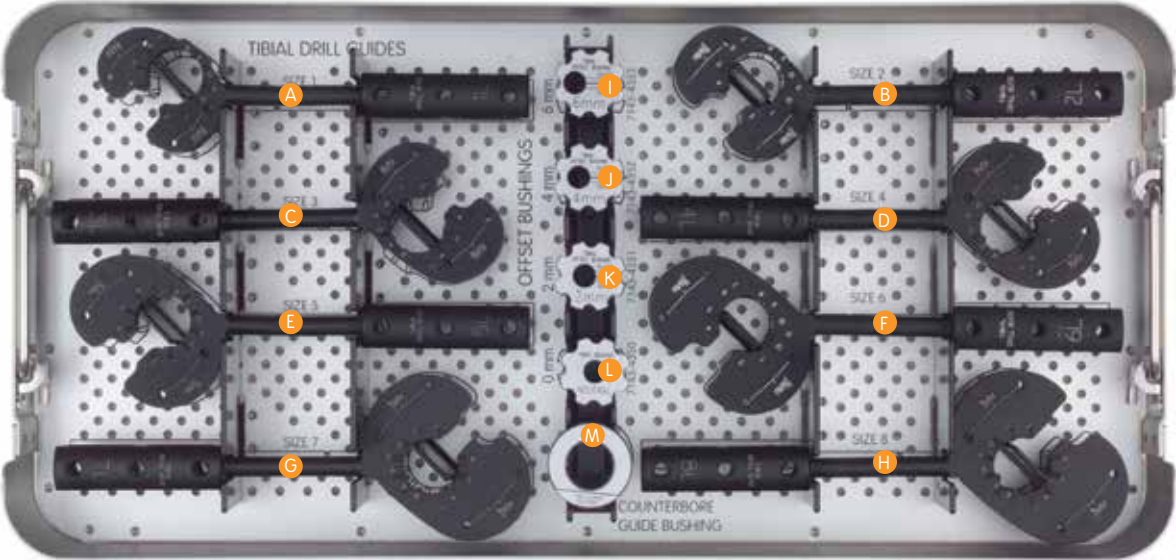
* These parts have been discontinued

Tray #7143-4127 Tibial Instruments Tray (Upper)

Catalog Item	Description	Ref.
7143-4330	Intramedullary Alignment Guide	A
7143-4333	Tibial Stylus, 1mm	B
7143-4342	Hemi-Stepped Wedge Resection Guide	D
7143-4331	Tibial Cutting Block, Left	F
7143-4332	Tibial Cutting Block, Right	G
7144-0444	Adjustable Tibial Alignment Ankle Clamp	H
7144-0448	Tibial Extramedullary Alignment Tube	I
7144-0446	Nonspiked Fix Rod	J
114861	Extramedullary Alignment Rod	K

LEGION[®] RK Trays

Case 2 – Tray #7143-4128 – Tibial Drill guides Tray (Lower)

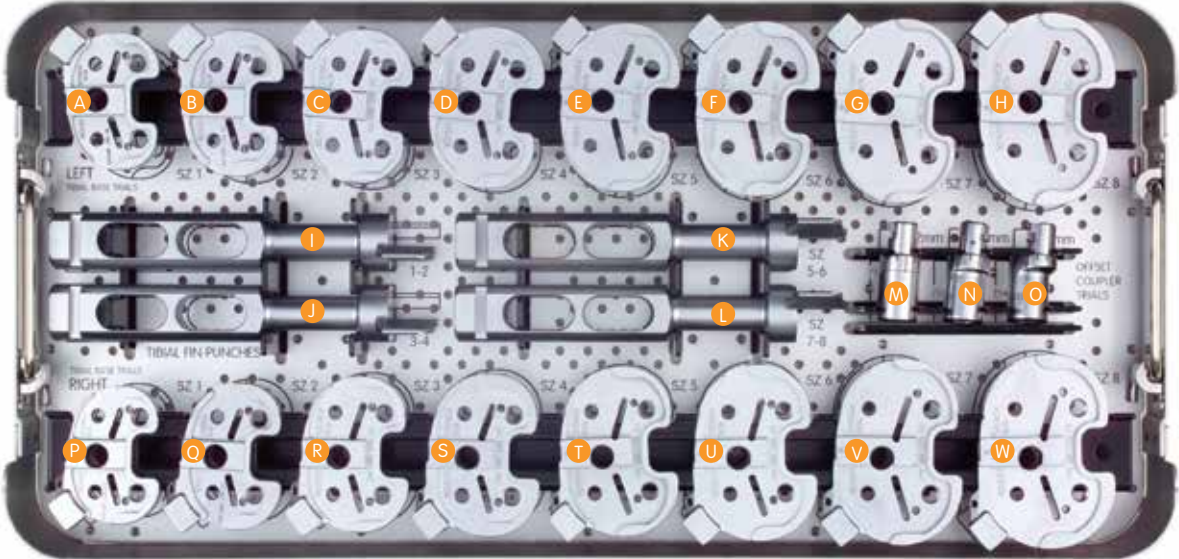


Tray #7143-4128 – Tibial Drill Guides Tray (Lower)

Catalog Item	Description	Ref.
7143-4334	Tibial Drill Guide, Size 1	A
7143-4335	Tibial Drill Guide, Size 2	B
7143-4336	Tibial Drill Guide, Size 3	C
7143-4337	Tibial Drill Guide, Size 4	D
7143-4338	Tibial Drill Guide, Size 5	E
7143-4339	Tibial Drill Guide, Size 6	F
7143-4340	Tibial Drill Guide, Size 7	G
7143-4341	Tibial Drill Guide, Size 8	H
7143-4353	Tibial Offset Bushing, 6mm	I
7143-4352	Tibial Offset Bushing, 4mm	J
7143-4351	Tibial Offset Bushing, 2mm	K
7143-4350	Tibial Offset Bushing, 0mm	L
7143-4349	Tibial Counterbore Guide Bushing	M

LEGION[®] RK Trays

Case 3 – Tray #7143-4129 Tibial Base Trials Tray (Upper) – Total Case Weight: 32 lb (14.5 Kg)



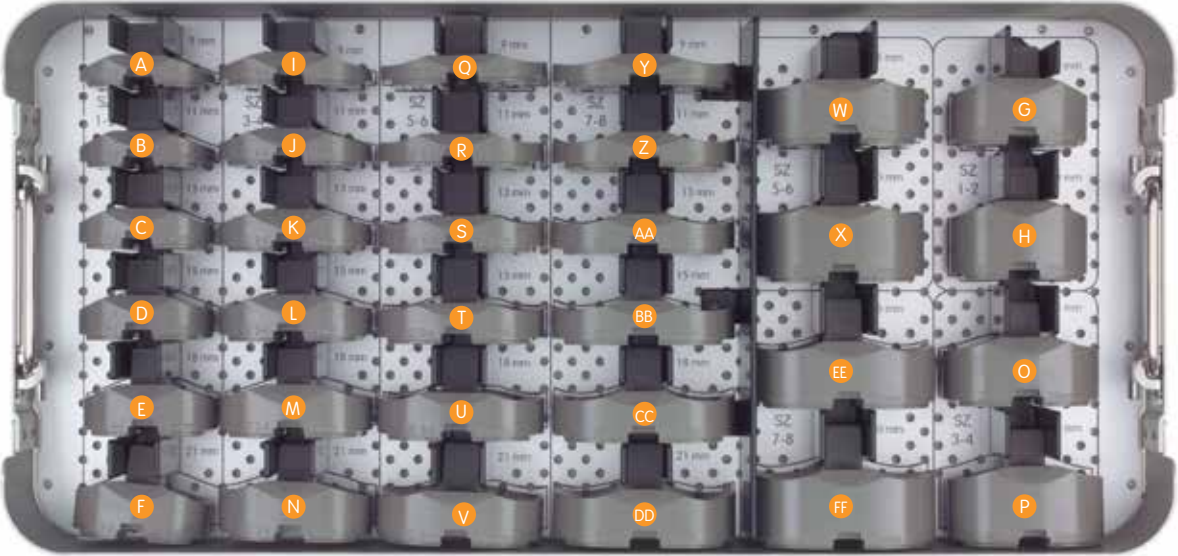
Tray #7143-4129 Tibial Base Trials Tray (Upper)

Catalog Item	Description	Ref.
7145-4001	Revision Tibial Base Trial, Size 1, Left	A
7145-4002	Revision Tibial Base Trial, Size 2, Left	B
7145-4003	Revision Tibial Base Trial, Size 3, Left	C
7145-4004	Revision Tibial Base Trial, Size 4, Left	D
7145-4005	Revision Tibial Base Trial, Size 5, Left	E
7145-4006	Revision Tibial Base Trial, Size 6, Left	F
7145-4007	Revision Tibial Base Trial, Size 7, Left	G
7145-4008	Revision Tibial Base Trial, Size 8, Left	H
7143-4345	Tibial Fin Punch 1-2	I
7143-4346	Tibial Fin Punch 3-4	J
7143-4347	Tibial Fin Punch 5-6	K
7143-4348	Tibial Fin Punch 7-8	L
7143-4302	Offset Coupler Trial, 2mm	M
7143-4304	Offset Coupler Trial, 4mm	N
7143-4306	Offset Coupler Trial, 6mm	O

Catalog Item	Description	Ref.
7145-4011	Revision Tibial Base Trial, Size 1, Right	P
7145-4012	Revision Tibial Base Trial, Size 2, Right	Q
7145-4013	Revision Tibial Base Trial, Size 3, Right	R
7145-4014	Revision Tibial Base Trial, Size 4, Right	S
7145-4015	Revision Tibial Base Trial, Size 5, Right	T
7145-4016	Revision Tibial Base Trial, Size 6, Right	U
7145-4017	Revision Tibial Base Trial, Size 7, Right	V
7145-4018	Revision Tibial Base Trial, Size 8, Right	W

LEGION[®] RK Trays

Case 3 – Tray #7143-4131 Constrained Tibial Trial Inserts Tray (Bottom)



Tray #7143-4131 Constrained Tibial Trial Inserts Tray (Bottom)

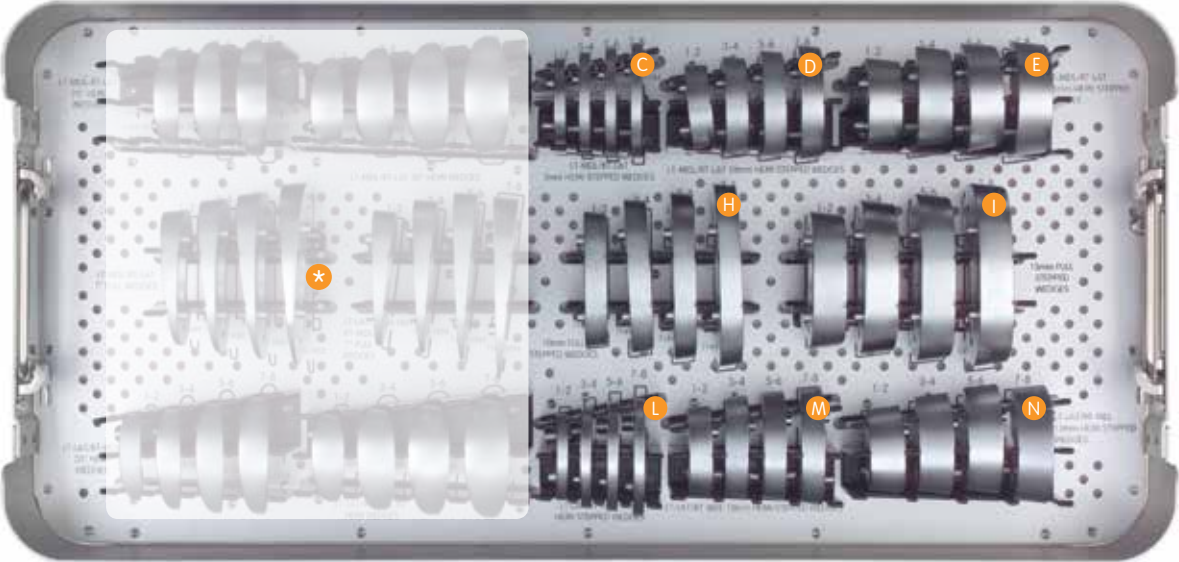
Catalog Item	Description	Ref.
7143-4231	Tibial Insert Trial, 9mm, Sizes 1-2	A
7143-4232	Tibial Insert Trial, 11mm, Sizes 1-2	B
7143-4233	Tibial Insert Trial, 13mm, Sizes 1-2	C
7143-4234	Tibial Insert Trial, 15mm, Sizes 1-2	D
7143-4235	Tibial Insert Trial, 18mm, Sizes 1-2	E
7143-4236	Tibial Insert Trial, 21mm, Sizes 1-2	F
7143-4237	Tibial Insert Trial, 25mm, Sizes 1-2	G
7143-4238*	Tibial Insert Trial, 30mm, Sizes 1-2	H
7143-4241	Tibial Insert Trial, 9mm, Sizes 3-4	I
7143-4242	Tibial Insert Trial, 11mm, Sizes 3-4	J
7143-4243	Tibial Insert Trial, 13mm, Sizes 3-4	K
7143-4244	Tibial Insert Trial, 15mm, Sizes 3-4	L
7143-4245	Tibial Insert Trial, 18mm, Sizes 3-4	M
7143-4246	Tibial Insert Trial, 21mm, Sizes 3-4	N
7143-4247	Tibial Insert Trial, 25mm, Sizes 3-4	O
7143-4248*	Tibial Insert Trial, 30mm, Sizes 3-4	P

Catalog Item	Description	Ref.
7143-4251	Tibial Insert Trial, 9mm, Sizes 5-6	Q
7143-4252	Tibial Insert Trial, 11mm, Sizes 5-6	R
7143-4253	Tibial Insert Trial, 13mm, Sizes 5-6	S
7143-4254	Tibial Insert Trial, 15mm, Sizes 5-6	T
7143-4255	Tibial Insert Trial, 18mm, Sizes 5-6	U
7143-4256	Tibial Insert Trial, 21mm, Sizes 5-6	V
7143-4257	Tibial Insert Trial, 25mm, Sizes 5-6	W
7143-4258*	Tibial Insert Trial, 30mm, Sizes 5-6	X
7143-4261	Tibial Insert Trial, 9mm, Sizes 7-8	Y
7143-4262	Tibial Insert Trial, 11mm, Sizes 7-8	Z
7143-4263	Tibial Insert Trial, 13mm, Sizes 7-8	AA
7143-4264	Tibial Insert Trial, 15mm, Sizes 7-8	BB
7143-4265	Tibial Insert Trial, 18mm, Sizes 7-8	CC
7143-4266	Tibial Insert Trial, 21mm, Sizes 7-8	DD
7143-4267	Tibial Insert Trial, 25mm, Sizes 7-8	EE
7143-4268*	Tibial Insert Trial, 30mm, Sizes 7-8	FF

* Availability may vary by country or territory.

LEGION[®] RK Trays

Case 4 – Tray #7143-4132 Tibial Wedge Trials – Total Case Weight: 23 lb (10.6 kg)



* These parts have been discontinued

Tray #7143-4132 Tibial Wedge Trials

Catalog Item	Description	Ref.
--------------	-------------	------

5mm Hemi-Stepped Tibial Wedge Trials

7145-1141 - 44	Sizes 1-2, 3-4, 5-6, 7-8 LM/RL	C
7145-1145 - 48	Sizes 1-2, 3-4, 5-6, 7-8 LL/RM	L

10mm Hemi-Stepped Tibial Wedge Trials

7145-1033 - 36	Sizes 1-2, 3-4, 5-6, 7-8 LM/RL	D
7145-1037 - 40	Sizes 1-2, 3-4, 5-6, 7-8 LL/RM	M

Catalog Item	Description	Ref.
--------------	-------------	------

15mm Hemi-Stepped Tibial Wedge Trials

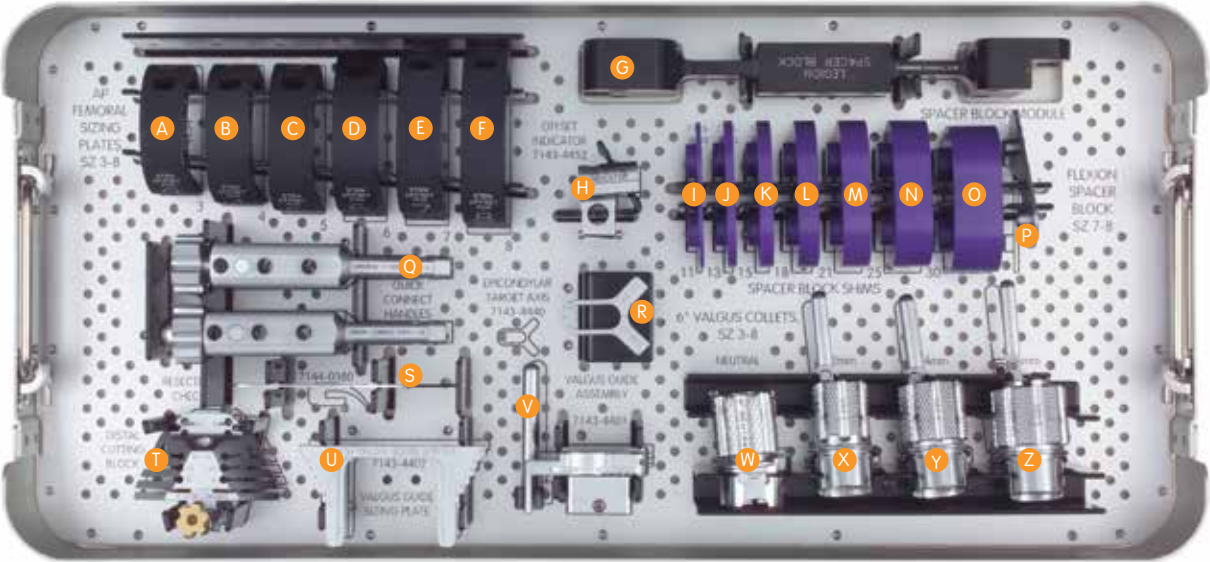
7145-1041 - 44	Sizes 1-2, 3-4, 5-6, 7-8 LM/RL	E
7145-1045 - 48	Sizes 1-2, 3-4, 5-6, 7-8 LL/RM	N

Full-Step Tibial Wedge Trials

7145-1057 - 60	Sizes 1-2, 3-4, 5-6, 7-8 - 10mm	H
7145-1061 - 64	Sizes 1-2, 3-4, 5-6, 7-8 - 15mm	I

LEGION[®] RK Trays

Case 5 – Tray #7143-4125 Femoral A/P Sizer Tray (Upper) – Total Case Weight: 31 lb (13.9 kg)



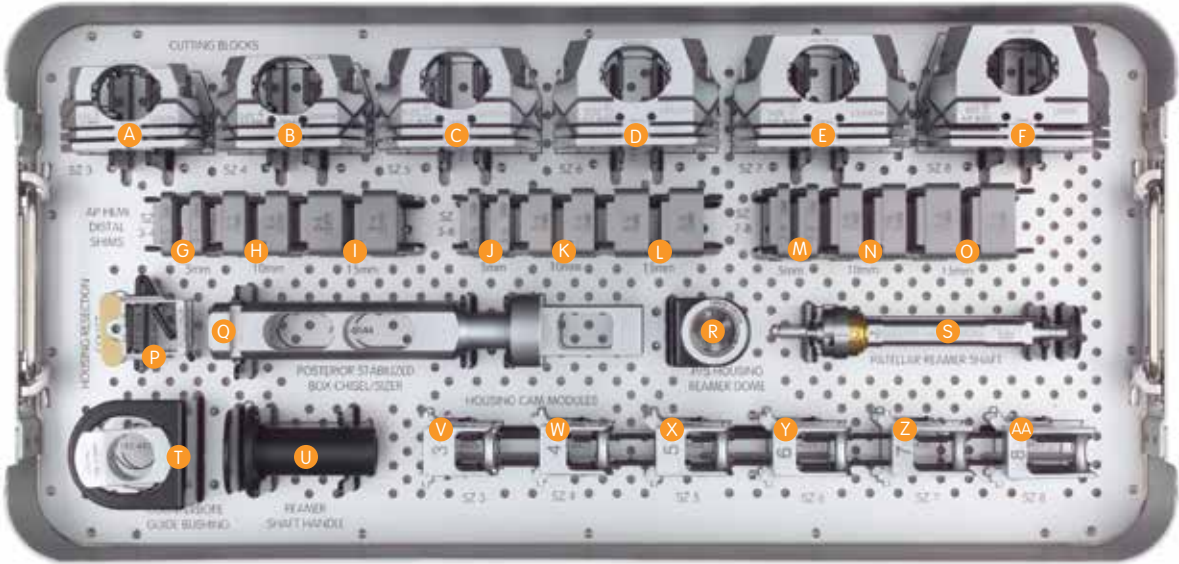
Tray #7143-4125 Femoral A/P Sizer Tray (Upper)

Catalog Item	Description	Ref.
7143-4434	A/P Femoral Sizing Plate, Size 3	A
7143-4435	A/P Femoral Sizing Plate, Size 4	B
7143-4436	A/P Femoral Sizing Plate, Size 5	C
7143-4437	A/P Femoral Sizing Plate, Size 6	D
7143-4438	A/P Femoral Sizing Plate, Size 7	E
7143-4439	A/P Femoral Sizing Plate, Size 8	F
7143-4441	Spacer Block Module	G
7143-4452	Offset Indicator	H
7143-4442	Spacer Block Shim, 11mm	I
7143-4443	Spacer Block Shim, 13mm	J
7143-4444	Spacer Block Shim, 15mm	K
7143-4445	Spacer Block Shim, 18mm	L
7143-4446	Spacer Block Shim, 21mm	M
7143-4447	Spacer Block Shim, 25mm	N
7143-4448	Spacer Block Shim, 30mm	O

Catalog Item	Description	Ref.
7143-4450	Flexion Spacer Block, Size 7-8	P
7144-0045	Quick Connect Handle	Q
7143-4440	Epicondylar Axis Target	R
7144-0380	Resection Check	S
7143-4403	Distal Femoral Cutting Block	T
7143-4402	Valgus Guide Sizing Plate	U
7143-4401	Valgus Guide Assembly	V
7143-4404	6° Valgus Collet Neutral, Size 3-8	W
7143-4405	6° Valgus Collet, 2mm Offset, Size 3-8	X
7143-4406	6° Valgus Collet, 4mm Offset, Size 3-8	Y
7143-4407	6° Valgus Collet, 6mm Offset, Size 3-8	Z

LEGION^o RK Trays

Case 5 – Tray #7143-4126 Femoral Instruments Tray (Lower)



Tray #7143-4126 Femoral Instruments Tray (Lower)

Catalog Item	Description	Qty.	Ref.
7143-4408	A/P Femoral Cutting Block, Size 3	1	A
7143-4409	A/P Femoral Cutting Block, Size 4	1	B
7143-4410	A/P Femoral Cutting Block, Size 5	1	C
7143-4411	A/P Femoral Cutting Block, Size 6	1	D
7143-4412	A/P Femoral Cutting Block, Size 7	1	E
7143-4413	A/P Femoral Cutting Block, Size 8	1	F
7143-4414	A/P Hemi-Distal Shim, 5mm, Sizes 3-4	2	G
7143-4415	A/P Hemi-Distal Shim, 10mm, Sizes 3-4	2	H
7143-4416	A/P Hemi-Distal Shim, 15mm, Sizes 3-4	2	I
7143-4417	A/P Hemi-Distal Shim, 5mm, Sizes 5-6	2	J
7143-4418	A/P Hemi-Distal Shim, 10mm, Sizes 5-6	2	K
7143-4419	A/P Hemi-Distal Shim, 15mm, Sizes 5-6	2	L
7143-4420	A/P Hemi-Distal Shim, 5mm, Sizes 7-8	2	M
7143-4421	A/P Hemi-Distal Shim, 10mm, Sizes 7-8	2	N
7143-4422	A/P Hemi-Distal Shim, 15mm, Sizes 7-8	2	O

Catalog Item	Description	Qty.	Ref.
7143-4424	Housing Resection Collet, Sizes 3-8	1	P
7144-0144	Housing Box Chisel/Sizer	1	Q
7144-0145	PS Housing Reamer Dome	1	R
7144-0324	Housing Reamer Shaft	1	S
7143-4432	Counterbore Bushing Guide, Sizes 3-8	1	T
7144-0464	PS Reamer Shaft Handle	1	U
7143-4426	Housing Cam Module, Size 3	1	V
7143-4427	Housing Cam Module, Size 4	1	W
7143-4428	Housing Cam Module, Size 5	1	X
7143-4429	Housing Cam Module, Size 6	1	Y
7143-4430	Housing Cam Module, Size 7	1	Z
7143-4431	Housing Cam Module, Size 8	1	AA

LEGION[®] RK Trays

Case 6 – Tray #7143-4123 Femoral Trials Tray (Sizes 3-8) (Upper) – Total Case Weight: 31 lb (13.9 kg)



Tray #7143-4123 Femoral Trials Tray (Sizes 3-8) (Upper)

Catalog Item	Description	Ref.
7143-1163	Ream-through Femoral Trial, Stemable, Size 3, Left	A
7143-1164	Ream-through Femoral Trial, Stemable, Size 4, Left	B
7143-1165	Ream-through Femoral Trial, Stemable, Size 5, Left	C
7143-1166	Ream-through Femoral Trial, Stemable, Size 6, Left	D
7143-1167	Ream-through Femoral Trial, Stemable, Size 7, Left	E
7143-1168	Ream-through Femoral Trial, Stemable, Size 8, Left	F
7143-4302	Offset Coupler Trial, 2mm	G
7143-4304	Offset Coupler Trial, 4mm	H
7143-4306	Offset Coupler Trial, 6mm	I
7143-1173	Ream-through Femoral Trial, Stemable, Size 3, Right	J
7143-1174	Ream-through Femoral Trial, Stemable, Size 4, Right	K
7143-1175	Ream-through Femoral Trial, Stemable, Size 5, Right	L
7143-1176	Ream-through Femoral Trial, Stemable, Size 6, Right	M
7143-1177	Ream-through Femoral Trial, Stemable, Size 7, Right	N
7143-1178	Ream-through Femoral Trial, Stemable, Size 8, Right	O

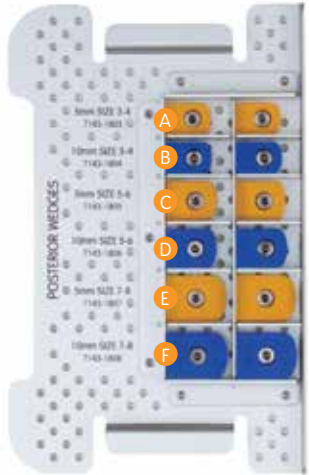
Catalog Item	Description	Ref.
7143-1162	Ream-through Femoral Trial, Stemable, Size 2, Left	Not in tray
7143-1172	Ream-through Femoral Trial, Stemable, Size 2, Right	Not in tray

LEGION[®] RK Trays

Case 6 – Tray #7143-4124 Femoral Wedge Trials Tray (Sizes 3-8) (Lower)



Tray #7143-4124 Posterior Wedge Trials (Sizes 3-8) (Lower Tray Insert)



Tray #7143-4124 Femoral Wedge Trials Tray (Sizes 3-8) (Lower)

Catalog Item	Description	Qty.	Ref.
Distal Femoral wedge trials			
7143-1657, 61, 64, 67, 71 and 74	Size 3, 4, 5, 6, 7 and 8, 5mm	2 ea	A3-A8
7143-1658, 62, 65, 68, 72 and 75	Size 3, 4, 5, 6, 7 and 8, 10mm	2 ea	B3-B8
7143-1659, 63, 66, 69, 73 and 76	Size 3, 4, 5, 6, 7 and 8, 15mm	2 ea	C3-C8

L-Wedge Trials

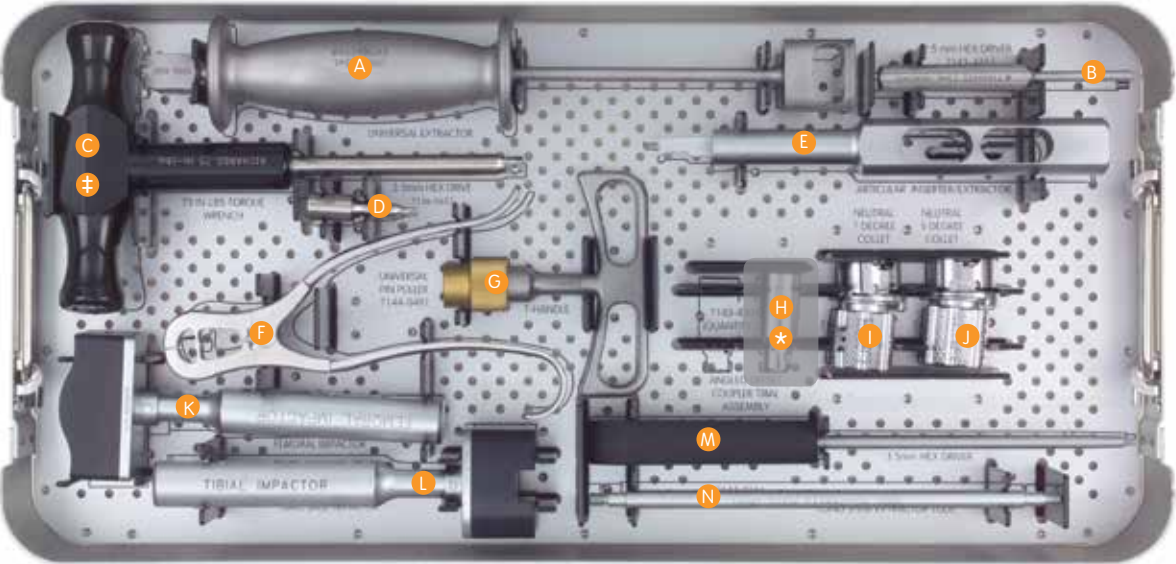
7143-1721, 31, 41, 51, 61 and 71	Size 3, 4, 5, 6, 7 and 8, 5mm Distal x 5mm Posterior	2 ea	D3-D8
7143-1722, 32, 42, 52, 62 and 72	Size 3, 4, 5, 6, 7 and 8, 5mm Distal x 10mm Posterior	2 ea	E3-E8
7143-1723, 33, 43, 53, 63 and 73	Size 3, 4, 5, 6, 7 and 8, 10mm Distal x 5mm Posterior	2 ea	F3-F8
7143-1724, 34, 44, 54, 64 and 74	Size 3, 4, 5, 6, 7 and 8, 10mm Distal x 10mm Posterior	2 ea	G3-G8
7143-1725, 35, 45, 55, 65 and 75	Size 3, 4, 5, 6, 7 and 8, 15mm Distal x 5mm Posterior	2 ea	H3-H8
7143-1726, 36, 46, 56, 66 and 76	Size 3, 4, 5, 6, 7 and 8, 15mm Distal x 10mm Posterior	2 ea	J3-J8

Tray #7143-4124 Posterior Wedge Trials (Sizes 3-8) (Lower Tray Insert)

Catalog Item	Description	Qty.	Ref.
7143-1803	Size 3-4, 5mm	2 ea	A
7143-1804	Size 3-4, 10mm	2 ea	B
7143-1805	Size 5-6, 5mm	2 ea	C
7143-1806	Size 5-6, 10mm	2 ea	D
7143-1807	Size 7-8, 5mm	2 ea	E
7143-1808	Size 7-8, 10mm	2 ea	F

LEGION[®] RK Trays

Case 7 – Tray #7143-4133 Miscellaneous Instruments Tray (Upper) – Total Case Weight: 29 lb (13.0 kg)



‡ The appearance or version of the torque wrench may vary. * Availability may vary by country or territory.

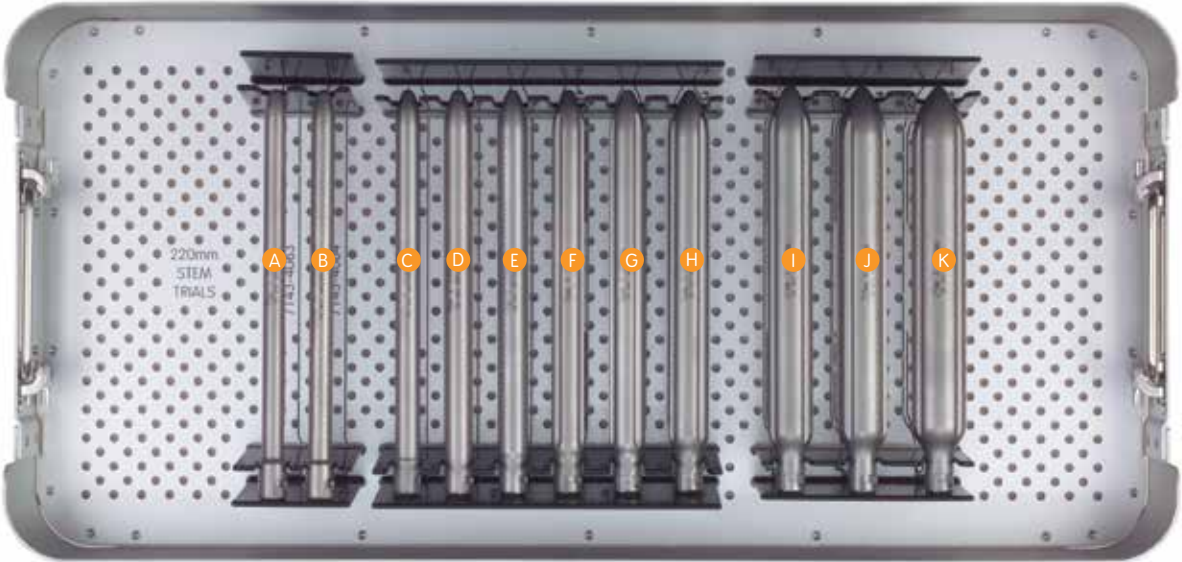
Tray #7143-4133 Miscellaneous Instruments Tray (Upper)

Catalog Item	Description	Ref.
7144-0366	Universal Extractor	A
7143-4455	2.5mm Hexdriver	B
7156-5658	Torque Wrench, 85 Inch-Pound	C
7156-5657	Torque Bit, 3.5mm	D
7144-0194	Articular Inserter/Extractor	E
7144-0491	Pin Puller	F
7163-1172	IM Rod T-Handle	G
7143-4301*	Offset Coupler Trial, Angled	H
7143-4454	7° Valgus Collet Neutral, Size 3-8	I
7143-4453	5° Valgus Collett Neutral, Size 3-8	J
7144-0190	Femoral Impactor	K
7144-0192	Tibial Baseplate Impactor	L
115035	3.5mm Hex Screwdriver	M
7144-0186	Long Stem Extractor Tool	N

* Availability may vary by country or territory.

LEGION[®] RK Trays

Case 7 – Tray #7143-4134 220mm Stem Trials Tray (Lower)



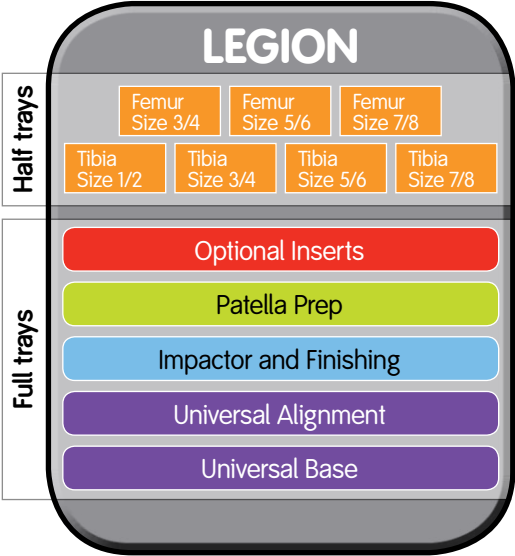
Tray #7143-4134 220mm Stem Trials Tray (Lower)**

Catalog Item	Description	Ref.
7143-4063	Stem Trial 10mm x 220mm, Straight	A
7143-4064	Stem Trial 11mm x 220mm, Straight	B
7143-4065	Stem Trial 12mm x 220mm, Straight	C
7143-4066	Stem Trial 13mm x 220mm, Straight	D
7143-4067	Stem Trial 14mm x 220mm, Straight	E
7143-4068	Stem Trial 15mm x 220mm, Straight	F
7143-4069	Stem Trial 16mm x 220mm, Straight	G
7143-4071	Stem Trial 18mm x 220mm, Straight	H
7143-4073	Stem Trial 20mm x 220mm, Straight	I
7143-4075	Stem Trial 22mm x 220mm, Straight	J
7143-4077	Stem Trial 24mm x 220mm, Straight	K

* Note: Stem tray is designed for up to two stems per slot for 12-18mm diameter stems.

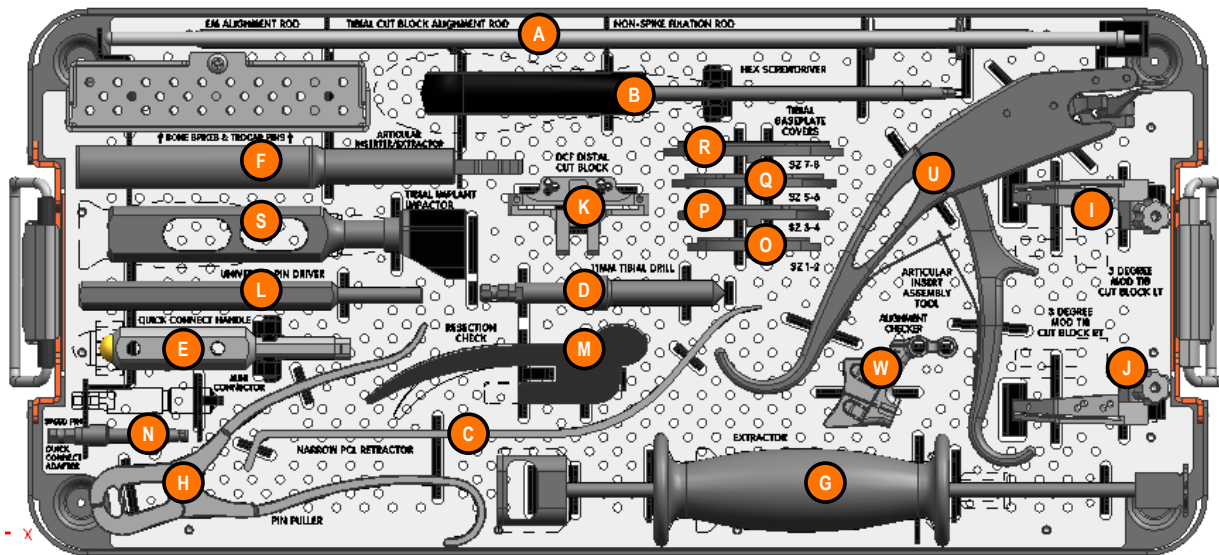
** Availability may vary by country or territory.

LEGION[◇] Universal Trays – Configuration Overview



Universal Base Tray

Case #7144-0843



7144-0843 Universal Base Tray

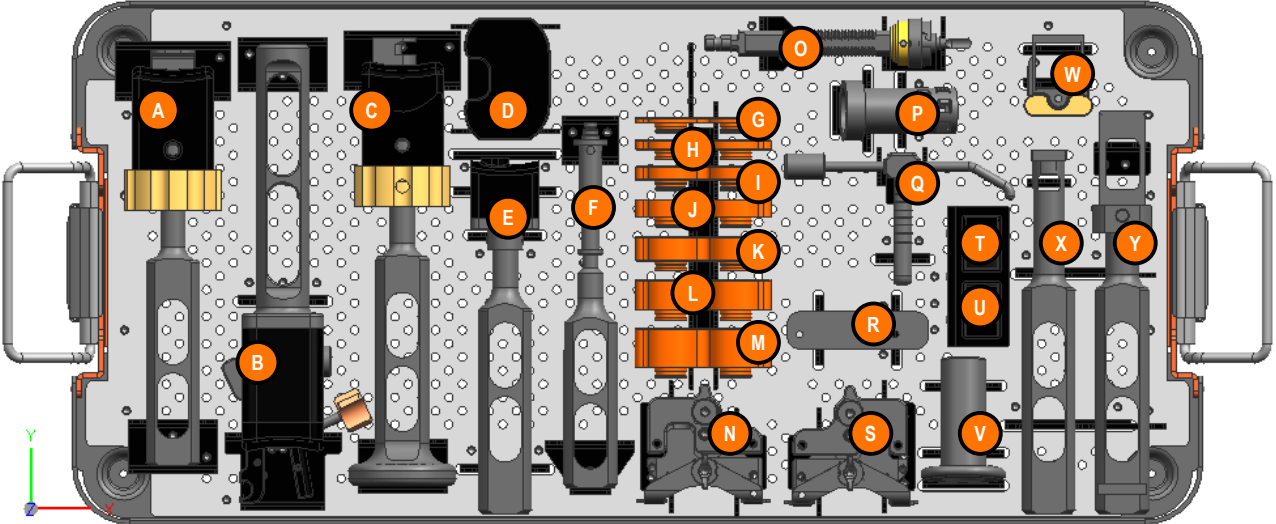
Catalog Item	Description	Qty.	Ref.
114861	Extramedullary Alignment Rod	1	A
115035	HEX Screwdriver	1	B
7144-0020	GENESIS® II Narrow PCL Retractor	1	C
7144-0040	GENESIS II 11mm Tibial Drill	1	D
7144-0044	GENESIS II Quick Connect Handle	2	E
7144-0194	GENESIS II Articular Inserter/Extract	1	F
7144-0366	GENESIS II Universal Extractor	1	G
7144-0491	Pin Puller	1	H
7144-1136	GENESIS II MI IN SLT 3 MO TI CU BL LT	1	I
7144-1137	GENESIS II MI IN SLT 3 MO TI CU BL RT	1	J
7144-1147	GENESIS II MIS DCF Distal Cut Blk	1	K
7151-3331	Universal Pin Driver	1	L
7401-2431	JOURNEY® Resection Check	1	M
7401-3489	SPEED PIN® QK Connect Adapter	1	N
7401-8821	JOURNEY TIB Base Cover Size 1-2	1	O
7401-8823	JOURNEY TIB Base Cover Size 3-4	1	P
7401-8825	JOURNEY TIB Base Cover Size 5-6	1	Q
7401-8827	JOURNEY TIB Base Cover Size 7-8	1	R
7401-8901	JOURNEY Tibial Impl Impactor	1	S

* Not part of standard set

Catalog Item	Description	Qty.	Ref.
7144-0843	Tray 1 Universal Base	1	N/A
7401-8911	JOURNEY Art Isrt Assm Tool	1	U
7401-0406	Universal Standard Lid	1	N/A
7193-4298*	VISIONAIRE® Alignment Checker	N/A*	W

Universal Alignment Tray

Case #7144-0844

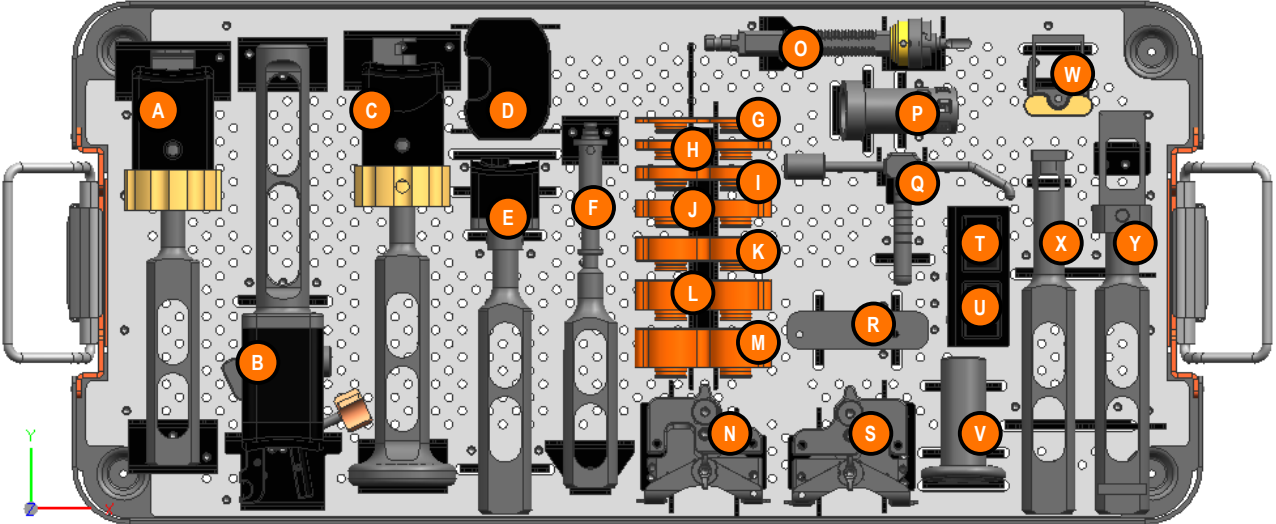


7144-0844 Universal Alignment Tray

Catalog	Description	Qty.	Ref.
7144-0014	GENESIS° II Fem Five Dg Valgus Bush	1	A
7144-0016	GENESIS II Fem Six Deg Valgus Bushing	1	B
7144-0018	GENESIS II Fem Seven Deg Valgus Bush	1	C
7144-0200	GENESIS II Intra Tib Alignment	1	D
7144-0444	GENESIS II Adjustable Ankle Clamp	1	E
7144-0446	GENESIS II Non Spike-Fixation Rod	1	F
7144-0448	GENESIS II Tibial Alignment Tube	1	G
7144-0844	Tray 2 Universal Alignment	1	N/A
7144-0198	GENESIS II Tib Align Spiked Fix Rod	1	I
7144-1143	GENESIS II Mis Tibial Stylus	1	J
7144-1144	GENESIS II Mis DCF Align Gde	1	K
7144-1148	GENESIS II Mis Tib Blck Align Rod	1	L
7151-2035	Pro 8mm Im Rod Short	1	M
7151-2040	Pro 8mm Im Rod Long	1	N
7401-2111	JOURNEY° Intra Drill 9.5mm	1	O
7111-0080	Quick Release T-Handle	1	P
7401-0406	Universal Standard Lid	1	N/A

LEGION^o Impactor and Finishing Tray

Case #7144-0281



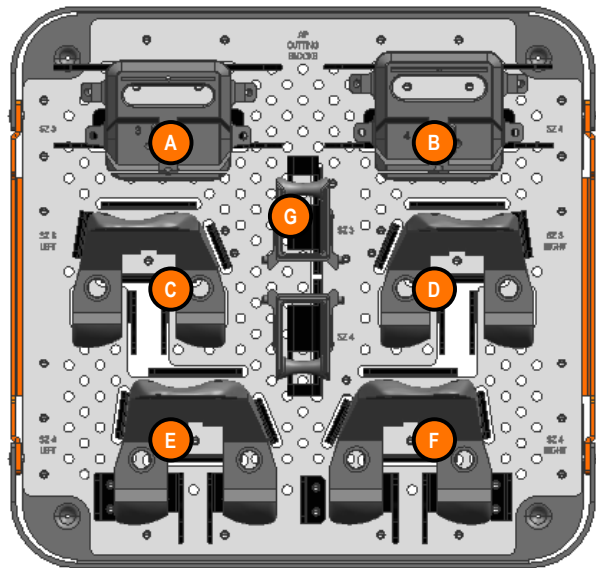
7144-0281 LEGION® Impactor and Finishing Tray

Catalog Item	Description	Qty.	Ref.
7144-0005	Femoral Implant Impactor	1	B
7144-0009	Femoral Trial Impactor	1	A
7144-0860	GENESIS® II Post Ref Downsizing Drill Guide	1	R
7144-0890	GENESIS II OXINIUM® Femoral Impactor	1	C
7144-0190	GENESIS II Femoral Impactor	1	E
7144-0145	GENESIS II P/S Constrained System Housing Reamer Dome	1	P
7144-1140	GENESIS II Mis DCF Sizing Stylus	1	Q
7144-0281	LEGION Impactor And Finishing Tray	1	N/A
7144-0373	Box Chisel	1	Y
7144-0464	GENESIS II Posterior Stabilized Reamer Shaft Handle	1	V
7144-1552	GENESIS II PS High Flexion Insert Impactor Handle	1	X
7144-1553	GENESIS II PS High Flexion Insert Impactor Head Size 1-2	1	T
7144-1554	GENESIS II PS High Flexion Insert Impactor Head Size 3-8	1	U

Catalog Item	Description	Qty.	Ref.
7401-8603	JOURNEY® Flexion Extension Block Standard	1	D
7401-8608	JOURNEY Flexion Extension Spacer 9mm	1	G
7401-8611	JOURNEY Flexion Extension Spacer 11mm	1	H
7401-8613	JOURNEY Flexion Extension Spacer 13mm	1	I
7401-8615	JOURNEY Flexion Extension Spacer 15mm	1	J
7401-8618	JOURNEY Flexion Extension Spacer 18mm	1	K
7401-8621	JOURNEY Flexion Extension Spacer 21mm	1	L
7143-4424	LEGION Housing Resection Collet Size 3-8	1	W
7144-0324	GENESIS II Patellar Reamer Shaft	1	O
7144-0183	GENESIS II Femoral Lug Punch	1	F
7144-0007	GENESIS II DCF Variable Sizing Guide Left	1	N
7144-0008	GENESIS II DCF Variable Sizing Guide Right	1	S
7401-8625	JOURNEY Flexion Extension Spacer 25mm	1	M

LEGION[®] Femoral Size 3-4 Tray

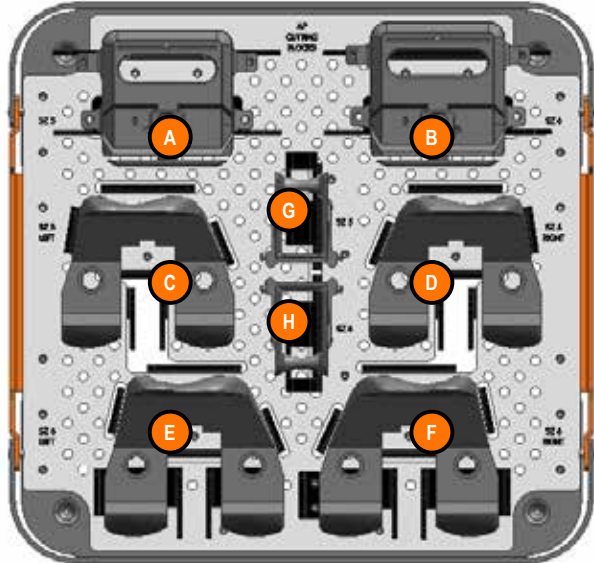
Case #7144-0287



Catalog Item	Description	Qty.	Ref.
7143-3343	GENESIS [®] II Spc Ream Through CR Trial – Size 3 Left	1	C
7143-3344	GENESIS II Spc Ream Through CR Trial – Size 4 Left	1	E
7143-3353	GENESIS II Spc Ream Through CR Trial – Size 3 Right	1	D
7143-3363	GENESIS II Spc P/S Cam Module – Size 3	1	G
7143-3354	GENESIS II Spc Ream Through CR Trial – Size 4 Right	1	F
7143-3364	GENESIS II Spc P/S Cam Module – Size 4	1	H
7144-0287	LEGION Femoral Size – 3-4 Tray	1	N/A
7144-1151	GENESIS II Min Inv DCF AP Cutting Block – Size 3	1	A
7144-1152	GENESIS II Min Inv DCF AP Cutting Block – Size 4	1	B
7401-0407	Universal Standard Half Tray Lid	1	N/A

LEGION[◇] Femoral Size 5-6 Tray

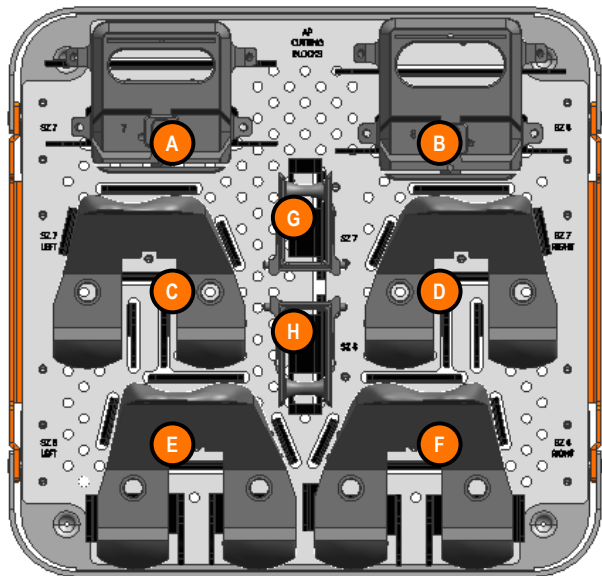
Case #7144-0283



Catalog Item	Description	Qty.	Ref.
7143-3345	GENESIS [◇] II Spc Ream Through Cr Trial-Size 5 Left	1	C
7143-3355	GENESIS II Spc Ream Through Cr Trial Size 5 Right	1	D
7143-3346	GENESIS II Spc Ream Through Cr Trial Size 6 Left	1	E
7143-3356	GENESIS II Spc Ream Through Cr Trial Size 6 Right	1	F
7143-3365	GENESIS II Spc P/S Cam Module Size 5	1	G
7143-3366	GENESIS II Spc P/S Cam Module Size 6	1	H
7144-0283	LEGION Femoral Size 5-6 Tray	1	N/A
7144-1154	GENESIS II Min Inv DCF AP Cutting Block Size 6	1	B
7144-1153	GENESIS II Min Inv DCF AP Cutting Block Size 5	1	A
7401-0407	Universal Standard Half Tray Lid	1	N/A

LEGION[®] Femoral Size 7-8 Tray

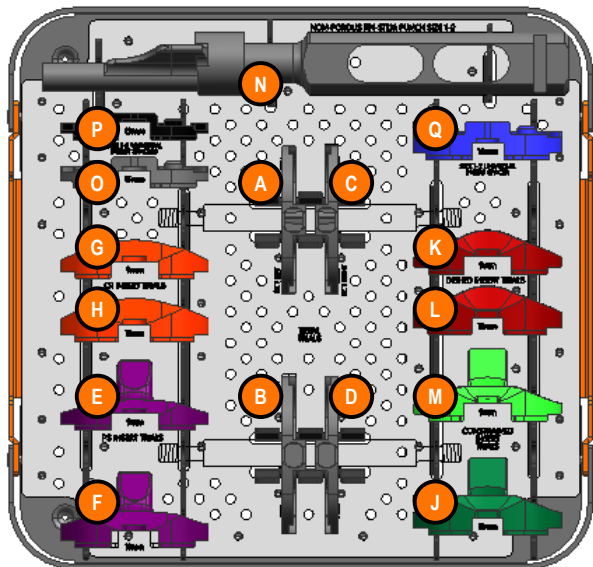
Tray #7144-0285



Catalog Item	Description	Qty.	Ref.
7143-3347	GENESIS [®] II Spc Ream Through Cr Trial Size 7 Left	1	C
7143-3348	GENESIS II Spc Ream Through Cr Trial Size 8 Left	1	E
7143-3358	GENESIS II Spc Ream Through Cr Trial Size 8 Right	1	F
7143-3357	GENESIS II Spc Ream Through Cr Trial Size 7 Right	1	D
7143-3367	GENESIS II Spc P/S Cam Module Size 7	1	G
7143-3368	GENESIS II Spc P/S Cam Module Size 8	1	H
7144-1155	GENESIS II Min Inv DCF AP Cutting Block Size 7	1	A
7144-0285	LEGION Femoral Size 7-8 Tray	1	N/A
7144-1156	GENESIS II Min Inv DCF AP Cutting Block Size 8	1	B
7401-0407	Universal Standard Half Tray Lid	1	N/A

LEGION^o Tibia Size 1-2 Tray

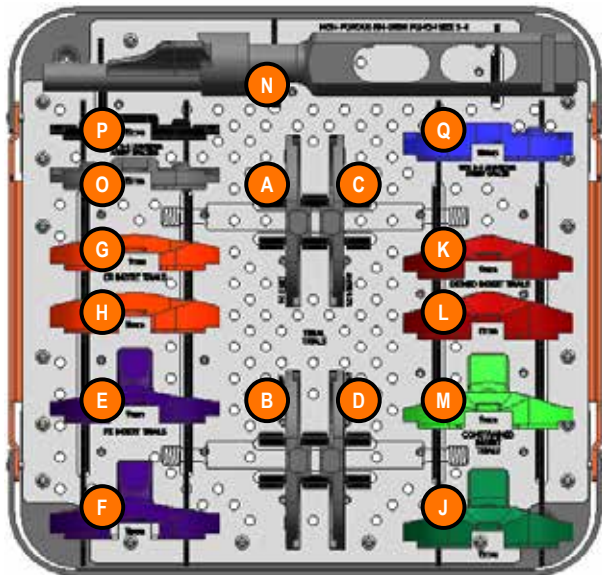
Tray #7143-3132



Catalog Item	Description	Qty.	Ref.
7143-0161	GENESIS ^o II Stemless Tibial Trial Size 1 Left	1	A
7143-0163	GENESIS II Stemless Tibial Trial Size 2 Left	1	B
7143-0177	GENESIS II Stemless Tibial Trial Size 1 Right	1	C
7143-0179	GENESIS II Stemless Tibial Trial Size 2 Right	1	D
7143-0401	GENESIS II PS High Flexion Insert Trial Size 1-2 9mm	1	E
7143-0402	GENESIS II PS High Flexion Insert Trial Size 1-2 11mm	1	F
7143-0442	GENESIS II CR Deep Flexion Insert Trial Size 1-2 9mm	1	G
7143-0443	GENESIS II CR Deep Flexion Insert Trial Size 1-2 11mm	1	H
7143-0454	GENESIS II Dished Articular Trial Size 1-2 9mm	1	K
7143-0456	GENESIS II Dished Articular Trial Size 1-2 11mm	1	L
7143-0962	GENESIS II Constrained Articular Trial Size 1-2 11mm	1	J
7144-3132	LEGION Tibia Size 1-2 Tray	1	N/A
7144-9991	GENESIS II Non-Porous Fin-Stem Punch Size 1-2	1	N
7403-3614	Universal Insert Spacer Size 1-2 13mm	1	P
7403-3615	Universal Insert Spacer Size 1-2 15mm	1	O
7144-0471	GENESIS II SPC Constrained Ins Trial Size 1-2 9mm	1	M
7403-3616	Universal Insert Spacer Size 1-2 18mm	1	Q
7401-0407	Universal Standard Half Tray Lid	1	N/A

LEGION^o Tibia Size 3-4 Tray

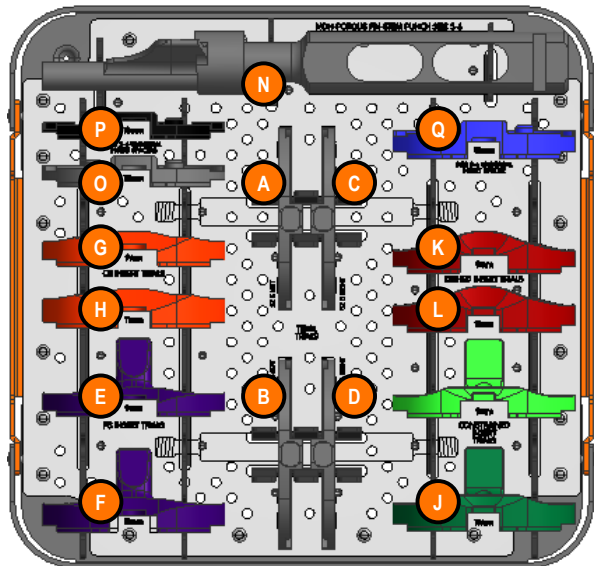
Tray #7143-0032



Catalog Item	Description	Qty.	Ref.
7143-0032	LEGION Tibia Size 3-4 Tray	1	N/A
7143-0165	GENESIS ^o II Stemless Tibial Trial Size 3 Left	1	A
7143-0167	GENESIS II Stemless Tibial Trial Size 4 Left	1	B
7143-0181	GENESIS II Stemless Tibial Trial Size 3 Right	1	C
7143-0183	GENESIS II Stemless Tibial Trial Size 4 Right	1	D
7143-0408	GENESIS II PS High Flexion Insert Trial Size 3-4 9mm	1	E
7143-0409	GENESIS II PS High Flexion Insert Trial Size 3-4	1	F
7143-0444	GENESIS II CR Deep Flexion Insert Trial Size 3-4 9mm	1	G
7143-0445	GENESIS II CR Deep Flexion Insert Trial Size 3-4 11mm	1	H
7143-0524	GENESIS II Constrained Insert Trial Size 3-4 11mm	1	J
7143-0766	GENESIS II Dish Art Tr Size 3-4 9mm	1	K
7143-0768	GENESIS II Dish Art Tr Size 3-4 11mm	1	L
7144-0473	GENESIS II Constrained Insert Trial Size 3-4 9mm	1	M
7144-9993	GENESIS II Non-Porous Fin-Stem Punch Size 3-4	1	N
7403-3635	Universal Insert Spacer Size 3-4 15mm	1	O
7403-3634	Universal Insert Spacer Size 3-4 13mm	1	P
7403-3636	Universal Insert Spacer Size 3-4 18mm	1	Q
7401-0407	Universal Standard Half Tray Lid	1	N/A

LEGION^o Tibia Size 5-6 Tray

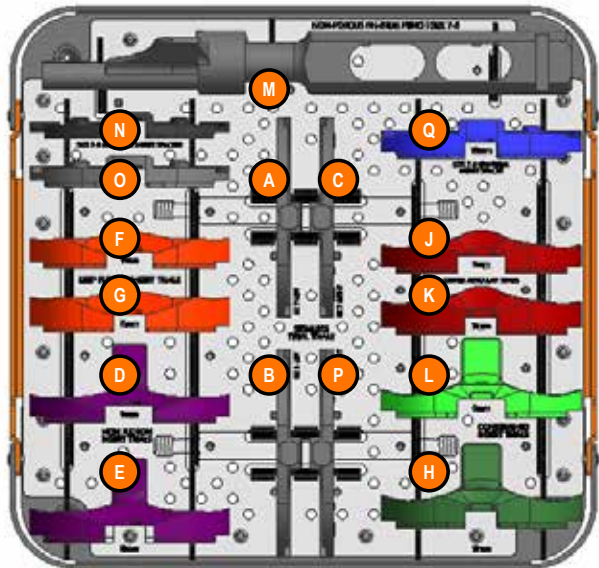
Tray #7143-0033



Catalog Item	Description	Qty.	Ref.
7143-0033	LEGION Tibia Size 5-6 Tray	1	N/A
7143-0169	GENESIS ^o II Stemless Tibial Trial Size 5 Left	1	A
7143-0171	GENESIS II Stemless Tibial Trial Size 6 Left	1	B
7143-0185	GENESIS II Stemless Tibial Trial Size 5 Right	1	C
7143-0187	GENESIS II Stemless Tibial Trial Size 6 Right	1	D
7143-0415	GENESIS II PS High Flexion Insert Trial Size 5-6 9mm	1	E
7143-0416	GENESIS II PS High Flexion Insert Trial Size 5-6 11mm	1	F
7143-0446	GENESIS II CR Deep Flexion Insert Trial Size 5-6 9mm	1	G
7143-0447	GENESIS II CR Deep Flexion Insert Trial Size 5-6 11mm	2	H
7143-0538	GENESIS II Constrained Insert Trial Size 5-6 11mm	1	J
7143-0778	GENESIS II Dish Art Tr Size 5-6 9mm	1	K
7143-0780	GENESIS II Dish Art Tr Size 5-6 11mm	1	L
7144-0475	GENESIS II Spc Constrained Ins Trial Size 5-6 9mm	1	M
7144-9995	GENESIS II Non-Porous Fin-Stem Punch Size 5-6	1	N
7403-3655	Universal Insert Spacer Size 5-6 15mm	1	O
7403-3654	Universal Insert Spacer Size 5-6 13mm	1	P
7403-3656	Universal Insert Spacer Size 5-6 18mm	1	Q
7401-0407	Universal Standard Half Tray Lid	1	N/A

LEGION^o Tibia Size 7-8 Tray

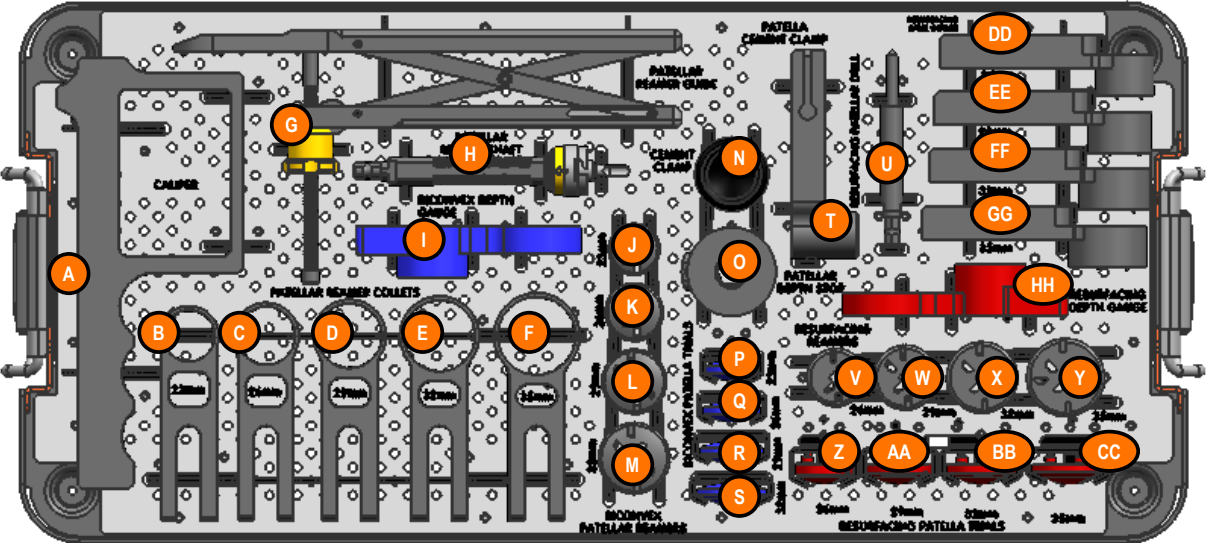
Tray #7143-0034



Catalog Item	Description	Qty.	Ref.
7143-0034	LEGION Tibia Size 7-8 Tray	1	N/A
7143-0173	GENESIS ^o II Stemless Tibial Trial Size 7 Left	1	A
7143-0175	GENESIS II Stemless Tibial Trial Size 8 Left	1	B
7143-0191	GENESIS II Stemless Tibial Trial Size 8 Right	1	C
7143-0422	GENESIS II Ps High Flexion Insert Trial Size 7-8 9mm	1	D
7143-0423	GENESIS II Ps High Flexion Insert Trial Size 7-8 11mm	1	E
7143-0448	GENESIS II Cr Deep Flexion Insert Trial Size 7-8 9mm	1	F
7143-0449	GENESIS II Cr Deep Flexion Insert Trial Size 7-8 11mm	1	G
7143-0552	GENESIS II Constrained Insert Trial Size 7-8 11mm	1	H
7143-0789	GENESIS II Dish Art Tr Size 7-8 9mm	1	J
7143-0791	GENESIS II Dish Art Tr Size 7-8 11mm	1	K
7144-0477	GENESIS II Spc Constrained Ins Trial Size 7-8 9mm	1	L
7144-9997	GENESIS II Non-Porous Fin-Stem Punch Size 7-8	1	M
7403-3674	Universal Insert Spacer Size 7-8 13mm	1	N
7403-3675	Universal Insert Spacer Size 7-8 15mm	1	O
7143-0189	GENESIS II Stemless Tibial Trial Size 7 Right	1	P
7403-3676	Universal Insert Spacer Size 7-8 18mm	1	Q
7401-0407	Universal Standard Half Tray Lid	1	N/A

LEGION^o Patella Prep Tray

Tray #7143-3131



7144-3131 LEGION® Patella Prep Tray

Catalog Item	Description	Qty.	Ref.
114943	GENESIS® Caliper	1	A
7143-0566	GENESIS II Biconvex Pat Tr 23mm	1	P
7143-0568	GENESIS II Biconvex Pat Trial 26mm	1	Q
7143-0570	GENESIS II Biconvex Pat Trial 29mm	1	R
7143-0572	GENESIS II Biconvex Pat Trial 32mm	1	S
7143-0574	GENESIS II Resurf Pat Trial 29mm	1	AA
7143-0576	GENESIS II Resurf Pat Trial 32mm	1	BB
7143-0578	GENESIS II Resurf Pat Trial 35mm	1	CC
7143-0580	GENESIS II 26mm Resurf Pat Trial	1	Z
7144-0311	GENESIS II Modified Patellar Reamer Guide	1	G
7144-0322	GENESIS II Patellar Cement Clamp	1	T
7144-0324	GENESIS II Patellar Reamer Shaft	1	H
7144-0326	GENESIS II Patellar Depth Stop	1	O
7144-0328	GENESIS II Biconvex Depth Gauge	1	I
7144-0330	GENESIS II Resurf Depth Gauge	1	HH
7144-0342	GENESIS II 29mm Resurfacing Reamer	1	W
7144-0344	GENESIS II 32mm Resurface Reamer	1	X
7144-0346	GENESIS II 35mm Resurface Reamer	1	Y
7144-0348	GENESIS II 26mm Resurf Pat Ream	1	V
7144-0360	GENESIS II Resurfacing Pat Drill	1	U

Catalog	Description	Qty.	Ref.
7144-0402	GENESIS II Mod Resurfacing Patellar Drill Guide 26mm	1	DD
7144-0403	GENESIS II Mod Resurfacing Patellar Drill Guide 29mm	1	EE
7144-0404	GENESIS II Mod Resurfacing Patellar Drill Guide 32mm	1	FF
7144-0405	GENESIS II Mod Resurfacing Patellar Drill Guide 35mm	1	GG
7144-0474	GENESIS II Patella Cement Clamp Sleeve	1	N
7144-0510	GENESIS II Serrated Patellar Reamer Collet 23mm	1	B
7144-0512	GENESIS II Serrated Patellar Reamer Collet 26mm	1	C
7144-0514	GENESIS II Serrated Patellar Reamer Collet 29mm	1	D
7144-0516	GENESIS II Serrated Patellar Reamer Collet 32mm	1	E
7144-0518	GENESIS II Serrated Patellar Reamer Collet 35mm	1	F
7144-0634	GENESIS II Modified Biconvex Patellar Reamer	1	J
7144-0636	GENESIS II Modified Biconvex Patellar Reamer	1	K
7144-0638	GENESIS II Modified Biconvex Patellar Reamer	1	L
7144-0640	GENESIS II Modified Biconvex Patellar Reamer	1	M
7144-3131	LEGION Patella Prep Tray	1	N/A

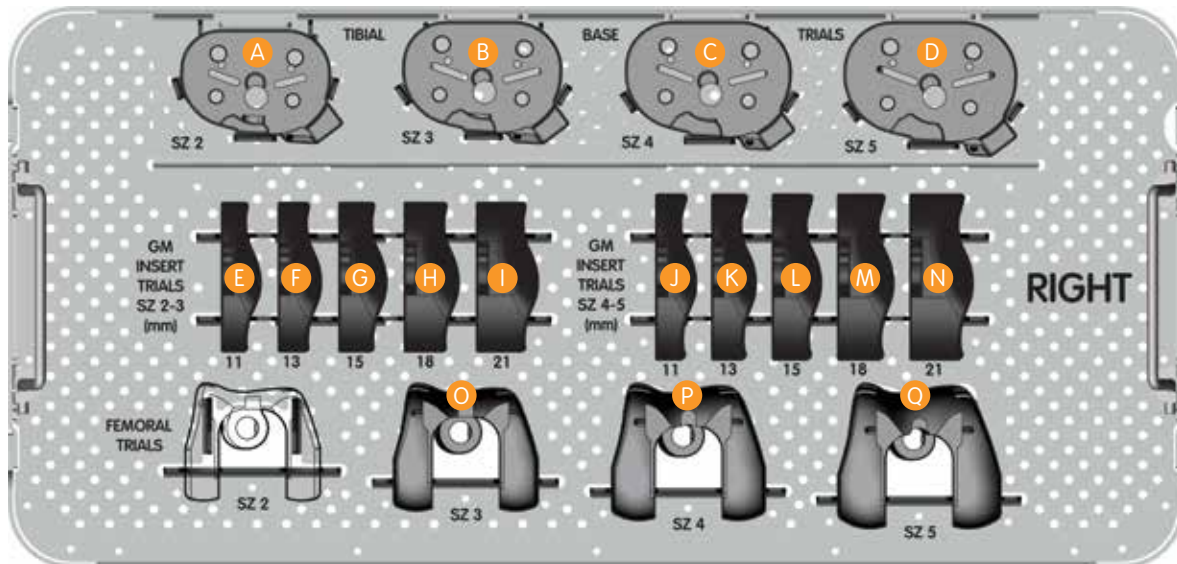
71430-031 LEGION° Optional Insert Tray

Catalog Item	Description	Qty	Ref.
7143-0031	LEGION Optional Insert Tray	1	N/A
7143-0490	GENESIS° li C/R Art Tr Size 3-4 9mm	1	E
7143-0492	GENESIS II C/R Art Tr Size 3-4 11mm	1	F
7143-0510	GENESIS II C/R Art Tr Size 7-8 9mm	1	M
7143-0512	GENESIS II C/R Art Tr Size 7-8 11mm	1	N
7143-0880	GENESIS II C/R Articular Trial Size 1-2 9mm	1	A
7143-0882	GENESIS II C/R Articular Trial Size 1-2 11mm	1	B
7143-0815	GENESIS II P/S Art Tr Size 3-4 9mm	1	G
7143-0817	GENESIS II P/S Art Tr Size 3-4 11mm	1	H
7143-0829	GENESIS II P/S Art Tr Size 5-6 9mm	1	K
7143-0831	GENESIS II P/S Art Tr Size 5-6 11mm	1	L
7143-0844	GENESIS II P/S Art Tr Size 7-8 9mm	1	O
7143-0846	GENESIS II P/S Art Tr Size 7-8 11mm	1	P
7143-0901	GENESIS II Post Stab Articular Trial Size 1-2 9mm	1	C
7143-0903	GENESIS II Post Stab Articular Trial Size 1-2 11mm	1	D
7403-3617	Universal Insert Spacer Size 1-2 21mm	1	R
7403-3637	Universal Insert Spacer Size 3-4 21mm	1	T

Catalog Item	Description	Qty.	Ref.
7403-3657	Universal Insert Spacer Size 5-6 21mm	1	V
7403-3677	Universal Insert Spacer Size 7-8 21mm	1	X
7143-0502	GENESIS II C/R Art Tr Size 5-6 11mm	1	J
7143-0500	GENESIS II C/R Art Tr Size 5-6 9mm	1	I
Not part of standard set			
	Universal Insert Spacer Size 1-2 25mm	0	Q
	Universal Insert Spacer Size 3-4 25mm	0	S
	Universal Insert Spacer Size 5-6 25mm	0	U
	Universal Insert Spacer Size 7-8 25mm	0	W

LEGION[◇] HK

Tray #7143-4521 Trials Tray Right – Total Case Weight 15.56 lbs – Tray Only Weight 9.87 lbs

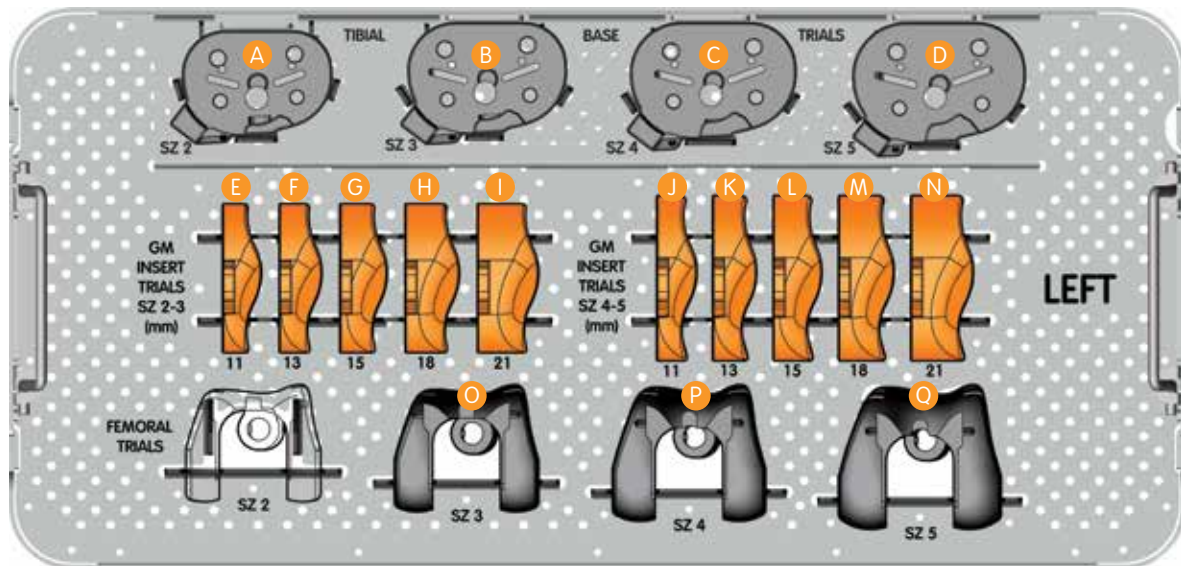


LEGION[◇] HK

Tray #7143-4521 Trials Tray Right

Catalog item	Description	Qty.	Ref.
7143-4185	LEGION Hinge Tibial Base Trial Size 2 Right	1	A
7143-4187	LEGION Hinge Tibial Base Trial Size 3 Right	1	B
7143-4189	LEGION Hinge Tibial Base Trial Size 4 Right	1	C
7143-4192	LEGION Hinge Tibial Base Trial Size 5 Right	1	D
7143-4531	LEGION Hinge Guided Motion Tibial Insert Trial 11mm Size 2-3 Right	1	E
7143-4533	LEGION Hinge Guided Motion Tibial Insert Trial 13mm Size 2-3 Right	1	F
7143-4535	LEGION Hinge Guided Motion Tibial Insert Trial 15mm Size 2-3 Right	1	G
7143-4537	LEGION Hinge Guided Motion Tibial Insert Trial 18mm Size 2-3 Right	1	H
7143-4539	LEGION Hinge Guided Motion Tibial Insert Trial 21mm Size 2-3 Right	1	I
7143-4542	LEGION Hinge Guided Motion Tibial Insert Trial 11mm Size 4-5 Right	1	J
7143-4544	LEGION Hinge Guided Motion Tibial Insert Trial 13mm Size 4-5 Right	1	K
7143-4546	LEGION Hinge Guided Motion Tibial Insert Trial 15mm Size 4-5 Right	1	L
7143-4548	LEGION Hinge Guided Motion Tibial Insert Trial 18mm Size 4-5 Right	1	M
7143-4551	LEGION Hinge Guided Motion Tibial Insert Trial 21mm Size 4-5 Right	1	N
7143-4169	LEGION Hinge Femoral Trial Size 3 Right	1	O
7143-4172	LEGION Hinge Femoral Trial Size 4 Right	1	P
7143-4174	LEGION Hinge Femoral Trial Size 5 Right	1	Q

Tray #7143-4522 Trials Tray Left – Total Case Weight 15.56 lbs – Tray Only Weight 9.87 lbs

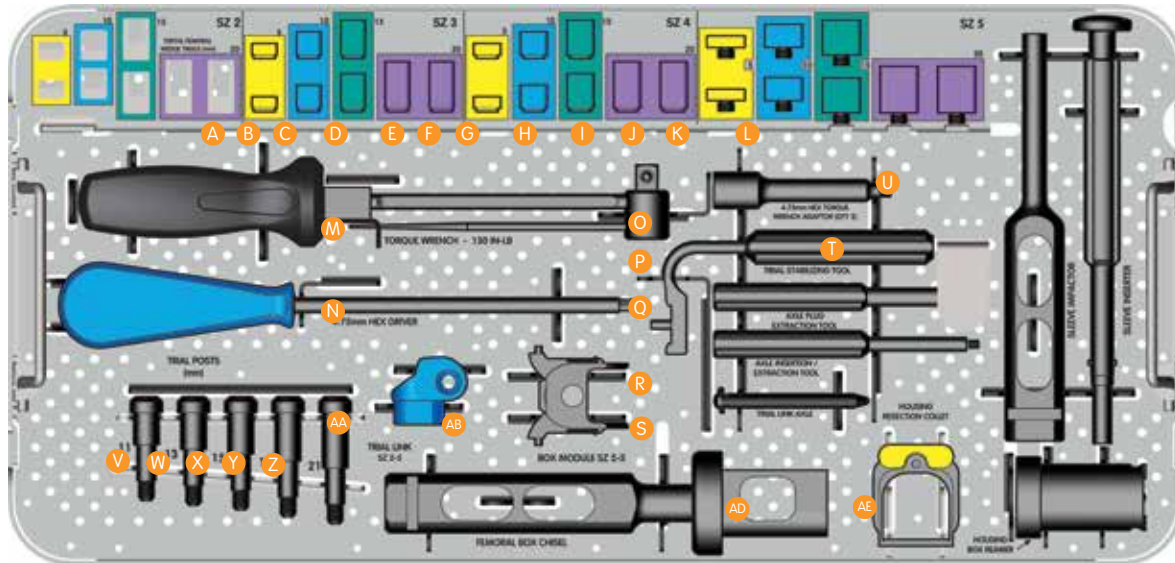


LEGION[◇] HK

Tray #7143-4522 Trials Tray Left

Catalog item	Description	Qty.	Ref.
7143-4184	LEGION Hinge Tibial Base Trial Size 2 Left	1	A
7143-4186	LEGION Hinge Tibial Base Trial Size 3 Left	1	B
7143-4188	LEGION Hinge Tibial Base Trial Size 4 Left	1	C
7143-4191	LEGION Hinge Tibial Base Trial Size 5 Left	1	D
7143-4532	LEGION Hinge Guided Motion Tibial Insert Trial 11mm Size 2-3 Left	1	E
7143-4534	LEGION Hinge Guided Motion Tibial Insert Trial 13mm Size 2-3 Left	1	F
7143-4536	LEGION Hinge Guided Motion Tibial Insert Trial 15mm Size 2-3 Left	1	G
7143-4538	LEGION Hinge Guided Motion Tibial Insert Trial 18mm Size 2-3 Left	1	H
7143-4541	LEGION Hinge Guided Motion Tibial Insert Trial 21mm Size 2-3 Left	1	I
7143-4543	LEGION Hinge Guided Motion Tibial Insert Trial 11mm Size 4-5 Left	1	J
7143-4545	LEGION Hinge Guided Motion Tibial Insert Trial 13mm Size 4-5 Left	1	K
7143-4547	LEGION Hinge Guided Motion Tibial Insert Trial 15mm Size 4-5 Left	1	L
7143-4549	LEGION Hinge Guided Motion Tibial Insert Trial 18mm Size 4-5 Left	1	M
7143-4552	LEGION Hinge Guided Motion Tibial Insert Trial 21mm Size 4-5 Left	1	N
7143-4168	LEGION Hinge Femoral Trial Size 3 Left	1	O
7143-4171	LEGION Hinge Femoral Trial Size 4 Left	1	P
7143-4173	LEGION Hinge Femoral Trial Size 5 Left	1	Q

Tray #7143-4523 Miscellaneous Instrument Tray – Total Case Weight 18.67 lbs – Tray Only Weight 12.98 lbs



LEGION[◇] HK

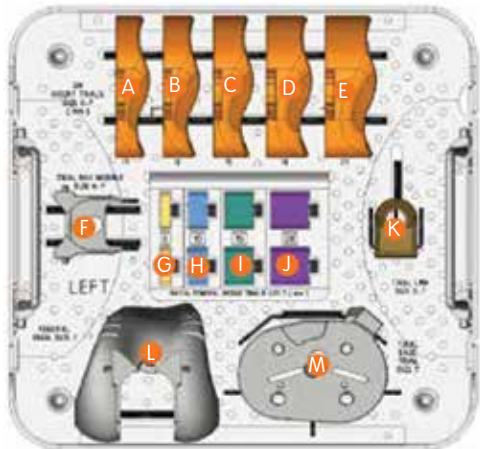
7143-4523 Miscellaneous Instrument Tray

Catalog	Description	Qty.	Ref.
7143-4229	LEGION Hinge Distal Femoral Wedge Trial Size 3, 5mm	2	A
7143-4274	LEGION Hinge Distal Femoral Wedge Trial Size 3, 10mm	2	B
7143-4275	LEGION Hinge Distal Femoral Wedge Trial Size 3, 15mm	2	C
7143-4222	LEGION Hinge Distal Femoral Wedge Trial Size 3, 20mm	2	D
7143-4276	LEGION Hinge Distal Femoral Wedge Trial Size 4, 5mm	2	E
7143-4277	LEGION Hinge Distal Femoral Wedge Trial Size 4, 10mm	2	F
7143-4278	LEGION Hinge Distal Femoral Wedge Trial Size 4, 15mm	2	G
7143-4223	LEGION Hinge Distal Femoral Wedge Trial Size 4, 20mm	2	H
7143-4279	LEGION Hinge Distal Femoral Wedge Trial Size 5, 5mm	2	I
7143-4281	LEGION Hinge Distal Femoral Wedge Trial Size 5, 10mm	2	J
7143-4282	LEGION Hinge Distal Femoral Wedge Trial Size 5, 15mm	2	K
7143-4224	LEGION Hinge Distal Femoral Wedge Trial Size 5, 20mm	2	L
7143-4464	LEGION Hinge Torque Wrench	1	M
7143-4486	LEGION HK 4.75mm Hex Driver	1	N
7143-4487	LEGION HK 4.75mm Hex Torque Wrench Adaptor	1	O

Catalog	Description	Qty.	Ref.
7143-4465	LEGION Hinge Tibial Stabilizing Tool	1	P
7143-4394	LEGION Hinge Axle Plug Extraction Tool	1	Q
7143-4393	LEGION Hinge Axle Insertion/Extraction Tool	1	R
7143-4463	LEGION Hinge Trial Link Axle	1	S
7143-4496	LEGION Hinge Sleeve Impactor	1	T
7143-4495	LEGION Hinge Sleeve Inserter	1	U
7143-4395	LEGION Hinge 11mm Trial Post	1	V
7143-4396	LEGION Hinge 13mm Trial Post	1	W
7143-4397	LEGION Hinge 15mm Trial Post	1	X
7143-4398	LEGION Hinge 18mm Trial Post	1	Y
7143-4399	LEGION Hinge 21mm Trial Post	1	Z
7143-4462	LEGION Hinge Trial Link Size 2-5	1	AA
7143-4457	LEGION Hinge Trial Box Module Size 2-5	1	AB
7143-4468	LEGION Hinge Femoral Box Chisel	1	AC
7143-4466	LEGION Hinge Housing Resection Collet	1	AD
7143-4467	LEGION Hinge Housing Box Reamer	1	AE

LEGION[◇] HK

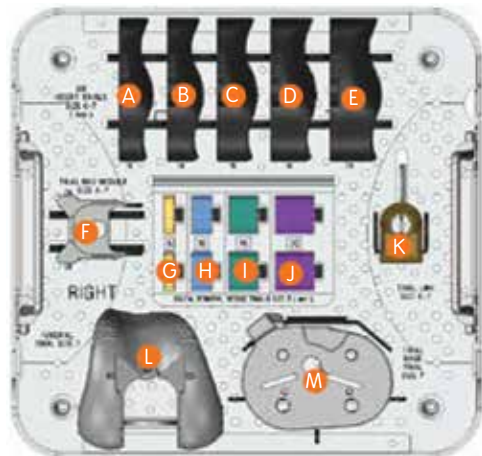
**7144-1592 Size 7 Left Tray – Total Case Weight 10.97 lbs – Tray Only Weight 5.28 lbs
Loaded Weight Combined with 7144-1591 In An Outer 16.25 lbs**



Catalog	Description	Qty.	Ref.
7143-4554	LEGION Hinge Guided Motion Tibial Insert Trial 11mm Size 6-7 Left	1	A
7143-4556	LEGION Hinge Guided Motion Tibial Insert Trial 13mm Size 6-7 Left	1	B
7143-4558	LEGION Hinge Guided Motion Tibial Insert Trial 15mm Size 6-7 Left	1	C
7143-4561	LEGION Hinge Guided Motion Tibial Insert Trial 18mm Size 6-7 Left	1	D
7143-4563	LEGION Hinge Guided Motion Tibial Insert Trial 21mm Size 6-7 Left	1	E
7143-4458	LEGION Hinge Trial Box Module Size 6-7	1	F
7143-4286	LEGION Hinge Distal Femoral Wedge Trial Size 7 5mm	2	G
7143-4287	LEGION Hinge Distal Femoral Wedge Trial Size 7 10mm	2	H
7143-4288	LEGION Hinge Distal Femoral Wedge Trial Size 7 15mm	2	I
7143-4226	LEGION Hinge Distal Femoral Wedge Trial Size 7 20mm	2	J
7143-4497	LEGION Hinge Trial Link Size 6-7	1	K
7143-4177	LEGION Hinge Femoral Trial Size 7 Left	1	L
7143-4195	LEGION Hinge Tibial Base Trial Size 7 Left	1	M

LEGION[◇] HK

7144-1591 Size 7 Right Tray – Total Case Weight 10.97 lbs – Tray Only Weight 5.28 lbs
 Loaded Weight Combined with 7144-1591 In An Outer 16.25 lbs



Catalog	Description	Qty.	Ref.
7143-4553	LEGION Hinge Guided Motion Tibial Insert Trial 11mm Size 6-7 Right	1	A
7143-4555	LEGION Hinge Guided Motion Tibial Insert Trial 13mm Size 6-7 Right	1	B
7143-4557	LEGION Hinge Guided Motion Tibial Insert Trial 15mm Size 6-7 Right	1	C
7143-4559	LEGION Hinge Guided Motion Tibial Insert Trial 18mm Size 6-7 Right	1	D
7143-4562	LEGION Hinge Guided Motion Tibial Insert Trial 21mm Size 6-7 Right	1	E
7143-4458	LEGION Hinge Trial Box Module Size 6-7	1	F
7143-4286	LEGION Hinge Distal Femoral Wedge Trial Size 7 5mm	2	G
7143-4287	LEGION Hinge Distal Femoral Wedge Trial Size 7 10mm	2	H
7143-4288	LEGION Hinge Distal Femoral Wedge Trial Size 7 15mm	2	I
7143-4226	LEGION Hinge Distal Femoral Wedge Trial Size 7 20mm	2	J
7143-4497	LEGION Hinge Trial Link Size 6-7	1	K
7143-4177	LEGION Hinge Femoral Trial Size 7 Left	1	L
7143-4195	LEGION Hinge Tibial Base Trial Size 7 Left	1	M

Flexibility
Durability
Clinical heritage

The Power of Simplicity

Smith & Nephew, Inc.

1450 Brooks Road
Memphis, TN 38116
USA

Telephone: 1-901-396-2121
Information: 1-800-821-5700
Orders/inquiries: 1-800-238-7538

www.legionpower.com



°Trademark of Smith & Nephew. Reg. US Pat. & TM Off.

02861 V1 02/15