



LumiStreet gen2

BGP293 LED149-4S/740 II DM50 D9 48/60S

LumiStreet gen2 Medium - LED module 14900 lm - 740 neutral white - Safety class II - Distribution medium 50 - Side-entry for diameter 48 to 60 mm

Increasing numbers of municipalities are having to upgrade large-scale conventional street lighting installations with energy efficient LED technology. But they are having to do this with smaller and smaller budgets. That's why the new generation of LumiStreet has been upgraded and designed to provide a solution to this challenge, it is the ideal solution for performing point-to-point replacement of conventional lighting. LumiStreet gen2 achieves this by offering high efficiency, low Total Cost of Ownership, and ease of installation and maintenance. The ease of installation and maintenance is enabled by the Philips Service tag. Moreover, the Philips SR (System Ready) socket makes it future-ready and you can pair this luminaire with lighting control and software applications such as Interact City.

Product data

General information	
Lamp family code	LED149 [LED module 14900 lm]
Light source color	740 neutral white
Light source replaceable	Yes
Number of gear units	1 unit
Driver/power unit/transformer	Power supply unit with DALI interface
Driver included	Yes
Optical cover/lens type	Flat glass
Luminaire light beam spread	154° - 31° x 54°
Control interface	DALI
Connection	2 Push-in connector 5-pole
Cable	-
Protection class IEC	Safety class II
Flammability mark	For mounting on normally flammable surfaces
CE mark	Yes
ENEC mark	ENEC plus mark
Warranty period	5 years
Optic type outdoor	Distribution medium 50
Remarks	* At extreme ambient temperatures the luminaire might automatically dim down to protect components
Constant light output	No

LumiStreet gen2

Number of products on MCB of 16 A type B	8
EU RoHS compliant	Yes
Light source engine type	LED
Service tag	Yes
Serviceability class	Class A, luminaire is equipped with serviceable parts (when applicable): LED board, driver, control units, surge protection device, optics, front cover and mechanical parts
Product family code	BGP293 [LumiStreet gen2 Medium]

Light technical

Upward light output ratio	0
Standard tilt angle posttop	0°
Standard tilt angle side entry	0°

Operating and electrical

Input Voltage	220 to 240 V
Input Frequency	50 to 60 Hz
Inrush current	53 A
Inrush time	0.3 ms
Power Factor (Min)	0.99

Controls and dimming

Dimmable	Yes
----------	-----

Mechanical and housing

Housing Material	Aluminum die cast
Reflector material	Polycarbonate
Optic material	Polymethyl methacrylate
Optical cover/lens material	Glass
Fixation material	Aluminum
Mounting device	Side-entry for diameter 48 to 60 mm
Optical cover/lens shape	Flat
Optical cover/lens finish	Clear
Overall length	626 mm
Overall width	340 mm
Overall height	95 mm
Effective projected area	0.0246 m ²
Color	Gray
Dimensions (Height x Width x Depth)	95 x 340 x 626 mm

Approval and application

Ingress protection code	IP66 [Dust penetration-protected, jet-proof]
-------------------------	---

Mech. impact protection code	IK08 [5 J vandal-protected]
Surge Protection (Common/Differential)	Luminaire surge protection level until 6 kV differential mode and 8 kV common mode
Sustainability rating	-

Initial performance (IEC compliant)

Initial luminous flux (system flux)	12900 lm
Luminous flux tolerance	+/-7%
Initial LED luminaire efficacy	147 lm/W
Init. Corr. Color Temperature	4000 K
Init. Color Rendering Index	70
Initial chromaticity	(0.381, 0.379) SDCM <5
Initial input power	88 W
Power consumption tolerance	+/-10%
Init. Color Rendering Index Tolerance	+/-2

Over time performance (IEC compliant)

Driver failure rate at 5000 h	0.5 %
Control gear failure rate at median useful life 100000 h	10 %
Lumen maintenance at median useful life* 100000 h	L96

Application conditions

Ambient temperature range	-40 to +50 °C
Performance ambient temperature Tq	25 °C
Maximum dim level	0% (digital)

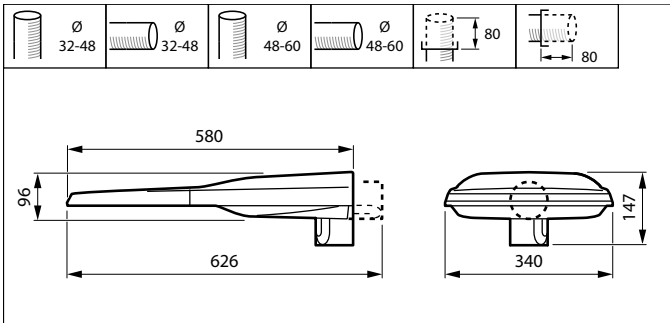
Product data

Full product code	871951410027500
Order product name	BGP293 LED149-4S/740 II DM50 D9 48/60S
EAN/UPC - Product	8719514100275
Order code	910925866762
Numerator - Quantity Per Pack	1
Numerator - Packs per outer box	1
Material Nr. (12NC)	910925866762
Net Weight (Piece)	6.500 kg



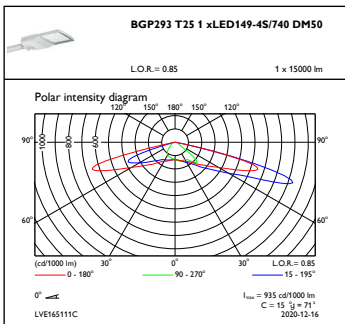
LumiStreet gen2

Dimensional drawing

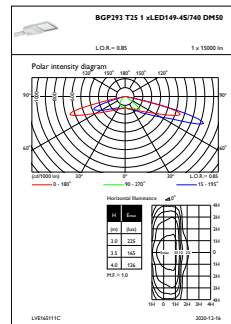


BGP293 LED149-4S/740 II DM50 D9 48/60S

Photometric data



OFPC1_BGP293T251xLED149-4S740DM50



OFPL1_BGP293T251xLED149-4S740DM50

