

Ralco

X-RAY COLLIMATORS



Value, Quality and Experience



R 302/A

Multilayer, square field, manual collimation system intended for installation on stationary X-ray equipment. This device has been designed and manufactured for skeletal and thoracic investigations.

This model includes the following standard features:

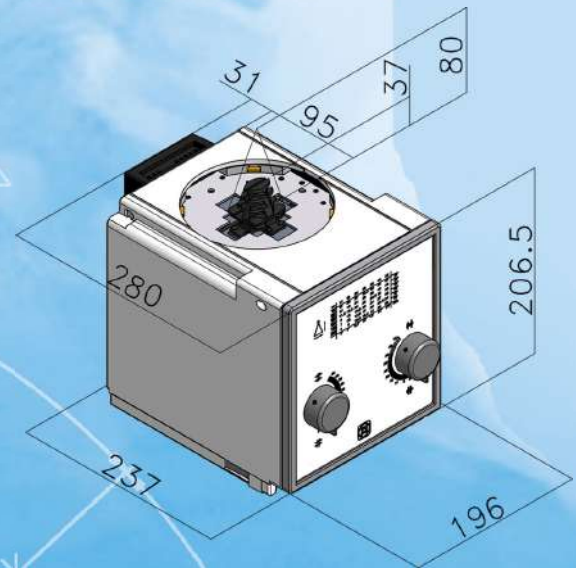
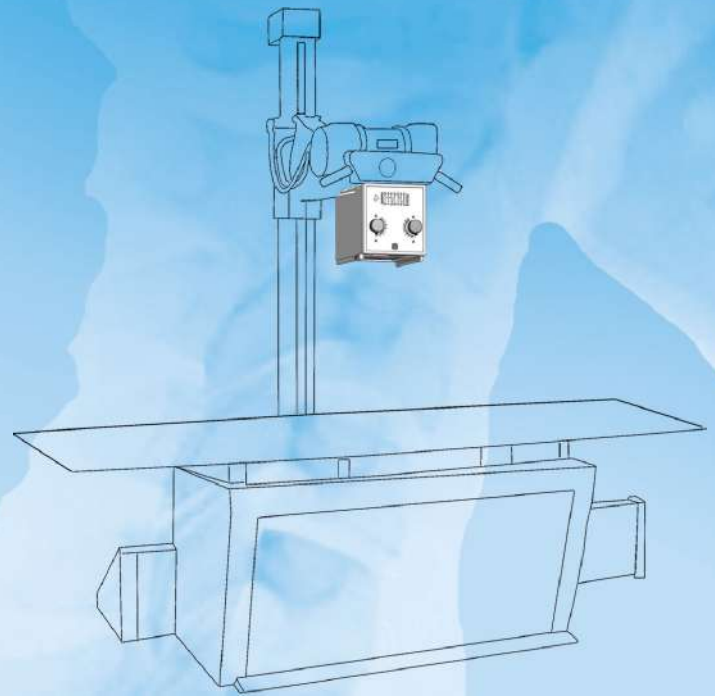
- Maximum Radiation Leakage: 150 kVp - 4 mA
- Multilayer Square Field: 0x0 cm to 48x48 cm at 100 cm SID
- Minimum Inherent Filtration: 2 mm Al equivalent
- White LED
- Dimensions: 280x196x206.5 mm
- Weight: 9.4 Kg
- 6 Pairs of Shutters
- Color Customizations and Many Other Personalization Options Available

R 302/A

TECHNICAL FEATURES

Application	Ceiling Suspension and Tube Stand X-Ray Equipment		
Mode of Operation	Manual		
Power Supply	24 V AC/DC - 2 A		
cCSAUs and DHHS Certification	◆		
Mounting Plane	Standard: 80 mm		
	Customized	×	
Leakage Radiation	125 kVp - 4 mA	×	
	150 kVp - 4 mA	✓	
Field Type	Square Field	With Potentiometer	×
		Without Potentiometer	✓
	Round Field		×
Minimum Inherent Filtration	2 mm Al equivalent	✓	
	1 mm Al equivalent	◆	
	0.3 mm Al equivalent	◆	
Additional Variable Filtration	Manual	◆	
	Motorized	×	
Light Source	LED	✓	
	Halogen Lamp	◆	
	No Light	×	
SID Measurement	Electronic	×	
	Retractable Tape Measure	◆	
Image Receptor Alignment	Centering Light	◆	
	Single Laser	Class I	◆
		Class II	◆
	Double Laser	Class I	◆
Class II		◆	
Flanges and Spacers	Iron mounting flange spacers: 1.5 mm thickness		◆
	Fixed	Metal	◆
		Resin	×
	Rotating	Metal	◆
Resin		◆	
Collimator Mounting Method	Manual Alignment with Metal Flange	✓	
	Automatic Centering with Metal Flange	◆	
	Automatic Centering with Resin Flange	◆	
	Customized Attachment	◆	
User Interface	CAN-Bus	×	
	CAN-Open	×	
Patient Monitoring Camera	◆		
Asymmetric Longitudinal Shutters	◆		

✓ Standard ◆ Optional × Not Available



HEAD OFFICE

Via Dei Tigli 13G
20853 BIASSONO (MB)
ITALY
Tel. 0039 039 24 979 25
FAX 0039 039 24 977 99
Email: ralco@ralco.it
www.ralco.it
Skype: [ralco_s.r.l.](https://www.skype.com/name/ralco_s.r.l)

AMERICAN OFFICE

4970 Robert J. Mathews Pkwy #180
El Dorado Hills, CA 95762
USA
Tel. 001 916 990 5172
Email: info@ralcousa.com
www.ralcousa.com
Skype: [ralcousa](https://www.skype.com/name/ralcousa)

CUSTOM MODELS ON REQUEST

DR R 302/A Rev. B - MRD/015/21