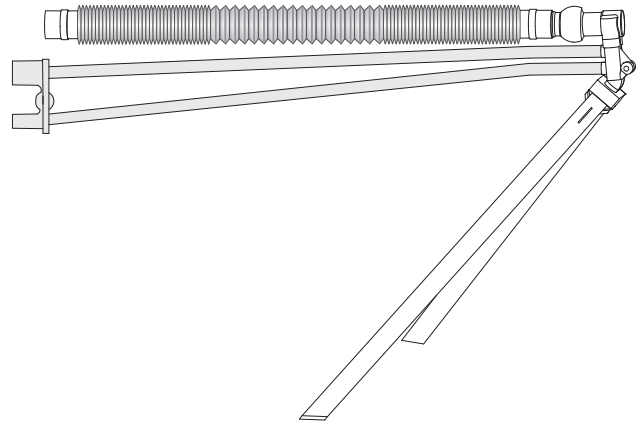




# nCPAP System

## nCPAP Generator

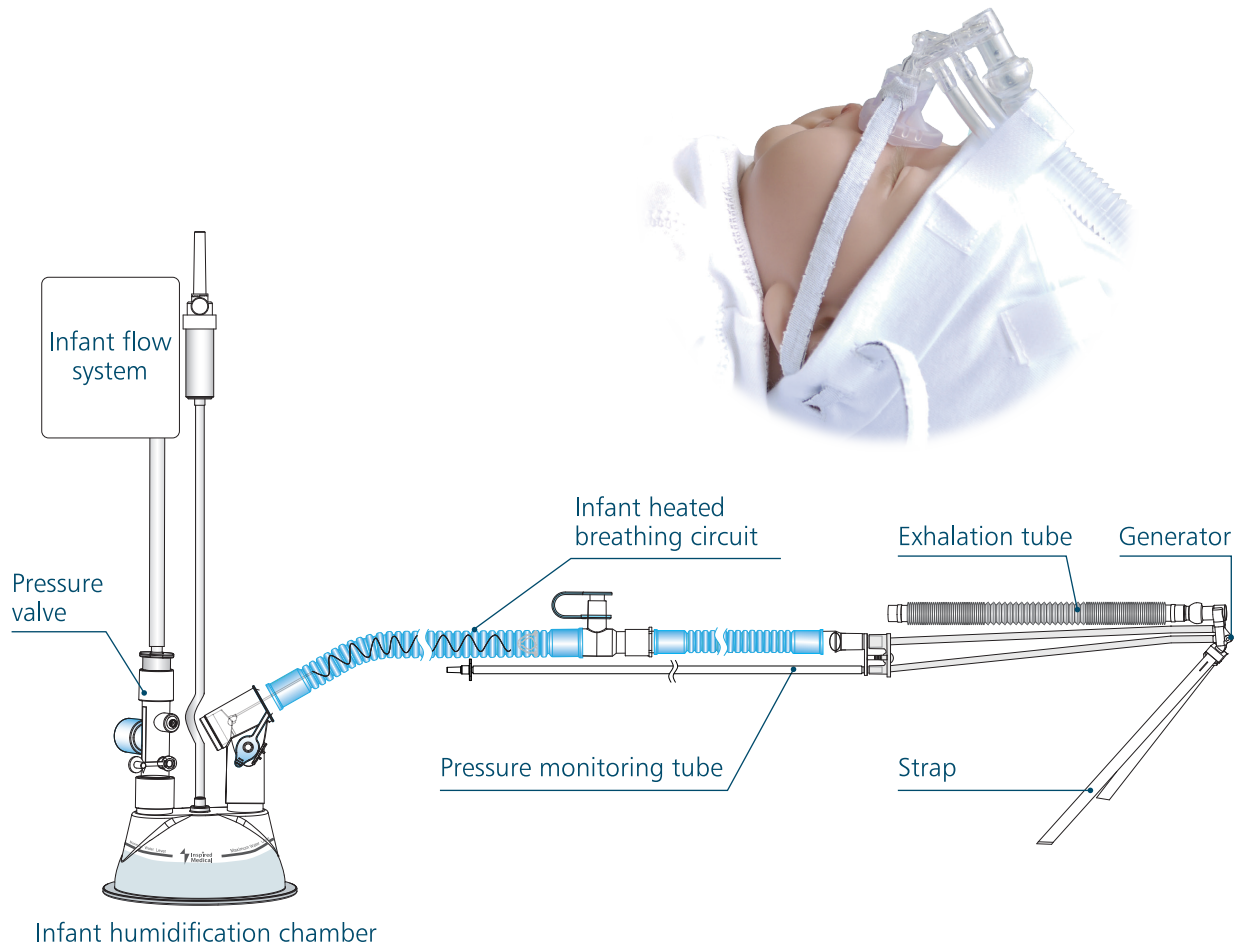
nCPAP Generator is a single use device that combines integrated designs with functionality and comfort for respiratory support for premature babies and infants with difficulty in breathing.



Infant CPAP with **nCPAP generator** comes with the following accessories:

- **bonnets**
- **bonnet size guide**
- **nasal prongs**
- **nasal masks**
- **masks and prongs sizing guide**

## nCPAP System



## Bonnets

- \* Available separately in 12 color-coded sizes.
- \* Made with 100% cotton jersey fabric for patient comfort.
- \* Each bonnet includes 3 velcro fasteners and secure attachment points for ease of use and fixing to the nCPAP patient interface.

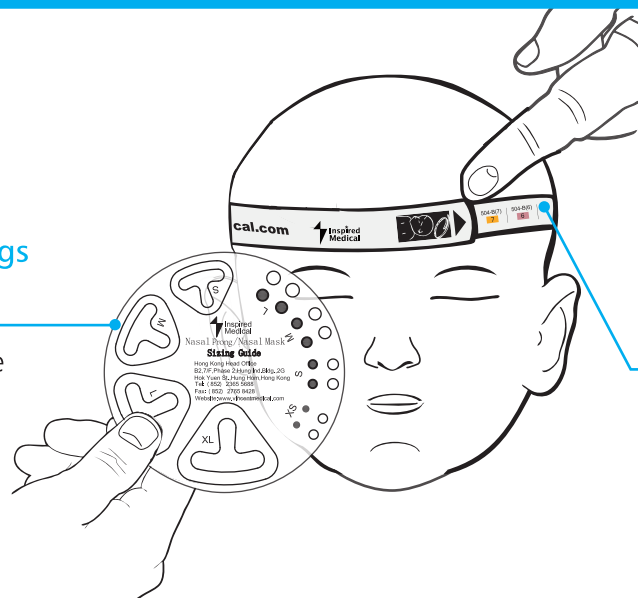


FSC No.	Part No.	Configuration			Box Qty.
504-B(000)	51005300	Size 000 (16-18 cm)	White	○	500
504-B(00)	51005302	Size 00 (18-20 cm)	Grey	●	500
504-B(0)	51005303	Size 0 (20-22 cm)	Pink	●	500
504-B(1)	51005304	Size 1 (22-24 cm)	Brown	●	500
504-B(2)	51005305	Size 2 (24-26 cm)	Yellow	●	500
504-B(3)	51005306	Size 3 (26-28 cm)	Blue	●	500
504-B(4)	51005307	Size 4 (28-30 cm)	Gold	●	500
504-B(5)	51005308	Size 5 (30-32 cm)	Green	●	500
504-B(6)	51005309	Size 6 (32-34 cm)	Burgundy	●	500
504-B(7)	51005310	Size 7 (34-36 cm)	Orange	●	500
504-B(8)	51005311	Size 8 (36-38 cm)	Dark Green	●	500
504-B(9)	51005312	Size 9 (38-40 cm)	Navy	●	500

### Choose the nCPAP Generator and Bonnet

#### Masks and Prongs Sizing Guide

Help to choose the appropriate nasal prong or mask.



#### Bonnet Sizing Spacing

Available separately in 12 color-coded sizes. Each bonnet includes 3 velcro fasteners and secure attachment points.

504-B(9)	504-B(8)	504-B(7)	504-B(6)	504-B(5)	504-B(4)	504-B(3)	504-B(2)	504-B(1)	504-B(0)	504-B(00)	504-B(000)	<a href="http://www.vincentmedical.com">http://www.vincentmedical.com</a>	Inspired Medical
504-B(9)	504-B(8)	504-B(7)	504-B(6)	504-B(5)	504-B(4)	504-B(3)	504-B(2)	504-B(1)	504-B(0)	504-B(00)	504-B(000)	<a href="http://www.vincentmedical.com">http://www.vincentmedical.com</a>	Inspired Medical
504-B(9)	504-B(8)	504-B(7)	504-B(6)	504-B(5)	504-B(4)	504-B(3)	504-B(2)	504-B(1)	504-B(0)	504-B(00)	504-B(000)	<a href="http://www.vincentmedical.com">http://www.vincentmedical.com</a>	Inspired Medical

## Nasal Prongs

- \* Ergonomic design.
- \* Made with soft, comfortable silicone, pliable and gentle on nares with good seal.
- \* Available separately in 4 sizes with different colors.



FSC No.	Part No.	Configuration	Box Qty.
504-NP(XS)	51005454	nCPAP Nasal Prong XS Green ●	100
504-NP(S)	51005467	nCPAP Nasal Prong S Red ●	100
504-NP(M)	51005468	nCPAP Nasal Prong M Blue ●	100
504-NP(L)	51005469	nCPAP Nasal Prong L Purple ●	100

## Nasal Masks

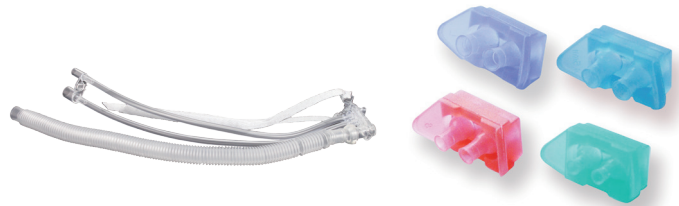
- \* Ergonomic design with 4 sizes.
- \* Made with soft, comfortable silicone, anatomically shaped.
- \* Ideal size and depth designed for good seal contact with less force.
- \* Different sizes with colour coded sizing.



FSC No.	Part No.	Configuration	Box Qty.
504-NM(S)	51005455	nCPAP Nasal Mask S Red ●	100
504-NM(M)	51005456	nCPAP Nasal Mask M Blue ●	100
504-NM(L)	51005457	nCPAP Nasal Mask L Purple ●	100
504-NM(XL)	51005458	nCPAP Nasal Mask XL Primary color ○	100

## Infant CPAP

- \* Infant CPAP with two configurations:
  - nCPAP Generator
  - nCPAP Generator+ S/M/L Nasal prong



FSC No.	Part No.	Configuration	Box Qty.
504-NCG	51005209	nCPAP Generator	60
504-NCK(4)	51005286	nCPAP Generator+S/M/L Nasal prong	60

### Hong Kong Office

Flats B2&C2, 7/F, Phase 2, Hang Fung Industrial Bldg, 2G Hok Yuen Street, Hung Hom, Kowloon, Hong Kong, China  
Tel: +852 2365 5688  
Fax: +852 2765 8428

### Shenzhen Office

(1705)office,Block A, Galaxy World, 1 Yabao Road Long gang District, Shenzhen, China  
Postal Code: 518129  
Tel: +86(755) 2830 1036  
Fax: +86(755) 2830 3376

### China factory

45-46 Sha Bu Industrial Zone, Qiao Long District, Tang Xia, Dong Guan, Guang Dong, China  
Postal Code: 523730