

Industrial Batteries / Network Power

Sonnenschein A500



*»A powerful, universal
safety package«*



Industrial Batteries

The powerful range of Network Power

GNB® Industrial Power offers reliable energy storage solutions for critical systems requiring uninterrupted power supply. With a comprehensive product range based on state-of-the-art technologies, GNB delivers the right battery for every application.

The below table is only indicative and depends on the specific customer application. For more information please ask a GNB sales representative.

Applications	Battery ranges																		
	Sonnenschein							Marathon		Sprinter		Absolyte	Powerfit	Classic					
	A400/A600	A400 FT	A500	A700	SOLAR	RAIL	Power Cycle	M-FT	L/XL	P/XP	XP-FT	GP/GX	S100/S300	GroE	OCSM	OPzS	Energy Bloc/OGi	Solar	rail
Telecom	●	●	●	●			●	●		●	●								
UPS	●	●	●	●			●	●	●	●	●								
Emergency lighting	●	●	●	●			●	●	●	●	●	●							
Security	●		●	●						●	●		●						
Utility	●	●		●			●	●				●		●	●	●	●		
Railways	●	●	●	●		●	●	●				●							●
Photovoltaic					●		●					●							●
Universal	●	●	●	●			●	●	●	●	●	●	●						

Powerful product brands



> VRLA batteries (Valve Regulated Lead Acid) in which the electrolyte is fixed in an Absorbent Glass Mat (AGM)



- > Excellent high current capability
- > Very economical
- > Maintenance-free (no topping up)



> VRLA batteries (Valve Regulated Lead Acid) in which the electrolyte is fixed in a gel (dryfit® technology)

- > Inventor of Gel technology
- > Highest reliability, even in non-optimal conditions
- > Particularly suitable for cyclic applications
- > Maintenance-free (no topping up)



- > Conventional lead-acid batteries with liquid electrolyte
- > Extreme reliability, proven over decades
- > Low maintenance

Sonnenschein A500

Unmatched, high reliability dryfit Gel technology

Batteries of the Sonnenschein A500 range provide high capacities for many different applications. This range has been successfully in use for over twenty years in many installations worldwide. The success of A500 batteries comes from the superior dryfit technology, available in a wide range of models to provide a solution for every power need.

Your benefits:

- > **dryfit Gel** – VRLA technology
- > **Lowest energy consumption** – saving costs
- > **Robust design** – resilient in harsh conditions
- > **Proof against deep discharge** – greater long-term energy delivery
- > **Completely recyclable** – low CO₂ footprint



Specifications:

- > Nominal capacity 1.20 - 200 Ah C₂₀
- > Excellent energy storage capacity combined with high reliability
- > Grid plate construction with high quality lead calcium alloy, specially designed for enhanced energy density
- > Very low gassing due to the internal gas recombination
- > Design life: »10-12 Years – Long Life« according to EURO-BAT 2015 classification
- > Shelf life up to 2 years at 20 °C without recharge due to the very low self discharge rate
- > Superior cycling performance
- > Designed in accordance with IEC 60896-21/-22
- > Approval: UL (Underwriter Laboratories)
- > Trouble-free transport of operational blocks, no restrictions for rail, road, sea and air transportation (IATA, DGR, clause A67)
- > Manufactured in Europe in our ISO 9001 certified production plants



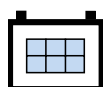
10-12 years
– Long Life



Nominal capacity
1.20 - 200 Ah



Block battery



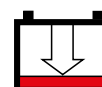
Grid plate



Recyclable



Valve regulated
lead-acid
batteries



Proof
against deep
discharge



Maintenance
free (no
topping up)

Sonnenschein A500

Technical Data

Technical characteristics and data

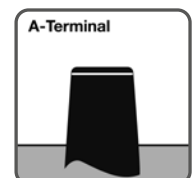
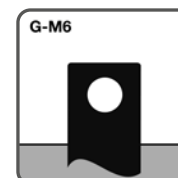
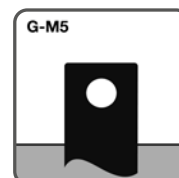
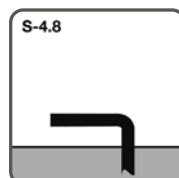
Type	Part number	Nom. voltage V	Nominal capacity C ₂₀ 1.75 Vpc 20°C Ah	Length (l) max. mm	Width (b/w) max. mm	Height up to top of cover (h1) max. mm	Height over terminals (h2) max. mm	Weight*** approx. kg	Internal resistance mOhm	Short circuit current A	Terminal
A502/10 S	NGA5020010HS0SA	2	10.0	52.9	50.5	94.5	98.4	0.70	11.2	189	S-4.8
A504/3.5 S	NGA50403D5HS0SA	4	3.50	90.5	34.5	60.5	64.4	0.50	48.0	88.0	S-4.8
A506/1.2 S	NGA50601D2HS0SA	6	1.20	97.3	25.5	51.0	55.6	0.33	165	38.0	S-4.8
A506/3.5 S	NGA50603D5HS0SA	6	3.50	135	34.8	60.5	64.4	0.70	71.0	88.0	S-4.8
A506/6.5 S	NGA50606D5HS0SA	6	6.50	152	34.5	94.5	98.4	1.30	48.0	131	S-4.8
A506/10 S*	NGA5060010HS0SA	6	10.0	152	50.5	94.5	98.4	2.10	34.0	189	S-4.8
A508/3.5 S	NGA50803D5HS0SA	8	3.50	179	34.1	60.5	64.4	1.00	95.0	88.0	S-4.8
A512/1.2 S*	NGA51201D2HS0SA	12	1.20	97.5	49.5	51.0	54.9	0.65	330	38.0	S-4.8
A512/2 S*	NGA5120002HS0SA	12	2.00	179	34.1	60.5	64.4	1.00	172	73.0	S-4.8
A512/3.5 S*	NGA51203D5HS0SA	12	3.50	135	66.8	60.5	64.4	1.50	142	88.0	S-4.8
A512/6.5 S*	NGA51206D5HS0SA	12	6.50	152	65.5	94.5	98.4	2.60	95.0	131	S-4.8
A512/10 S*	NGA5120010HS0SA	12	10.0	152	98.0	94.5	98.4	4.00	66.0	189	S-4.8
A512/16 G5*	NGA5120016HS0BA	12	16.0	181	76.0	167	167	6.00	37.8	340	G-M5
A512/25 G5*	NGA5120025HS0BA	12	25.0	167	176	126	126	9.60	28.0	463	G-M5
A512/30 G6*	NGA5120030HS0BA	12	30.0	197	132	161	180	11.1	21.8	586	G-M6
A512/40 A*	NGA5120040HSOCA	12	40.0	210	175	175	175	14.2	16.5	770	A-Terminal
A512/40 G6*	NGA5120040HS0BA	12	40.0	210	175	175	175	14.2	16.5	770	G-M6
A512/55 A	NGA5120055HSOCA	12	55.0	261	135	208	230	18.1	10.9	1147	A-Terminal
A512/60 A	NGA5120060HSOCA	12	60.0	278	175	190	190	20.3	14.0	936	A-Terminal
A512/60 G6	NGA5120060HS0BA	12	60.0	278	175	190	190	20.3	14.0	936	G-M6
A512/65 A	NGA5120065HSOCA	12	65.0	353	175	190	190	23.0	8.30	1471	A-Terminal
A512/65 G6	NGA5120065HS0BA	12	65.0	353	175	190	190	23.0	8.30	1471	G-M6
A512/85 A*	NGA5120085HSOCA	12	85.0	330	171	213	236	29.2	7.40	1693	A-Terminal
A512/115 A	NGA5120115HSOCA	12	115	286	269	208	230	37.5	5.50	2275	A-Terminal
A512/120 A	NGA5120120HSOCA	12	120	513	189	195	219	39.0	5.10	2475	A-Terminal
A512/140 A	NGA5120140HSOCA	12	140	513	223	195	219	47.0	4.10	3132	A-Terminal
A512/200 A	NGA5120200HSOCA	12	200	518	274	216	238	63.5	3.80	3370	A-Terminal

* VDS approval · ** max. load with suitable matching contacts · *** Actual weight may differ by ±5%

Container, approval, terminal and torque

> **Container:** 1.2 - 16 Ah = ABS
25 - 200 Ah = Polypropylene (PP)

> **Approval:** Underwriters Laboratories (UL), USA
VdS (Types see above)
DIN/Gost/TÜV, Russia
DNV GL (Germanischer Lloyd)



5 Nm

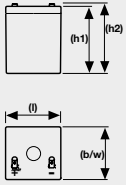
6 Nm

8 Nm

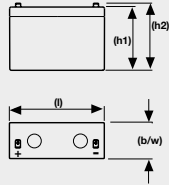
Sonnenschein A500

Drawings

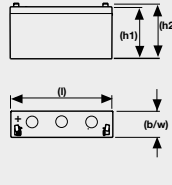
A502/10 S



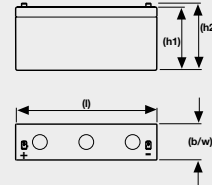
A504/3.5 S



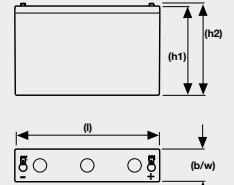
A506/1.2 S



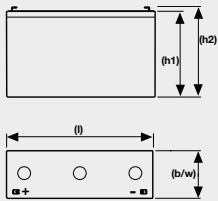
A506/3.5 S



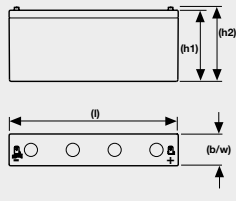
A506/6.5 S



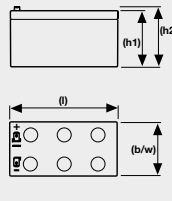
A506/10 S



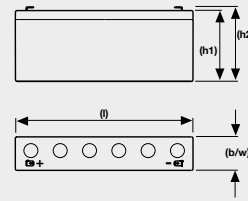
A508/3.5 S



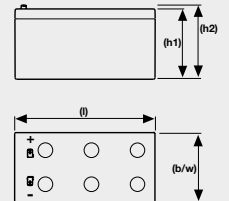
A512/1.2 S



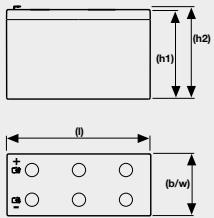
A512/2 S



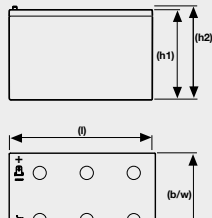
A512/3.5 S



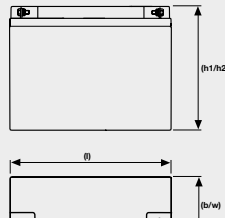
A512/6.5 S



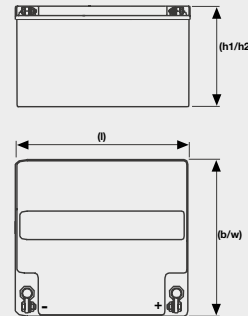
A512/10 S



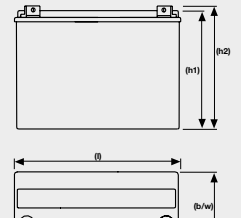
A512/16 G5



A512/25 G5



A512/30 G6

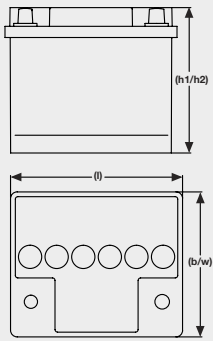


Not to scale!

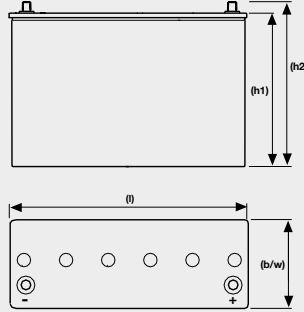
Sonnenschein A500

Drawings

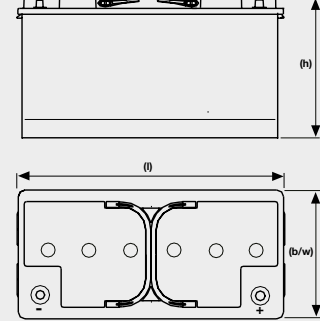
A512/40 A
(A512/40 G6)*



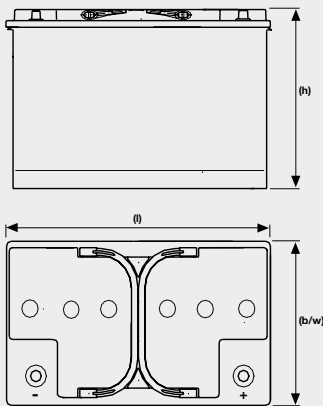
A512/55 A



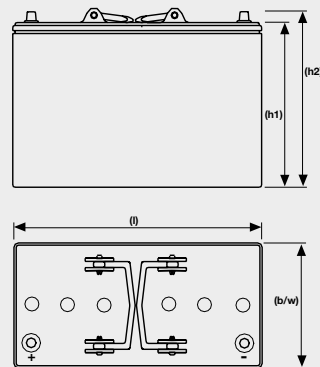
A512/60 A
(A512/60 G6)*



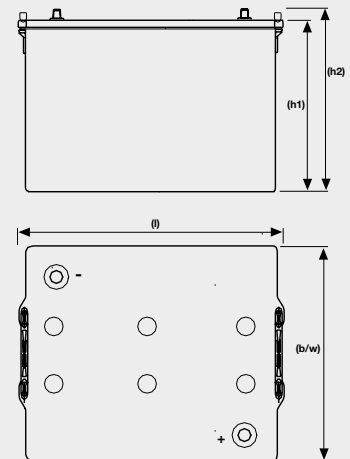
A512/65 A
(A512/65 G6)*



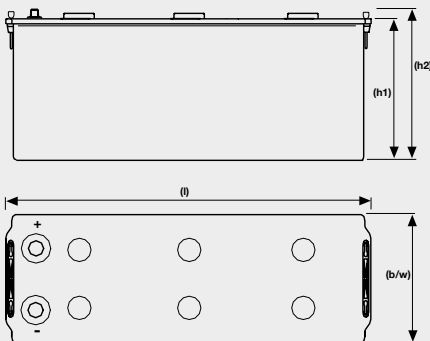
A512/85 A



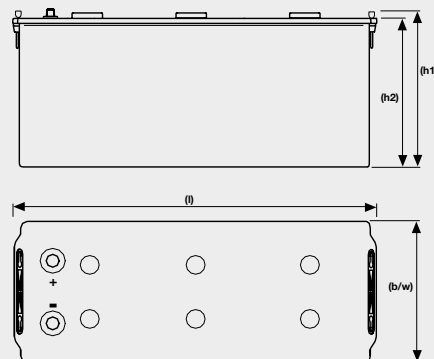
A512/115 A



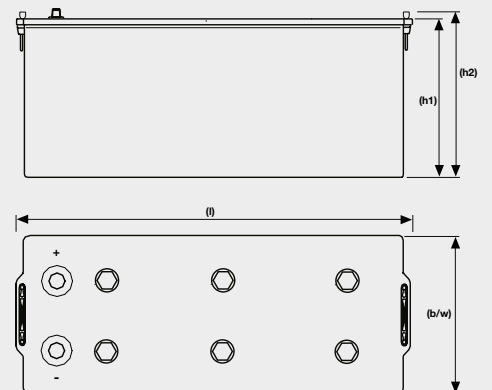
A512/120 A



A512/140 A



A512/200 A



Not to scale! · * Dimensions are also valid for other terminals.

Sonnenschein A500

Constant current discharge

1.85 Vpc – Discharge in A at 20 °C

Type	Part number	5 min	10 min	15 min	20 min	30 min	1 h	2 h	3 h	5 h	8 h	10 h
A502/10 S	NGA5020010HSOSA	30.0	22.0	18.0	15.0	11.2	6.40	3.90	2.80	1.80	1.18	0.96
A504/3.5 S	NGA50403D5HSOSA	9.50	6.70	5.50	4.50	3.40	2.10	1.40	0.95	0.60	0.39	0.32
A506/1.2 S	NGA50601D2HSOSA	3.52	2.44	1.92	1.58	1.20	0.75	0.49	0.34	0.21	0.13	0.10
A506/3.5 S	NGA50603D5HSOSA	9.50	6.70	5.50	4.50	3.40	2.10	1.40	0.95	0.60	0.39	0.32
A506/6.5 S	NGA50606D5HSOSA	17.0	12.0	10.0	8.10	6.10	3.60	2.10	1.50	1.10	0.73	0.61
A506/10 S	NGA5060010HSOSA	30.0	22.0	18.0	15.0	11.2	6.40	3.90	2.80	1.80	1.18	0.96
A508/3.5 S	NGA50803D5HSOSA	9.50	6.70	5.50	4.50	3.40	2.10	1.40	0.95	0.60	0.39	0.32
A512/1.2 S	NGA51201D2HSOSA	3.52	2.44	1.92	1.58	1.20	0.75	0.49	0.34	0.21	0.13	0.10
A512/2 S	NGA5120002HSOSA	5.40	3.70	3.20	2.60	2.00	1.50	0.82	0.56	0.34	0.22	0.18
A512/3.5 S	NGA51203D5HSOSA	9.50	6.70	5.50	4.50	3.40	2.10	1.40	0.95	0.60	0.39	0.32
A512/6.5 S	NGA51206D5HSOSA	17.0	12.0	10.0	8.10	6.10	3.60	2.10	1.50	1.10	0.73	0.61
A512/10 S	NGA5120010HSOSA	30.0	22.0	18.0	15.0	11.2	6.40	3.90	2.80	1.80	1.18	0.96
A512/16 G5	NGA5120016HSOBA	40.0	29.0	24.0	20.0	15.0	9.80	6.21	4.34	2.70	1.80	1.40
A512/25 G5	NGA5120025HSOBA	41.1	36.2	29.0	24.8	20.5	13.1	8.00	5.80	3.90	2.50	2.10
A512/30 G6	NGA5120030HSOBA	60.7	49.3	44.0	36.5	28.0	18.0	10.6	7.60	4.90	3.20	2.60
A512/40 A	NGA5120040HSOCA ¹	75.0	63.0	50.0	42.0	34.0	22.0	12.0	8.80	6.40	4.30	3.50
A512/55 A	NGA5120055HSOCA	99.2	83.1	70.1	59.1	46.4	32.7	18.9	13.6	9.00	6.00	4.90
A512/60 A	NGA5120060HSOCA ¹	122	100	82.4	69.2	54.2	33.8	21.5	15.3	9.90	6.60	5.40
A512/65 A	NGA5120065HSOCA ¹	95.8	83.1	73.9	65.8	56.4	35.8	23.0	16.6	11.0	7.40	6.10
A512/85 A	NGA5120085HSOCA	168	141	119	100	78.0	53.0	30.0	22.0	14.2	9.40	7.70
A512/115 A	NGA5120115HSOCA	210	179	152	128	100	60.0	36.0	26.0	18.0	12.0	10.1
A512/120 A	NGA5120120HSOCA	257	201	162	135	104	65.5	39.3	27.8	18.1	11.9	9.80
A512/140 A	NGA5120140HSOCA	275	220	178	151	118	75.1	45.7	32.5	21.3	14.0	11.5
A512/200 A	NGA5120200HSOCA	329	274	226	196	160	104	65.1	46.6	31.0	20.4	16.7

1.80 Vpc – Discharge in A at 20 °C

Type	Part number	5 min	10 min	15 min	20 min	30 min	1 h	2 h	3 h	5 h	8 h	10 h
A502/10 S	NGA5020010HSOSA	33.0	24.0	19.0	16.0	11.9	6.80	4.10	2.90	1.90	1.23	1.00
A504/3.5 S	NGA50403D5HSOSA	10.6	7.40	6.00	4.90	3.70	2.20	1.40	0.98	0.62	0.40	0.33
A506/1.2 S	NGA50601D2HSOSA	3.92	2.67	2.07	1.69	1.26	0.77	0.51	0.35	0.21	0.13	0.10
A506/3.5 S	NGA50603D5HSOSA	10.6	7.40	6.00	4.90	3.70	2.20	1.40	0.98	0.62	0.40	0.33
A506/6.5 S	NGA50606D5HSOSA	19.0	13.0	11.0	8.80	6.50	3.80	2.20	1.60	1.10	0.75	0.63
A506/10 S	NGA5060010HSOSA	33.0	24.0	19.0	16.0	11.9	6.80	4.10	2.90	1.90	1.23	1.00
A508/3.5 S	NGA50803D5HSOSA	10.6	7.40	6.00	4.90	3.70	2.20	1.40	0.98	0.62	0.40	0.33
A512/1.2 S	NGA51201D2HSOSA	3.92	2.67	2.07	1.69	1.26	0.77	0.51	0.35	0.21	0.13	0.10
A512/2 S	NGA5120002HSOSA	6.20	4.20	3.40	2.80	2.10	1.50	0.86	0.58	0.36	0.23	0.19
A512/3.5 S	NGA51203D5HSOSA	10.6	7.40	6.00	4.90	3.70	2.20	1.40	0.98	0.62	0.40	0.33
A512/6.5 S	NGA51206D5HSOSA	19.0	13.0	11.0	8.80	6.50	3.80	2.20	1.60	1.10	0.75	0.63
A512/10 S	NGA5120010HSOSA	33.0	24.0	19.0	16.0	11.9	6.80	4.10	2.90	1.90	1.23	1.00
A512/16 G5	NGA5120016HSOBA	47.0	33.0	27.0	22.0	16.0	10.2	6.43	4.40	2.80	1.80	1.50
A512/25 G5	NGA5120025HSOBA	46.1	38.8	32.1	27.0	21.3	13.8	8.30	6.00	4.00	2.60	2.20
A512/30 G6	NGA5120030HSOBA	75.5	54.8	47.2	39.9	30.0	19.1	11.2	7.90	5.10	3.30	2.70
A512/40 A	NGA5120040HSOCA ¹	86.0	69.0	57.0	47.0	36.0	23.0	13.0	9.20	6.70	4.40	3.60
A512/55 A	NGA5120055HSOCA	114	89.8	78.7	65.3	50.2	34.2	19.5	14.0	9.20	6.10	5.00
A512/60 A	NGA5120060HSOCA ¹	145	108	91.9	75.9	58.1	35.5	22.3	15.8	10.3	6.80	5.60
A512/65 A	NGA5120065HSOCA ¹	120	100	88.1	75.4	60.4	38.6	24.3	17.4	11.5	7.50	6.20
A512/85 A	NGA5120085HSOCA	193	154	135	112	85.0	56.0	32.0	23.0	14.7	9.80	8.00
A512/115 A	NGA5120115HSOCA	244	192	170	140	107	64.0	38.0	27.0	18.0	13.0	10.4
A512/120 A	NGA5120120HSOCA	293	221	178	147	112	69.5	40.9	28.9	18.6	12.3	10.2
A512/140 A	NGA5120140HSOCA	315	244	198	166	128	79.7	47.7	33.8	22.0	14.5	11.9
A512/200 A	NGA5120200HSOCA	381	313	258	222	176	110	68.1	48.5	32.0	21.1	17.3

¹ Discharge data are also valid for other terminals/containers.

Sonnenschein A500

Constant current discharge

1.75 Vpc – Discharge in A at 20 °C

Type	Part number	5 min	10 min	15 min	20 min	30 min	1 h	2 h	3 h	5 h	8 h	10 h
A502/10 S	NGA5020010HSOSA	35.0	26.0	20.0	17.0	12.3	6.90	4.20	3.00	1.90	1.25	1.02
A504/3.5 S	NGA50403D5HSOSA	11.3	7.90	6.20	5.10	3.80	2.30	1.40	0.99	0.62	0.41	0.34
A506/1.2 S	NGA50601D2HSOSA	4.12	2.82	2.15	1.74	1.30	0.78	0.51	0.35	0.22	0.13	0.10
A506/3.5 S	NGA50603D5HSOSA	11.3	7.90	6.20	5.10	3.80	2.30	1.40	0.99	0.62	0.41	0.34
A506/6.5 S	NGA50606D5HSOSA	20.0	14.0	11.0	9.20	6.80	3.90	2.30	1.60	1.10	0.76	0.63
A506/10 S	NGA5060010HSOSA	35.0	26.0	20.0	17.0	12.3	6.90	4.20	3.00	1.90	1.25	1.02
A508/3.5 S	NGA50803D5HSOSA	11.3	7.90	6.20	5.10	3.80	2.30	1.40	0.99	0.62	0.41	0.34
A512/1.2 S	NGA51201D2HSOSA	4.12	2.82	2.15	1.74	1.30	0.78	0.51	0.35	0.22	0.13	0.10
A512/2 S	NGA5120002HSOSA	6.80	4.60	3.50	2.90	2.20	1.50	0.87	0.59	0.36	0.24	0.19
A512/3.5 S	NGA51203D5HSOSA	11.3	7.90	6.20	5.10	3.80	2.30	1.40	0.99	0.62	0.41	0.34
A512/6.5 S	NGA51206D5HSOSA	20.0	14.0	11.0	9.20	6.80	3.90	2.30	1.60	1.10	0.76	0.63
A512/10 S	NGA5120010HSOSA	35.0	26.0	20.0	17.0	12.3	6.90	4.20	3.00	1.90	1.25	1.02
A512/16 G5	NGA5120016HSOBA	51.0	36.0	28.0	23.0	17.0	10.4	6.53	4.50	2.90	1.80	1.54
A512/25 G5	NGA5120025HSOBA	54.2	41.4	34.5	28.6	21.9	14.2	8.50	6.10	4.00	2.70	2.20
A512/30 G6	NGA5120030HSOBA	84.7	60.3	49.0	42.0	31.3	19.7	11.5	8.10	5.20	3.40	2.80
A512/40 A	NGA5120040HSOCA ¹	103	74.0	61.0	50.0	37.0	24.0	13.0	9.40	6.80	4.50	3.70
A512/55 A	NGA5120055HSOCA	139	99.0	84.3	69.5	52.5	35.0	19.9	14.2	9.30	6.20	5.10
A512/60 A	NGA5120060HSOCA ¹	168	118	98.3	80.4	60.5	36.4	22.7	16.1	10.4	6.90	5.60
A512/65 A	NGA5120065HSOCA ¹	140	111	95.7	81.9	63.8	40.0	24.9	17.8	11.7	7.60	6.30
A512/85 A	NGA5120085HSOCA	226	169	144	120	90.0	58.0	33.0	23.0	15.0	9.90	8.10
A512/115 A	NGA5120115HSOCA	282	204	179	148	112	66.0	39.0	28.0	19.0	13.0	10.5
A512/120 A	NGA5120120HSOCA	330	235	188	155	116	71.6	41.9	29.5	19.0	12.6	10.5
A512/140 A	NGA5120140HSOCA	357	264	211	176	133	82.3	48.9	34.5	22.3	14.8	12.2
A512/200 A	NGA5120200HSOCA	437	349	282	237	183	115	70.0	49.7	32.3	21.5	17.7

1.70 Vpc – Discharge in A at 20 °C

Type	Part number	5 min	10 min	15 min	20 min	30 min	1 h	2 h	3 h	5 h	8 h	10 h
A502/10 S	NGA5020010HSOSA	37.0	27.0	20.0	17.0	12.6	7.00	4.20	3.00	1.90	1.25	1.02
A504/3.5 S	NGA50403D5HSOSA	12.1	8.30	6.30	5.20	3.90	2.30	1.40	1.00	0.63	0.41	0.34
A506/1.2 S	NGA50601D2HSOSA	4.32	2.91	2.19	1.77	1.31	0.79	0.52	0.35	0.22	0.13	0.10
A506/3.5 S	NGA50603D5HSOSA	12.1	8.30	6.30	5.20	3.90	2.30	1.40	1.00	0.63	0.41	0.34
A506/6.5 S	NGA50606D5HSOSA	21.0	15.0	12.0	9.50	6.90	3.90	2.30	1.60	1.10	0.76	0.63
A506/10 S	NGA5060010HSOSA	37.0	27.0	20.0	17.0	12.6	7.00	4.20	3.00	1.90	1.25	1.02
A508/3.5 S	NGA50803D5HSOSA	12.1	8.30	6.30	5.20	3.90	2.30	1.40	1.00	0.63	0.41	0.34
A512/1.2 S	NGA51201D2HSOSA	4.32	2.91	2.19	1.77	1.31	0.79	0.52	0.35	0.22	0.13	0.10
A512/2 S	NGA5120002HSOSA	7.40	4.80	3.60	3.00	2.20	1.50	0.88	0.60	0.37	0.24	0.19
A512/3.5 S	NGA51203D5HSOSA	12.1	8.30	6.30	5.20	3.90	2.30	1.40	1.00	0.63	0.41	0.34
A512/6.5 S	NGA51206D5HSOSA	21.0	15.0	12.0	9.50	6.90	3.90	2.30	1.60	1.10	0.76	0.63
A512/10 S	NGA5120010HSOSA	37.0	27.0	20.0	17.0	12.6	7.00	4.20	3.00	1.90	1.25	1.02
A512/16 G5	NGA5120016HSOBA	54.0	39.0	30.0	24.0	17.0	10.5	6.57	4.60	2.92	1.80	1.54
A512/25 G5	NGA5120025HSOBA	61.7	43.3	36.1	29.6	22.4	14.4	8.60	6.20	4.10	2.70	2.20
A512/30 G6	NGA5120030HSOBA	92.0	64.3	50.1	43.3	32.0	20.0	11.6	8.20	5.30	3.40	2.80
A512/40 A	NGA5120040HSOCA ¹	115	79.0	64.0	52.0	38.0	24.0	13.0	9.50	6.80	4.50	3.70
A512/55 A	NGA5120055HSOCA	151	106	86.8	72.0	53.9	35.5	20.1	14.3	9.30	6.20	5.10
A512/60 A	NGA5120060HSOCA ¹	178	125	101	82.6	61.6	36.9	22.9	16.2	10.4	6.90	5.60
A512/65 A	NGA5120065HSOCA ¹	158	121	104	86.2	65.9	40.6	25.1	17.9	11.7	7.60	6.30
A512/85 A	NGA5120085HSOCA	244	182	149	125	93.0	59.0	33.0	23.0	15.1	9.90	8.10
A512/115 A	NGA5120115HSOCA	310	215	183	153	114	67.0	39.0	28.0	19.0	13.0	10.5
A512/120 A	NGA5120120HSOCA	367	249	196	161	119	73.1	42.7	29.9	19.2	12.8	10.5
A512/140 A	NGA5120140HSOCA	397	282	222	183	137	84.1	49.9	35.1	22.6	15.0	12.2
A512/200 A	NGA5120200HSOCA	486	380	300	251	191	117	71.4	50.6	32.8	21.8	17.7

¹ Discharge data are also valid for other terminals/containers.

Sonnenschein A500

Constant current discharge

1.65 Vpc – Discharge in A at 20 °C

Type	Part number	5 min	10 min	15 min	20 min	30 min	1 h	2 h	3 h	5 h	8 h	10 h
A502/10 S	NGA5020010HSOSA	39.0	28.0	21.0	17.0	12.7	7.10	4.30	3.00	1.90	1.25	1.02
A504/3.5 S	NGA50403D5HSOSA	12.7	8.50	6.50	5.30	3.90	2.30	1.40	1.01	0.63	0.41	0.34
A506/1.2 S	NGA50601D2HSOSA	4.52	2.96	2.22	1.79	1.32	0.80	0.52	0.36	0.22	0.13	0.10
A506/3.5 S	NGA50603D5HSOSA	12.7	8.50	6.50	5.30	3.90	2.30	1.40	1.01	0.63	0.41	0.34
A506/6.5 S	NGA50606D5HSOSA	23.0	15.0	12.0	9.60	7.00	4.00	2.30	1.60	1.10	0.76	0.63
A506/10 S	NGA5060010HSOSA	39.0	28.0	21.0	17.0	12.7	7.10	4.30	3.00	1.90	1.25	1.02
A508/3.5 S	NGA50803D5HSOSA	12.7	8.50	6.50	5.30	3.90	2.30	1.40	1.01	0.63	0.41	0.34
A512/1.2 S	NGA51201D2HSOSA	4.52	2.96	2.22	1.79	1.32	0.80	0.52	0.36	0.22	0.13	0.10
A512/2 S	NGA5120002HSOSA	7.80	4.90	3.70	3.00	2.20	1.50	0.88	0.60	0.37	0.24	0.19
A512/3.5 S	NGA51203D5HSOSA	12.7	8.50	6.50	5.30	3.90	2.30	1.40	1.01	0.63	0.41	0.34
A512/6.5 S	NGA51206D5HSOSA	23.0	15.0	12.0	9.60	7.00	4.00	2.30	1.60	1.10	0.76	0.63
A512/10 S	NGA5120010HSOSA	39.0	28.0	21.0	17.0	12.7	7.10	4.30	3.00	1.90	1.25	1.02
A512/16 G5	NGA5120016HSOBA	58.0	41.0	30.0	24.0	18.0	10.6	6.61	4.60	2.92	1.80	1.54
A512/25 G5	NGA5120025HSOBA	67.5	45.4	37.1	30.2	22.7	14.4	8.60	6.20	4.10	2.70	2.20
A512/30 G6	NGA5120030HSOBA	98.9	67.0	51.1	44.0	32.4	20.1	11.7	8.20	5.30	3.40	2.80
A512/40 A	NGA5120040HSOCA ¹	121	82.0	66.0	53.0	39.0	24.0	13.0	9.50	6.80	4.50	3.70
A512/55 A	NGA5120055HSOCA	161	112	88.4	73.6	54.7	35.7	20.2	14.4	9.30	6.20	5.10
A512/60 A	NGA5120060HSOCA ¹	185	130	102	83.2	61.7	37.1	23.0	16.2	10.4	6.90	5.60
A512/65 A	NGA5120065HSOCA ¹	178	129	108	88.8	67.0	40.9	25.2	17.9	11.7	7.60	6.30
A512/85 A	NGA5120085HSOCA	259	192	152	128	94.0	59.0	33.0	24.0	15.1	9.90	8.10
A512/115 A	NGA5120115HSOCA	332	222	186	156	116	67.0	39.0	28.0	19.0	13.0	10.5
A512/120 A	NGA5120120HSOCA	387	260	201	165	122	74.0	43.1	30.1	19.2	12.8	10.5
A512/140 A	NGA5120140HSOCA	423	294	229	189	141	85.4	50.3	35.4	22.6	15.0	12.2
A512/200 A	NGA5120200HSOCA	531	395	313	262	198	120	72.1	51.0	32.8	21.8	17.7

1.60 Vpc – Discharge in A at 20 °C

Type	Part number	5 min	10 min	15 min	20 min	30 min	1 h	2 h	3 h	5 h	8 h	10 h
A502/10 S	NGA5020010HSOSA	42.0	29.0	21.0	17.0	12.8	7.10	4.30	3.00	1.90	1.25	1.02
A504/3.5 S	NGA50403D5HSOSA	13.1	8.70	6.50	5.30	3.90	2.30	1.40	1.01	0.63	0.41	0.34
A506/1.2 S	NGA50601D2HSOSA	4.66	3.00	2.24	1.80	1.33	0.80	0.52	0.36	0.22	0.13	0.10
A506/3.5 S	NGA50603D5HSOSA	13.1	8.70	6.50	5.30	3.90	2.30	1.40	1.01	0.63	0.41	0.34
A506/6.5 S	NGA50606D5HSOSA	24.0	16.0	12.0	9.70	7.00	4.00	2.30	1.60	1.10	0.76	0.63
A506/10 S	NGA5060010HSOSA	42.0	29.0	21.0	17.0	12.8	7.10	4.30	3.00	1.90	1.25	1.02
A508/3.5 S	NGA50803D5HSOSA	13.1	8.70	6.50	5.30	3.90	2.30	1.40	1.01	0.63	0.41	0.34
A512/1.2 S	NGA51201D2HSOSA	4.66	3.00	2.24	1.80	1.33	0.80	0.52	0.36	0.22	0.13	0.10
A512/2 S	NGA5120002HSOSA	8.20	5.00	3.70	3.10	2.20	1.50	0.89	0.60	0.37	0.24	0.19
A512/3.5 S	NGA51203D5HSOSA	13.1	8.70	6.50	5.30	3.90	2.30	1.40	1.01	0.63	0.41	0.34
A512/6.5 S	NGA51206D5HSOSA	24.0	16.0	12.0	9.70	7.00	4.00	2.30	1.60	1.10	0.76	0.63
A512/10 S	NGA5120010HSOSA	42.0	29.0	21.0	17.0	12.8	7.10	4.30	3.00	1.90	1.25	1.02
A512/16 G5	NGA5120016HSOBA	61.0	42.0	31.0	25.0	18.0	10.7	6.62	4.61	2.92	1.80	1.54
A512/25 G5	NGA5120025HSOBA	71.8	46.9	37.7	30.7	22.9	14.5	8.60	6.20	4.10	2.70	2.20
A512/30 G6	NGA5120030HSOBA	105	68.7	51.8	44.4	32.6	20.1	11.7	8.20	5.30	3.40	2.80
A512/40 A	NGA5120040HSOCA ¹	127	85.0	67.0	54.0	39.0	24.0	13.0	9.50	6.80	4.50	3.70
A512/55 A	NGA5120055HSOCA	169	116	89.3	74.6	55.2	35.8	20.2	14.4	9.30	6.20	5.10
A512/60 A	NGA5120060HSOCA ¹	191	133	103	83.5	61.8	37.2	23.0	16.2	10.4	6.90	5.60
A512/65 A	NGA5120065HSOCA ¹	193	135	110	90.3	67.7	41.1	25.2	18.0	11.7	7.60	6.30
A512/85 A	NGA5120085HSOCA	273	199	155	130	95.0	60.0	33.0	24.0	15.1	9.90	8.10
A512/115 A	NGA5120115HSOCA	343	227	187	158	117	68.0	40.0	28.0	19.0	13.0	10.5
A512/120 A	NGA5120120HSOCA	409	267	205	168	124	74.7	43.3	30.2	19.2	12.8	10.5
A512/140 A	NGA5120140HSOCA	452	303	235	193	143	86.3	50.6	35.4	22.6	15.0	12.2
A512/200 A	NGA5120200HSOCA	581	411	323	269	202	121	72.4	51.1	32.8	21.8	17.7

¹ Discharge data are also valid for other terminals/containers.

Sonnenschein A500

Constant power discharge

1.85 Vpc – Discharge in W/block at 20 °C

Type	Part number	3 min	5 min	10 min	15 min	20 min	30 min	45 min	1 h	1.5 h
A502/10 S	NGA5020010HSOSA	56.0	50.0	41.0	33.0	27.0	20.0	16.0	13.0	9.00
A504/3.5 S	NGA50403D5HSOSA	41.0	34.0	26.0	21.0	17.0	13.0	11.0	9.00	6.00
A506/1.2 S	NGA50601D2HSOSA	21.4	17.2	12.2	10.3	8.60	6.60	4.90	4.00	3.00
A506/3.5 S	NGA50603D5HSOSA	62.0	51.0	38.0	32.0	26.0	20.0	16.0	13.0	9.00
A506/6.5 S	NGA50606D5HSOSA	120	100	73.0	60.0	51.0	38.0	28.0	23.0	16.0
A506/10 S	NGA5060010HSOSA	167	149	124	98.0	80.0	60.0	49.0	39.0	28.0
A508/3.5 S	NGA50803D5HSOSA	83.0	68.0	51.0	42.0	35.0	27.0	22.0	17.0	12.0
A512/1.2 S	NGA51201D2HSOSA	42.7	34.4	24.3	20.7	17.2	13.2	9.80	8.00	5.90
A512/2 S	NGA5120002HSOSA	74.0	60.0	44.0	36.0	30.0	23.0	17.0	14.0	10.0
A512/3.5 S	NGA51203D5HSOSA	124	102	77.0	63.0	52.0	40.0	33.0	26.0	18.0
A512/6.5 S	NGA51206D5HSOSA	240	200	146	120	102	76.0	56.0	46.0	32.0
A512/10 S	NGA5120010HSOSA	335	298	248	195	160	120	98.0	78.0	56.0
A512/16 G5	NGA5120016HSOBA	485	433	352	295	252	192	150	119	87.0
A512/25 G5	NGA5120025HSOBA	535	463	387	324	278	225	170	140	105
A512/30 G6	NGA5120030HSOBA	857	751	568	479	400	310	251	200	144
A512/40 A	NGA5120040HSOCA ¹	958	848	703	578	490	395	300	243	178
A512/55 A	NGA5120055HSOCA	1348	1172	922	844	718	572	457	367	269
A512/60 A	NGA5120060HSOCA ¹	1618	1414	1096	963	807	625	459	369	271
A512/65 A	NGA5120065HSOCA ¹	1180	1113	991	861	763	659	500	411	307
A512/85 A	NGA5120085HSOCA	1979	1802	1527	1310	1118	905	690	565	425
A512/115 A	NGA5120115HSOCA	2808	2531	2009	1705	1439	1155	872	702	512
A512/120 A	NGA5120120HSOCA	3350	2862	2300	1895	1583	1200	938	757	583
A512/140 A	NGA5120140HSOCA	3674	3172	2549	2101	1755	1330	1040	839	647
A512/200 A	NGA5120200HSOCA	4690	4102	3449	2843	2375	1800	1408	1135	875

1.80 Vpc – Discharge in W/block at 20 °C

Type	Part number	3 min	5 min	10 min	15 min	20 min	30 min	45 min	1 h	1.5 h
A502/10 S	NGA5020010HSOSA	56.0	53.0	44.0	35.0	29.0	21.0	17.0	14.0	10.0
A504/3.5 S	NGA50403D5HSOSA	45.0	38.0	28.0	22.0	19.0	14.0	11.0	9.00	6.00
A506/1.2 S	NGA50601D2HSOSA	23.5	19.1	13.3	10.9	9.10	6.90	5.10	4.10	3.00
A506/3.5 S	NGA50603D5HSOSA	68.0	57.0	42.0	33.0	28.0	21.0	17.0	13.0	10.0
A506/6.5 S	NGA50606D5HSOSA	128	112	80.0	63.0	54.0	40.0	30.0	24.0	17.0
A506/10 S	NGA5060010HSOSA	168	159	131	104	86.0	64.0	51.0	41.0	29.0
A508/3.5 S	NGA50803D5HSOSA	91.0	76.0	56.0	44.0	37.0	28.0	23.0	18.0	13.0
A512/1.2 S	NGA51201D2HSOSA	47.0	38.3	26.5	21.7	18.1	13.7	10.2	8.20	6.00
A512/2 S	NGA5120002HSOSA	83.0	68.0	49.0	38.0	32.0	24.0	18.0	15.0	11.0
A512/3.5 S	NGA51203D5HSOSA	136	114	84.0	66.0	56.0	42.0	34.0	27.0	19.0
A512/6.5 S	NGA51206D5HSOSA	256	224	160	126	108	80.0	60.0	48.0	34.0
A512/10 S	NGA5120010HSOSA	336	318	261	209	172	128	101	81.0	59.0
A512/16 G5	NGA5120016HSOBA	584	485	384	309	269	203	156	124	90.0
A512/25 G5	NGA5120025HSOBA	623	555	418	360	303	240	180	146	109
A512/30 G6	NGA5120030HSOBA	1036	850	637	517	433	330	264	210	151
A512/40 A	NGA5120040HSOCA ¹	1092	1007	758	646	538	415	318	255	186
A512/55 A	NGA5120055HSOCA	1555	1362	1014	888	777	606	478	382	278
A512/60 A	NGA5120060HSOCA ¹	1955	1634	1181	1041	873	669	489	390	283
A512/65 A	NGA5120065HSOCA ¹	1459	1316	1109	989	851	693	544	441	327
A512/85 A	NGA5120085HSOCA	2279	2132	1684	1487	1245	970	740	600	447
A512/115 A	NGA5120115HSOCA	3189	2873	2190	1888	1569	1209	926	739	535
A512/120 A	NGA5120120HSOCA	3763	3276	2543	2027	1720	1285	966	794	608
A512/140 A	NGA5120140HSOCA	4127	3631	2819	2246	1906	1424	1070	880	674
A512/200 A	NGA5120200HSOCA	5268	4695	3815	3040	2580	1928	1449	1191	912

¹ Discharge data are also valid for other terminals/containers.

Sonnenschein A500

Constant power discharge

1.75 Vpc – Discharge in W/block at 20 °C

Type	Part number	3 min	5 min	10 min	15 min	20 min	30 min	45 min	1 h	1.5 h
A502/10 S	NGA5020010HSOSA	60.0	58.0	45.0	36.0	30.0	22.0	17.0	14.0	10.0
A504/3.5 S	NGA50403D5HSOSA	49.0	41.0	30.0	23.0	20.0	15.0	12.0	9.00	6.00
A506/1.2 S	NGA50601D2HSOSA	25.1	20.7	14.0	11.1	9.30	7.00	5.20	4.20	3.00
A506/3.5 S	NGA50603D5HSOSA	73.0	62.0	45.0	35.0	29.0	22.0	18.0	14.0	10.0
A506/6.5 S	NGA50606D5HSOSA	138	121	86.0	66.0	57.0	42.0	30.0	24.0	17.0
A506/10 S	NGA5060010HSOSA	181	173	135	109	90.0	66.0	51.0	42.0	30.0
A508/3.5 S	NGA50803D5HSOSA	97.0	82.0	60.0	46.0	39.0	29.0	23.0	18.0	13.0
A512/1.2 S	NGA51201D2HSOSA	50.1	41.4	28.0	22.2	18.6	14.0	10.3	8.30	6.10
A512/2 S	NGA5120002HSOSA	91.0	75.0	52.0	40.0	33.0	25.0	18.0	15.0	11.0
A512/3.5 S	NGA51203D5HSOSA	146	123	89.0	69.0	59.0	44.0	35.0	27.0	19.0
A512/6.5 S	NGA51206D5HSOSA	276	242	172	132	114	84.0	60.0	48.0	34.0
A512/10 S	NGA5120010HSOSA	361	346	270	219	179	132	103	83.0	60.0
A512/16 G5	NGA5120016HSOBA	636	534	407	322	280	209	159	126	91.0
A512/25 G5	NGA5120025HSOBA	689	616	454	385	320	248	185	150	111
A512/30 G6	NGA5120030HSOBA	1118	951	690	538	453	341	271	214	153
A512/40 A	NGA5120040HSOCA ¹	1226	1074	822	691	569	432	326	261	189
A512/55 A	NGA5120055HSOCA	1799	1496	1102	917	813	626	489	388	281
A512/60 A	NGA5120060HSOCA ¹	2267	1837	1274	1071	915	693	505	400	288
A512/65 A	NGA5120065HSOCA ¹	1757	1591	1223	1083	914	721	567	457	336
A512/85 A	NGA5120085HSOCA	2561	2292	1847	1557	1329	1018	768	621	460
A512/115 A	NGA5120115HSOCA	3642	3101	2374	1986	1653	1255	956	759	547
A512/120 A	NGA5120120HSOCA	4237	3552	2627	2134	1800	1334	989	815	622
A512/140 A	NGA5120140HSOCA	4647	3937	2912	2365	1995	1479	1096	904	689
A512/200 A	NGA5120200HSOCA	5932	5092	3941	3201	2700	2002	1484	1223	933

1.70 Vpc – Discharge in W/block at 20 °C

Type	Part number	3 min	5 min	10 min	15 min	20 min	30 min	45 min	1 h	1.5 h
A502/10 S	NGA5020010HSOSA	64.0	60.0	46.0	38.0	31.0	22.0	17.0	14.0	10.0
A504/3.5 S	NGA50403D5HSOSA	53.0	44.0	31.0	24.0	20.0	15.0	12.0	9.00	7.00
A506/1.2 S	NGA50601D2HSOSA	26.8	21.9	14.4	11.2	9.40	7.10	5.20	4.20	3.10
A506/3.5 S	NGA50603D5HSOSA	80.0	66.0	46.0	36.0	30.0	22.0	18.0	14.0	10.0
A506/6.5 S	NGA50606D5HSOSA	150	126	88.0	68.0	58.0	42.0	31.0	24.0	17.0
A506/10 S	NGA5060010HSOSA	193	180	139	113	92.0	67.0	52.0	42.0	30.0
A508/3.5 S	NGA50803D5HSOSA	106	88.0	61.0	48.0	40.0	30.0	24.0	19.0	13.0
A512/1.2 S	NGA51201D2HSOSA	53.7	43.7	28.8	22.4	18.8	14.1	10.4	8.40	6.10
A512/2 S	NGA5120002HSOSA	99.0	80.0	53.0	41.0	34.0	25.0	19.0	15.0	11.0
A512/3.5 S	NGA51203D5HSOSA	159	131	92.0	72.0	60.0	45.0	35.0	28.0	20.0
A512/6.5 S	NGA51206D5HSOSA	300	252	176	136	116	84.0	62.0	48.0	34.0
A512/10 S	NGA5120010HSOSA	385	360	278	226	185	135	103	84.0	60.0
A512/16 G5	NGA5120016HSOBA	688	573	418	331	285	212	161	127	91.0
A512/25 G5	NGA5120025HSOBA	776	652	482	395	330	253	187	151	112
A512/30 G6	NGA5120030HSOBA	1214	1037	726	558	465	347	274	216	155
A512/40 A	NGA5120040HSOCA ¹	1391	1157	870	719	587	441	331	264	191
A512/55 A	NGA5120055HSOCA	1912	1624	1163	935	834	636	493	392	283
A512/60 A	NGA5120060HSOCA ¹	2406	2022	1348	1088	940	707	514	405	290
A512/65 A	NGA5120065HSOCA ¹	1959	1739	1322	1142	954	739	577	464	340
A512/85 A	NGA5120085HSOCA	2900	2486	1993	1607	1381	1045	786	634	469
A512/115 A	NGA5120115HSOCA	4106	3361	2511	2030	1703	1281	971	770	553
A512/120 A	NGA5120120HSOCA	4536	3800	2690	2201	1849	1365	1008	830	632
A512/140 A	NGA5120140HSOCA	4974	4211	2981	2440	2050	1513	1117	920	700
A512/200 A	NGA5120200HSOCA	6350	5446	4034	3302	2774	2048	1512	1245	948

¹ Discharge data are also valid for other terminals/containers.

Sonnenschein A500

Constant power discharge

1.65 Vpc – Discharge in W/block at 20 °C

Type	Part number	3 min	5 min	10 min	15 min	20 min	30 min	45 min	1 h	1.5 h
A502/10 S	NGA5020010HSOSA	68.0	62.0	47.0	38.0	31.0	23.0	17.0	14.0	10.0
A504/3.5 S	NGA50403D5HSOSA	57.0	46.0	31.0	24.0	20.0	15.0	12.0	9.00	7.00
A506/1.2 S	NGA50601D2HSOSA	28.2	22.6	14.7	11.2	9.50	7.10	5.20	4.20	3.10
A506/3.5 S	NGA50603D5HSOSA	85.0	68.0	47.0	36.0	30.0	23.0	18.0	14.0	10.0
A506/6.5 S	NGA50606D5HSOSA	160	129	90.0	69.0	59.0	43.0	31.0	25.0	18.0
A506/10 S	NGA5060010HSOSA	205	186	142	114	93.0	68.0	52.0	42.0	30.0
A508/3.5 S	NGA50803D5HSOSA	113	91.0	62.0	49.0	41.0	30.0	24.0	19.0	13.0
A512/1.2 S	NGA51201D2HSOCA	56.4	45.3	29.4	22.5	18.9	14.2	10.5	8.40	6.10
A512/2 S	NGA5120002HSOSA	103	82.0	54.0	41.0	34.0	25.0	19.0	15.0	11.0
A512/3.5 S	NGA51203D5HSOSA	170	137	93.0	73.0	61.0	45.0	35.0	28.0	20.0
A512/6.5 S	NGA51206D5HSOSA	320	258	180	138	118	86.0	62.0	50.0	36.0
A512/10 S	NGA5120010HSOSA	410	371	283	229	187	136	104	84.0	61.0
A512/16 G5	NGA5120016HSOBA	741	601	423	335	288	213	161	128	92.0
A512/25 G5	NGA5120025HSOBA	854	693	501	400	335	255	188	152	112
A512/30 G6	NGA5120030HSOBA	1310	1095	746	569	471	351	276	217	155
A512/40 A	NGA5120040HSOCA ¹	1514	1235	902	729	597	446	333	265	192
A512/55 A	NGA5120055HSOCA	2005	1726	1204	945	845	642	496	394	284
A512/60 A	NGA5120060HSOCA ¹	2548	2176	1404	1098	954	715	519	409	292
A512/65 A	NGA5120065HSOCA ¹	2139	1853	1395	1171	976	749	582	466	341
A512/85 A	NGA5120085HSOCA	3115	2719	2109	1663	1410	1060	797	642	474
A512/115 A	NGA5120115HSOCA	4304	3582	2603	2057	1732	1296	980	776	557
A512/120 A	NGA5120120HSOCA	4847	4002	2761	2246	1883	1387	1022	843	640
A512/140 A	NGA5120140HSOCA	5316	4435	3060	2489	2087	1538	1133	934	709
A512/200 A	NGA5120200HSOCA	6786	5736	4142	3369	2825	2081	1533	1264	959

1.60 Vpc – Discharge in W/block at 20 °C

Type	Part number	3 min	5 min	10 min	15 min	20 min	30 min	45 min	1 h	1.5 h
A502/10 S	NGA5020010HSOSA	73.0	63.0	48.0	38.0	31.0	23.0	17.0	14.0	10.0
A504/3.5 S	NGA50403D5HSOSA	59.0	46.0	32.0	25.0	20.0	15.0	12.0	9.00	7.00
A506/1.2 S	NGA50601D2HSOSA	29.2	23.1	14.8	11.3	9.50	7.10	5.20	4.20	3.10
A506/3.5 S	NGA50603D5HSOSA	89.0	69.0	47.0	37.0	31.0	23.0	18.0	14.0	10.0
A506/6.5 S	NGA50606D5HSOSA	168	132	92.0	70.0	59.0	43.0	31.0	25.0	18.0
A506/10 S	NGA5060010HSOSA	218	190	144	115	94.0	68.0	52.0	42.0	30.0
A508/3.5 S	NGA50803D5HSOSA	119	93.0	63.0	49.0	41.0	30.0	24.0	19.0	13.0
A512/1.2 S	NGA51201D2HSOSA	58.4	46.2	29.7	22.5	19.0	14.2	10.5	8.40	6.20
A512/2 S	NGA5120002HSOSA	106	84.0	55.0	42.0	34.0	25.0	19.0	15.0	11.0
A512/3.5 S	NGA51203D5HSOSA	178	139	95.0	74.0	61.0	45.0	36.0	28.0	20.0
A512/6.5 S	NGA51206D5HSOSA	336	264	184	140	118	86.0	62.0	50.0	36.0
A512/10 S	NGA5120010HSOSA	437	381	287	231	188	136	104	85.0	61.0
A512/16 G5	NGA5120016HSOBA	783	621	426	338	289	214	162	128	92.0
A512/25 G5	NGA5120025HSOBA	908	725	514	403	339	256	189	153	113
A512/30 G6	NGA5120030HSOBA	1393	1121	755	576	474	352	276	218	156
A512/40 A	NGA5120040HSOCA ¹	1577	1299	923	735	603	449	334	266	192
A512/55 A	NGA5120055HSOCA	2107	1800	1231	957	851	645	498	395	285
A512/60 A	NGA5120060HSOCA ¹	2680	2279	1439	1104	963	719	522	410	293
A512/65 A	NGA5120065HSOCA ¹	2315	1976	1443	1183	987	754	584	468	342
A512/85 A	NGA5120085HSOCA	3264	2923	2190	1700	1427	1069	804	648	477
A512/115 A	NGA5120115HSOCA	4467	3755	2665	2073	1750	1306	985	780	560
A512/120 A	NGA5120120HSOCA	5135	4156	2812	2276	1906	1403	1032	852	646
A512/140 A	NGA5120140HSOCA	5631	4606	3117	2522	2113	1555	1144	945	716
A512/200 A	NGA5120200HSOCA	7189	5957	4218	3413	2860	2104	1548	1279	969

¹ Discharge data are also valid for other terminals/containers.

Battery Service – Energy Solutions

Keeping your business on the move

GNB® is the Expert

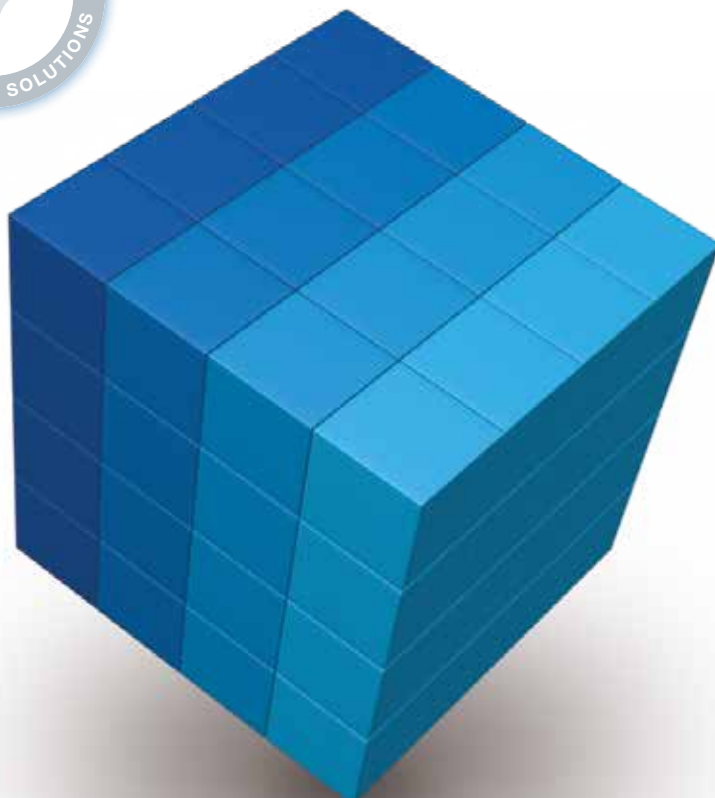
Who could do this job better than the professionals of a company with more than 100 years of experience in battery development, production and application?

Leave the responsibility for the maintenance of your batteries and chargers to the professionals: a GNB service contract provides you with exceptional economic advantages through time savings, cost savings and safety!



Installation of Batteries and Systems for Network Power

- > Development of complete turnkey solutions from the design concept to installation and commissioning.
- > Installation according to legal and safety regulations including CE certification by approved installation technicians.
- > Training and certification of external installation technicians according to CE regulations.



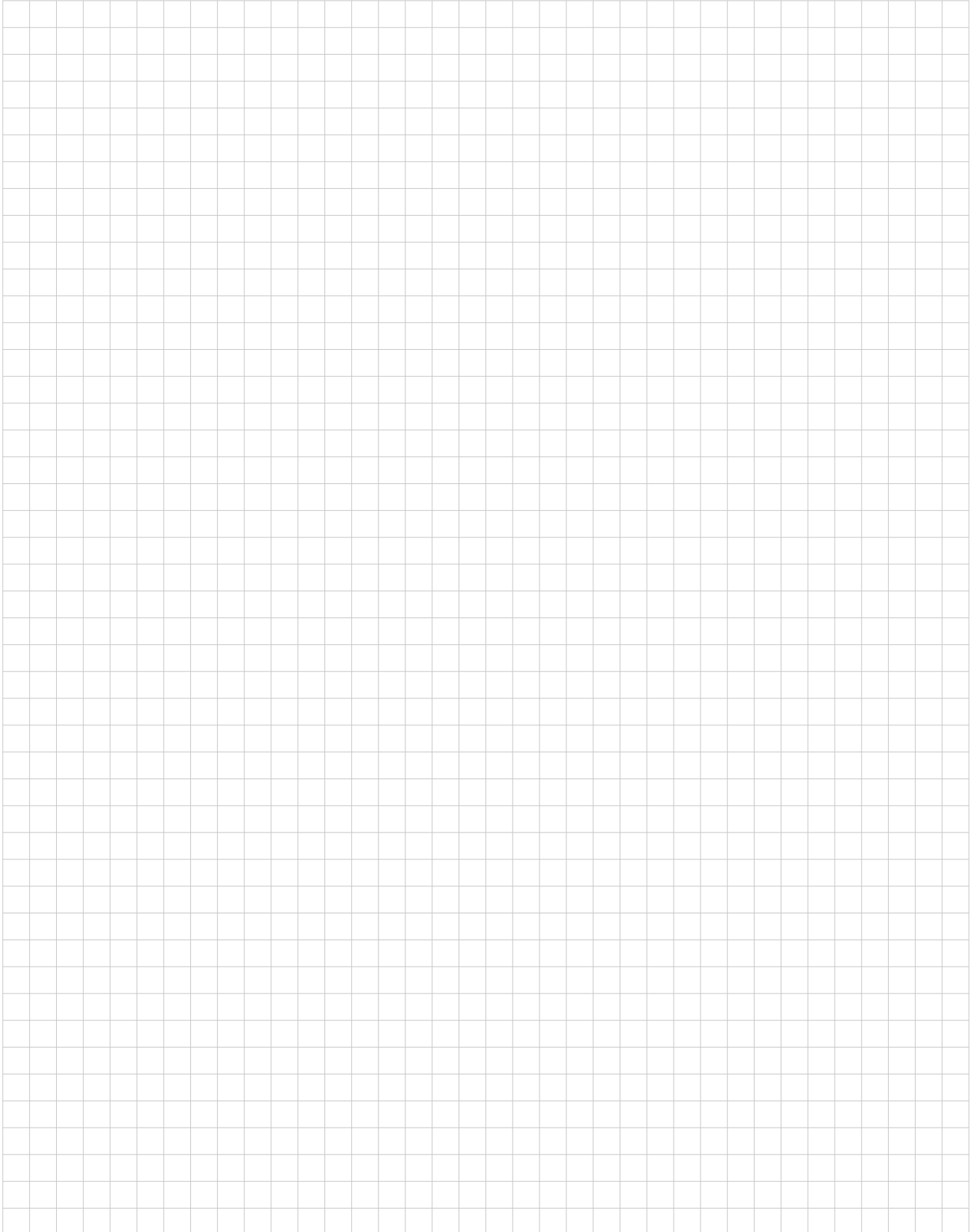
- ✦ Inspection Contract
- ✦ Maintenance Contract
- ✦ Lifetime Warranty Contract
- ✦ Full Service Contract



»GNB Service – individualized, professional and all over Europe!«

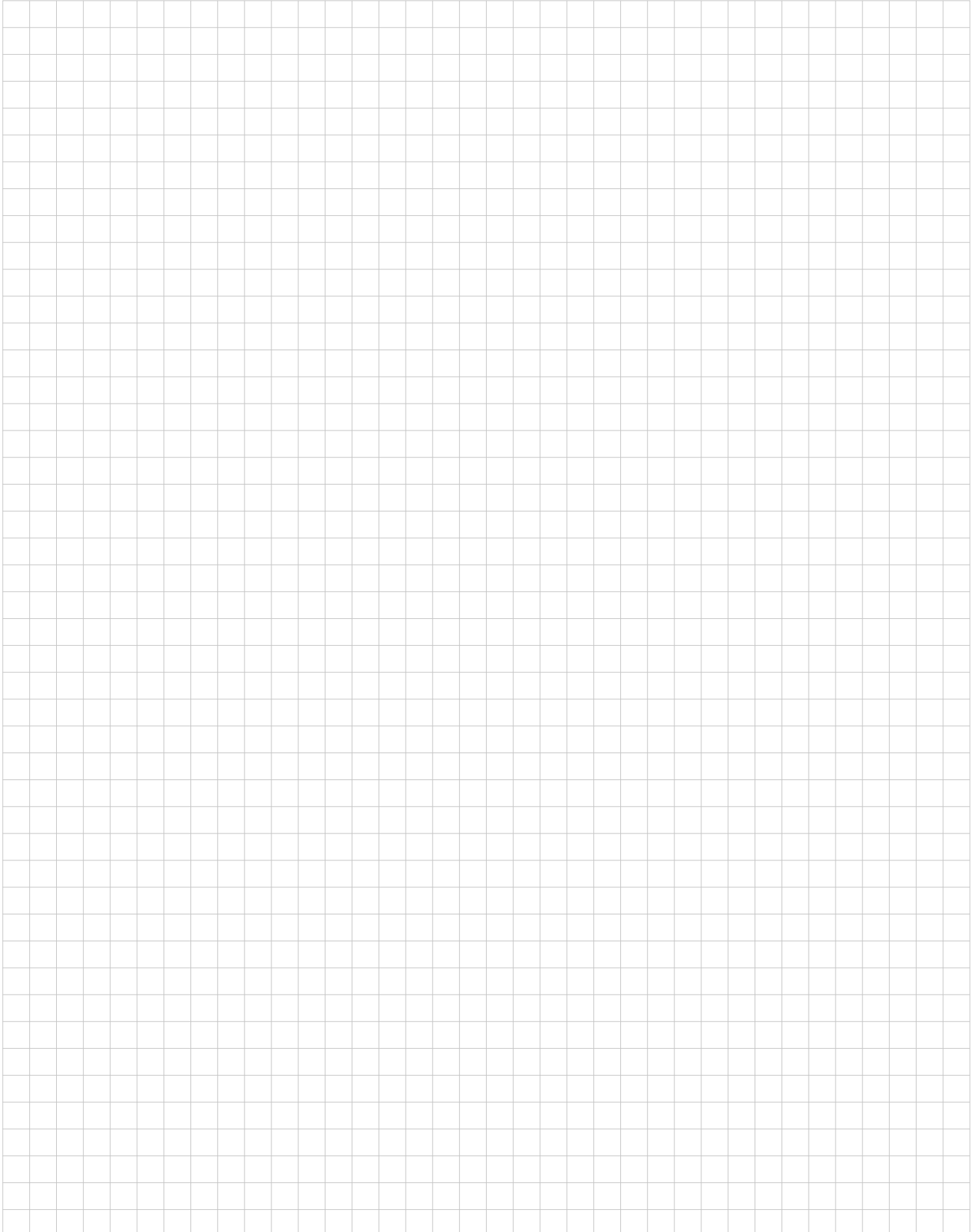
Sonnenschein A500

Notes

A large, empty grid of small squares, intended for taking notes. The grid consists of approximately 30 columns and 50 rows of squares.

Sonnenschein A500

Notes

A large, empty grid of graph paper, consisting of 30 columns and 45 rows of small squares, intended for taking notes.



Exide Technologies, with operations in more than 80 countries, is one of the world's largest producers and recyclers of lead-acid batteries. Exide Technologies provides a comprehensive and customized range of stored electrical energy solutions. Based on over 120 years of experience in the development of innovative technologies, Exide Technologies is an esteemed partner of OEMs and serves the spare parts market for industrial and automotive applications.

GNB Industrial Power – A division of Exide Technologies – offers an extensive range of storage products and services, including solutions for telecommunication systems, railway applications, mining, photovoltaic (solar energy), uninterrupted power supply (UPS), electrical power generation and distribution, fork lifts and electric vehicles.

Exide Technologies takes pride in its commitment to a better environment. An integrated approach to manufacturing, distributing and recycling of lead-acid batteries has been developed to ensure a safe and responsible life cycle for all of its products.

GNB® INDUSTRIAL POWER devises enduring energy concepts that convince with efficiency, flexibility and profitability.