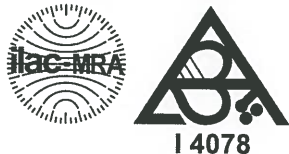




INSTITUT GUMÁRENSKÉ TECHNOLOGIE A TESTOVÁNÍ, A.S.
RUBBER TECHNOLOGY AND TESTING INSTITUTE, Plc.
INSTITUT FÜR GUMMITECHNOLOGIE UND PRÜFWESEN, A.G.
A.O. «ИНСТИТУТ ТЕХНОЛОГИИ РЕЗИНЫ И ИСПЫТАНИЙ»

Společnost je zapsána v obchodním rejstříku vedeném Krajským soudem v Brně, oddíl B, vložka 818



Zlín 19th May 2025

E8*54R00/27*3485*00

PETLAS TIRE INDUSTRY
AND TRADE COMPANY
Kindam Mah.
Ankara-Kayseri Cad. No.2/1
40200 Kirsehir, TURKEY

Communication concerning the approval and notification of approval number and inspection report issued by Inspection body IGTT

Tyre type fully complies requirements of ECE/UN R54.

Enclosed you will find the Communication concerning the approval of your tyres according to ECE/UN Regulation No. 54

On the base of this approval you are entitled to produce in your factory tyres of the dimension:

205/65R15C STARMAXX PROWIN ST960 102/100T

with the approval number : **E8 003485**
date of inspection : **19th May 2025**
inspector's name : **Václav Hořelka**

Sincerely yours,


IGTT a.s. 
Tyre Approval Department
Šternberská 446, Louky
763 02 Zlín, Czech Republic
IČ/D: 46900080 DIČ/VAT: CZ46900080 

Václav Hořelka
Head Of Tyre Approval Department
Head Of Inspection Body IGTT

Page 1 / 1

Ministerstvo dopravy České republiky
Ministry of Transport of the Czech Republic
Nábřeží L. Svobody 12, 110 15 Praha 1, Czech Republic

OSVĚDČENÍ o ⁽¹⁾:

COMMUNICATION concerning ⁽¹⁾:



UDĚLENÍ HOMOLOGACE

ROZŠÍŘENÍ HOMOLOGACE
ZAMÍTNUTÍ HOMOLOGACE
ODEBRÁNÍ HOMOLOGACE
DEFINITIVNÍM UKONČENÍ VÝROBY

APPROVAL GRANTED

APPROVAL EXTENDED
APPROVAL REFUSED
APPROVAL WITHDRAWN
PRODUCTION DEFINITELY DISCONTINUED

typu pneumatiky pro motorová vozidla podle Předpisu č. 54
of a type of pneumatic tyre for motor vehicles pursuant to UN Regulation No. 54

Homologace č.:

Approval No.: **E8*54R00/27*3485*00**

Rozšíření č.:

Extension No.: **N/A**

- | | | | |
|--------|--|---|---|
| 1. | Jméno a adresa výrobce
Manufacturer's name and address | : | PETLAS TIRE INDUSTRY
AND TRADE COMPANY
Kindam Mah.
Ankara-Kayseri Cad. No.2/1
40200 Kirsehir, TURKEY |
| 2. | Označení typu pneumatiky ⁽²⁾
Tyre type designation ⁽²⁾ | : | |
| 2.1. | Značka(y) / Obchodní značka(y)
Brand name(s) / Trademark(s) | : | STARMAXX |
| 2.2. | Obchodní popis(y) / Obchodní jméno(a)
Trade description(s) / Commercial name(s) | : | PROWIN ST960 |
| 3. | Název a adresa zástupce výrobce
(je-li potřebné)
If applicable, name and address of
manufacturer's representative | : | N/A |
| 4. | Souhrnný popis
Summarized description | : | |
| 4.1. | Označení rozměru pláště
Tyre size designation | : | 205/65R15C |
| 4.2. | Kategorie užití
Category of use | : | normální / zimní / speciální ⁽¹⁾
normal / snow / special ⁽¹⁾ |
| 4.3. | Konstrukce
Structure | : | diagonální / radiální ⁽¹⁾
diagonal / radial ⁽¹⁾ |
| 4.4. | Třída pneumatiky
Tyre class | : | C2 / C3 ⁽¹⁾ |
| 4.5. | Kategorie rychlosti
Speed category symbol | : | |
| 4.5.1. | Nominální
Nominal | : | T |
| 4.5.2. | Doplňková (je-li potřebné)
Additional (if applicable) | : | N/A |

- 4.6.** Indexy nosnosti
Load capacity index
- 4.6.1.** Odpovídající nominální rychlosti : v jednomontáži **102** ve dvojmontáži **100**
Corresponding to nominal speed : single twinned (dual)
- 4.6.2.** Odpovídající doplňkové rychlosti : v jednomontáži **N/A** ve dvojmontáži **N/A**
Corresponding to additional speed : single twinned (dual)
- 5.** Technická zkušebna a případně zkušební laboratoř schválená pro účely schvalování nebo pro ověřování shodnosti : **8/E:**
Technical service and where applicable, test laboratory additional approved purposes of approval or of verification of conformity : **IGTT a.s.**
Šternberská 446, Louky,
763 02 Zlín,
CZECH REPUBLIC
- 6.** Datum protokolu, vydaného touto zkušebnou :
Date of report issued by that service : **14.04.2025**
- 7.** Číslo protokolu, vydaného touto zkušebnou :
Number of report issued by that service : **D025-790**
- 8.** Důvod pro rozšíření (je-li potřebné) :
Reason (s) of extension (if applicable) : **N/A**
- 9.** Poznámky :
Any remarks : **N/A**
- 10.** Místo :
Place : **Praha**
Prague
- 11.** Datum :
Date :
Elektronický podpis: 19.5.2025
Certifikát autora podpisu:
Jméno: Ing. Jiří Počta
Vydal: PostSignum Qualified CA 4
Platnost do: 18.12.2025 11:02 +01:00
- 12.** Podpis :
Signature :
- 13.** Součástí tohoto osvědčení je seznam dokumentů v schvalovací dokumentaci uloženém Administrativní službou, které vydaly schválení a které lze získat na základě žádosti.
Annexed to this communication is a list of documents in the approval file deposited at the Administrative Services having delivered the approval and which can be obtained upon request

Seznam příložených dokumentů / List of attached documents

- Žádost o udělení homologace / Request for approval
- Kótovaný profil pneumatiky / Dimensioned tyre cross-section
- Výkresy bočnice a běhounu pláště / Drawing of the tyre sidewalls and tread
- Prohlášení výrobce / Manufacturer's declaration
- Protokol o zkoušce dle bodu 7. / The test report as mentioned in item 7.

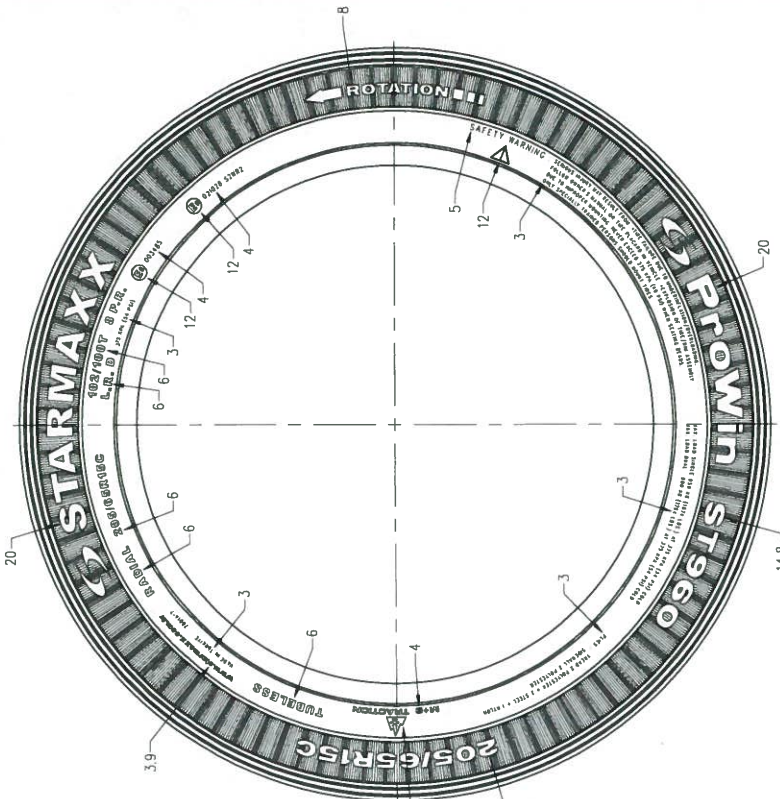
-
- (1) Nehodící se škrtněte
Delete that which does not apply
- (2) Seznam značek / ochranných známek nebo obchodních popisů / obchodních názvů může být přílohou k tomuto osvědčení
A list of brand name(s)/trademark(s) or trade description(s)/commercial name(s) may be annexed to this communication

E8 003485

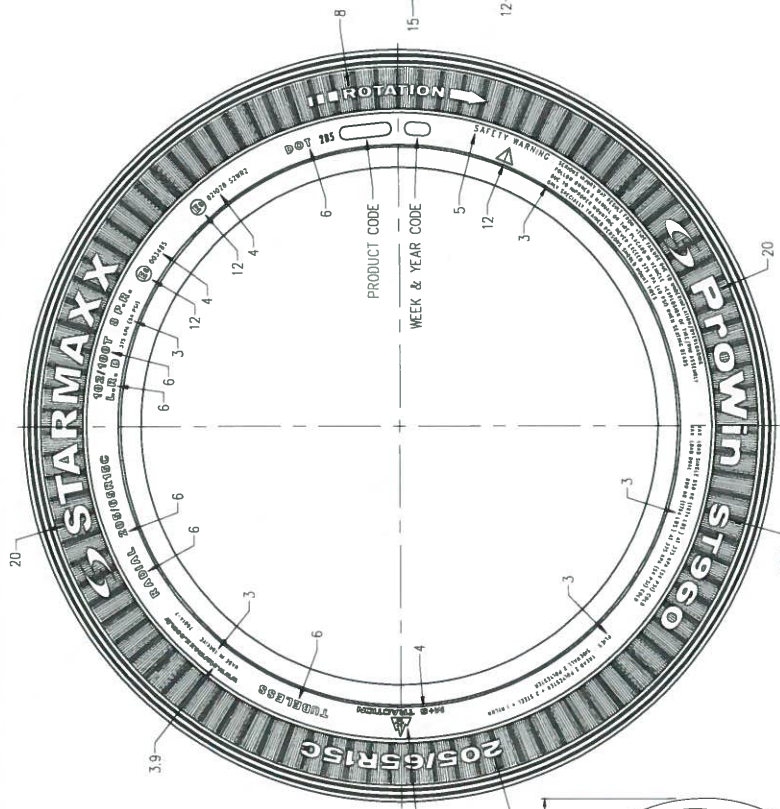
APPLICATION FOR APPROVAL ECE No. 54 - E8 003485

4.1.1	Tyre-size designation	: 205/65 R15 C	
4.1.2	The manufacturer's name	: PETLAS TIRE INDUSTRY AND TRADE COMPANY	
4.1.2.1	The Brand name(s)/trademark(s)	: STARMAXX	
4.1.2.2	The trade description(s)/commercial name(s)	: PROWIN ST960	
4.1.3	Category of use (normal/special/snow)	: SNOW	
4.1.3.1	For the tyres belonging to the category of use "special use tyre" those which may bear the inscription M+S or M.S or M&S	: N/A	
4.1.4	Structure (diagonal(bias ply)/radial)	: RADIAL	
4.1.5	Speed category	: T	
4.1.6	The load-capacity indexes	: 102/100	
4.1.7	Tube type / Tubeless	: TUBELESS	
4.1.8	Overall section width,	: 209	mm
	Outer diameter	: 647	mm
4.1.9	Factor X	: 0.70	
4.1.10	The rims on which the tyre can be mounted	: 5 ½ J 6 J 6 ½ J	inch
4.1.11	The measuring rim and test rim	: 6.00	inch
4.1.12	The inflation pressure for the dimension measurement and for the load/speed endurance test pressure	: 375	kPa
4.1.13	The additional load/speed combinations	: NA	

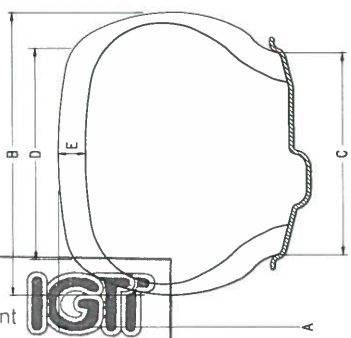




NON SERIAL SIDE

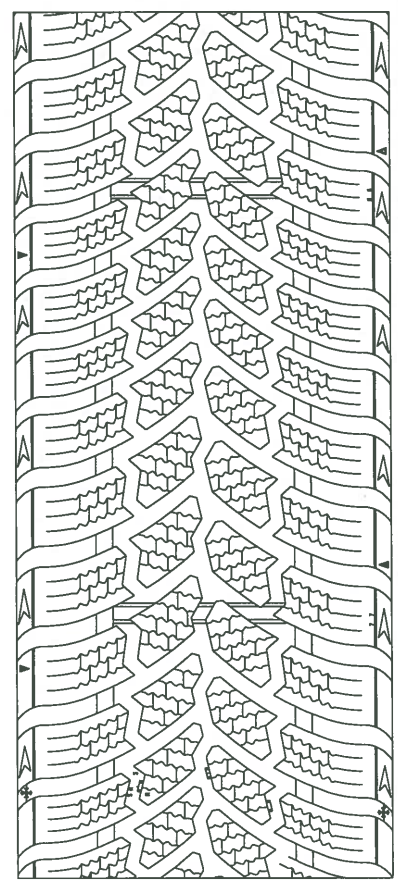


SERIAL SIDE



T	205/65R15 C	102/100	-	X	647	209	6.0	168	10.5	003485	021028 SZWR2	-	
T	205/65R15 C	102/100	-	X	647	209	6.0	168	10.5	003485	021028 SZWR2	-	
	HIZ SINIFI (SPEED CAT.)	YÜK KAPASİTE İNDEKSİ (LOAD CAP. INDEX)	LASTİK EBADİ (TIRE SIZE)	YÜK KAPASİTE İNDEKSİ (LOAD CAP. INDEX)	TIP (TYPE)	İÇ LASTİK (TUBELESS)	A	B	C	D	E	ONAY NO. (APPROVAL NO.) Eg R-30	ONAY NO. (APPROVAL NO.) Eg R-117
							mm	mm	mm	mm	mm	AKI KLAMA (REMARKS)	

SIRT DESEN (TREAD PATTERN) : ProWin ST960 SIRT (TREAD) : 2 POLYESTER + 2 STEEL + 1 NYLON YANAK (SIDEWALL) : 2 POLYESTER	RESİM NO. (DRAWING NO.) PKT-13801-A	TARİH (DATE) 02.05.2025	KONTROL (CHECKED) BARDI
			EDİTÖR ŞAHİN



[Handwritten signature]

IGTT a.s.
Tyre Approval Department
Štebberská 446, Louky
769 02 Zlín, Czech Republic
IČ/D: 46900080 DIČ/VAT: CZ46900080





Lastik Sanayi ve Ticaret A.Ş.

Date : 22.04.2025

Petlas Ref. No : 230/056/025

Subject : DECLARATION
Concern : Mr. Vaclav Horelka
Tire Approval Department Head
IGTT ZLIN

To whom it may concern;

Petlas confirms that the tires which are given below are produced under the same specification and same technology (same raw materials, same green tire specification, same machine, same mold). Only the trade mark of the tires are different.

BRAND	SIZE	APPROVAL NUMBER
PETLAS	205/65 R15 C FULLGRIP PT935 TL 102/100 T 8PR	E8 003484
STARMAXX	205/65 R15 C PROWIN ST960 TL 102/100 T 8PR	E8 003485

Erdin ÖNAT
R&D Manager


Lastik Sanayi ve Ticaret A.Ş.

PETLAS Lastik Sanayi ve Ticaret A.Ş.

Kindam Mah. Ankara-Kayseri Cad. No:2/1 KIRŞEHİR Tel: (0386) 252 65 50 Fax: (0386) 252 65 70
iletisim@petlas.com.tr

 Bir Abdulkadir Özcan A.Ş. Kuruluşudur.

137-F-178-02


IGTT a.s.
Tyre Approval Department
Šternberská 446, Louky
763 02 Zlín, Czech Republic
IČO: 46900080 DIČ/VAT: CZ46900080



PETLAS LASTİK DENEY LABORATUVARI

Kindam Mh. Ankara - Kayseri Cd. No: 2/1
40100 Merkez / KIRŞEHİR

Deney Raporu Test Report



TS EN ISO/IEC 17025
AB-1922-T

AB-1922-T

D025-790

04-25

Müşterinin Adı/Adresi
Customer Name/Address : **PETLAS LASTİK SANAYİ ve TİCARET A.Ş. / Kindam Mahallesi Ankara-Kayseri Cad. No:2/1 KIRŞEHİR - TÜRKİYE**

Laboratuvar İşlem Numarası
Laboratory Order No. : **N025-1246**

Numunenin Adı Tarif ve Durumu
Name, identity and condition of test item : **PETLAS 205/65 R15 C FULLGRIP PT935 TL 102/100 T 8PR LASTİĞİ
PETLAS 205/65 R15 C FULLGRIP PT935 TL 102/100 T 8PR TYRE**

Numunenin Kabul Tarihi
The Date of Receipt of Analysis Item : **26.02.2025**

Açıklamalar
Remarks : **-**

Testin Yapıldığı Tarih
Date of Test : **11.04.2025**

Raporun Sayfa Sayısı
Number of Pages of the Report : **4**

Deney laboratuvarı olarak faaliyet gösteren PETLAS LASTİK DENEY LABORATUVARI, TÜRKAK'tan AB-1922-T ile TS EN ISO/IEC 17025:2017 standardına göre akredite edilmiştir.

PETLAS LASTİK DENEY LABORATUVARI accredited by TÜRKAK under registration number AB-1922-T for TS EN ISO/IEC 17025:2017 as test laboratory.

Türk Akreditasyon Kurumu (TÜRKAK) deney raporlarının tanınırlığı konusunda Avrupa Akreditasyon Birliği (EA) ile Çok Taraflı Anlaşma ve Uluslararası Laboratuvar Akreditasyon Birliği (ILAC) ile karşılıklı tanıma anlaşması imzalamıştır.

Turkish Accreditation Agency (TÜRKAK) is a signatory to the European co-operation for Accreditation (EA) Multilateral Agreement (MLA) and to the International Laboratory Accreditation Cooperation (ILAC) Mutual Recognition Arrangement (MRA) for the recognition of test reports

Deney ve /veya ölçüm sonuçları, genişletilmiş ölçüm belirsizlikleri (olması halinde) ve deney metotları bu sertifikanın tamamlayıcı kısmı olan takip eden sayfalarda verilmiştir.

The test and/or measurement results, the uncertainties (if applicable) with confidence probability and test methods are given on the following pages which are part of this report.

Analiz sonuçları yalnızca testi yapılan numunelerle ilgilidir. The results are related only to the items tested.

Numuneler müşteri tarafından alınarak laboratuvara teslim edilmiştir. The samples were taken by the customer and delivered to the laboratory.

Mühür/Kayıt Seal	Deney Sorumlusu & Rapor Hazırlayan / Tarih Person in charge of test & Prepared By / Date	Kontrol Eden / Tarih Check / Date	Onaylayan / Tarih Approval / Date
	BERKAY DEMİRHAN 14.04.2025 	EKREM TURNA 16.04.2025 	EKREM TURNA 16.04.2025
Yayımlandığı Tarih Issue Date 14.04.2025	Lastik Deney Mühendisi Tyre Test Engineer	Lastik Deney Şefi Tyre Test Chief	Lastik Deney Şefi Tyre Test Chief

Tel: +90 386 252 65 50 Faks: +90 386 252 65 70 <http://www.petlas.com.tr> lasik.deney@petlas.com.tr

Bu rapor, laboratuvarın yazık izni olmadan kısmen kopyalanıp çoğaltılamaz. İmzasız ve mühürlü raporlar geçersizdir.

This report shall not be reproduced other than in full except with the permission of the laboratory. Testing reports without signature and seal are not valid.

IGTT a.s.

Tyre Approval Department
Šternberská 446, Louky
763 02 Zlín, Czech Republic

İÇ/ID: 46900080 DIÖ/VAT: CZ46900080





TYPE APPROVAL TEST REPORT

REPORT NO: D025-790

TYRE SPECIFICATION

Manufacturer Name	: PET LAS TIRE INDUSTRY AND TRADE CO	Speed Category Symbol	: T
Manufacturer Address	: KINDAM MAH ANKARA KAYSERI CAD NO 2/1 KIRSEHIR / TURKEY	Reinforced/Ordinary	: ORDINARY
Brand	: PETLAS	Category of Use	: SNOW
Pattern Name	: FULLGRIP PT935	TITL	: TL
Product Code	: 41762	Date of Manufacture	: 0925
Size Designation	: 205/65 R15 C	Barcode Number	: 100412577
Load Capacity Index	: 102/100	Approval Number	: E8 003484

TEST AND EQUIPMENT SPECIFICATION

Test Tyre Receiving Date	: 20.02.2025
Test Date	: 11.04.2025
Reference Regulation	: UN Regulation No. 54
Petlas Test Code	: 5500
The Tests Conducted	: 1 - Marking Control <input checked="" type="checkbox"/> 2 - Dimensions Measurement <input checked="" type="checkbox"/> 3 - Load/Speed <input checked="" type="checkbox"/>
Test Machine Name (Drum Diameter)	: ASM-1 (1.707 m)
Pressure Gauge Calibration No - Serial No. - Accreditation no.	: 2501346 - 124299 - AB-1922-T
Caliper Calibration No - Serial No. - Accreditation no.	: 2514039 - 0026399 - AB-1922-T
Tape Measure Calibration No - Serial No. - Accreditation no.	: 2519109 - 2410837 - AB-1922-T
Test Rim	: 6x15
Test Technician	: FATIH SAHIN

CUSTOMER INFORMATION

Name	: Same as Manufacturer
Address	: Same as Manufacturer

TYRE VISUAL INSPECTION RESULT BEFORE TEST

Tyre was inspected and any evidence of failure was not detected.

Remarks:



TYPE APPROVAL TEST REPORT

REPORT NO: D025-790

TEST 1 - MARKING CONTROL

Trade name or Mark	YES <input checked="" type="checkbox"/>	NO <input type="checkbox"/>	N/A <input type="checkbox"/>
Commercial/Pattern Name Marking	YES <input checked="" type="checkbox"/>	NO <input type="checkbox"/>	N/A <input type="checkbox"/>
Tyre Size Designation Marking	YES <input checked="" type="checkbox"/>	NO <input type="checkbox"/>	N/A <input type="checkbox"/>
Tyre Structure Marking	YES <input checked="" type="checkbox"/>	NO <input type="checkbox"/>	N/A <input type="checkbox"/>
Speed Category Symbol Marking	YES <input checked="" type="checkbox"/>	NO <input type="checkbox"/>	N/A <input type="checkbox"/>
Load Capacity Index Marking	YES <input checked="" type="checkbox"/>	NO <input type="checkbox"/>	N/A <input type="checkbox"/>
"FRT"	YES <input type="checkbox"/>	NO <input type="checkbox"/>	N/A <input checked="" type="checkbox"/>
"TRACTION" marking in case of tire	YES <input checked="" type="checkbox"/>	NO <input type="checkbox"/>	N/A <input type="checkbox"/>
"Regroovable"	YES <input type="checkbox"/>	NO <input type="checkbox"/>	N/A <input checked="" type="checkbox"/>
"M+S" marking in case of "Snow" or "Special Use" tire	YES <input checked="" type="checkbox"/>	NO <input type="checkbox"/>	N/A <input type="checkbox"/>
"MPT" marking in case of Special Use Tire	YES <input type="checkbox"/>	NO <input type="checkbox"/>	N/A <input checked="" type="checkbox"/>
"TUBELESS" marking in case of without inner tube use	YES <input checked="" type="checkbox"/>	NO <input type="checkbox"/>	N/A <input type="checkbox"/>
Date of Manufacture	YES <input checked="" type="checkbox"/>	NO <input type="checkbox"/>	N/A <input type="checkbox"/>
Approval Number Marking	YES <input checked="" type="checkbox"/>	NO <input type="checkbox"/>	N/A <input type="checkbox"/>
"ERS" Marking	YES <input type="checkbox"/>	NO <input type="checkbox"/>	N/A <input checked="" type="checkbox"/>

RESULT : The tire markings are fulfill the reference regulation requirements.

TEST 2 - DIMENSIONS MEASUREMENT

Conditioning	: 24 hours at 25° C
Inflation Pressure (kPa)	: 375
Overall Width Measurements (mm)	: 204,7 / 203,8 / 203,6 / 203,7 / 204,1 / 203,3
Maximum Circumference (mm)	: 2050

PARAMETERS	LIMIT VALUES (mm)	MEASURED VALUES (mm)
Nominal Overall Width-S	209,0	204,7
Maximum Overall Width-Smax	217,0	
Nominal Outer Diameter-D	647,0	652,5
Minimum Outer Diameter-Dmin	639,0	
Maximum Outer Diameter-Dmax	664,0	

RESULT : The dimensions are fulfill the reference regulation requirements.

TEST 3 - LOAD / SPEED TEST

Conditioning	: 3 saat 25° C
Inflation Pressure (kPa)	: 375

Date/Time	Test Step No	Test Procedure			Control
		Duration (min.)	Test Load (kg)	Test Speed (km/h)	
11.4.2025 21:20	0	0	0	0	F.S.
	1	10	765	0 - 170	
	2	10	765	170	
	3	10	765	180	
11.4.2025 22:20	4	30	765	190	F.S.

RESULT : Tire completed the load/speed test without any failure.

FINAL RESULT: THE TYRE PASSED ALL TESTS ACCORDING TO THE REFERENCE REGULATION

Remarks:



PETLAS LASTİK DENEY LABORATUVARI

Deney Metodu
Test method

ECE R54 - Annex 6 - Boyutsal Ölçüm , ECE R54 - Annex 7 Yük/Hız Performans Deneyi
: ECE R54 - Annex6 - Dimensional Measurement , ECE R54 - Annex 7 Load/ Speed Performance Test

Deney Sonuçları
Test Results

Deney Sonuçları Sayfa 3'te yer almaktadır.
: Test Results is included on page 3.

Çevre şartları:
Environmental conditions

: 25 ± 5 °C

Ölçüm belirsizliği (k=2 %95 güven aralığı):
Measurement uncertainty (k=2 95% confidence interval)

: -

Ölçüm sonuçlarının şartnamelere veya standartlara uygunluk beyanı
Conformity with requirements or specifications:

: -

Feragat beyanı
Disclaimer

: -

Karar Kuralı
Decision Rule:

: -

Analiz yönteminden eklemeler, çıkarmalar ve sapmalar

: -

Açıklamalar
Remarks

: -

* İşareti ile gösterilen analiz metodları, Akreditasyon kapsamı dışındadır.
* Analysis methods indicated by the mark is outside the scope of accreditation.

Dış tedarikçi laboratuvar kullanılmamaktadır.
External supplier laboratories are not used.