

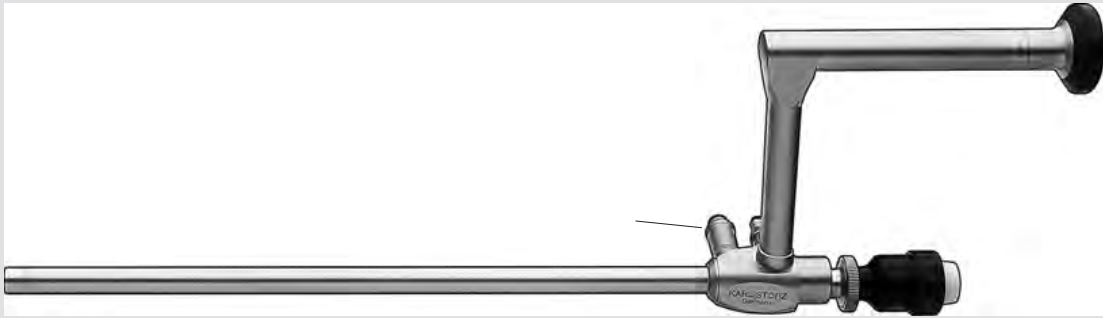








The chapter “Components / Spare Parts” contains detailed information on KARL STORZ instruments.

For easy location and reference, an index is available which lists the order number of the spare parts as well as those of the entire instrument, set or unit.

Hotline

Queries concerning products, exchange, maintenance and cleaning can be addressed to Technical Support: +49 (0)7461/708-980, from Monday to Thursday from 7 – 18 h and Friday from 7 – 17 h.

Example:

| Components / Spare Parts | Catalog page |
|--|---|
| 26034 AA HOPKINS® Straight Forward Telescope 0° | 35 |
|  | |
| 26034 V | |
| Spare Parts | |
|  | 26034 V Adaptor , with silicone leaflet valve, for working channels |
|  | 8458190 Stopcock |
|  | 495 F Receptacle , diameter 9 mm, for Wolf fiber optic light cable |
|  | 6985691 Spring Cap |
|  | 495 G Screw Base , for KARL STORZ fiber optic light cables and Olympus Corporation |
|  | 7720590 Silicone Leaflet Washer |
|  | 6127590 Sealing Cap , (50/4), for trocars size 6 mm |
|  | 30120 Y Silicone Leaflet Washer , autoclavable, package of 5 |

Components/spare parts with corresponding order number of the instrument and reference to catalog page