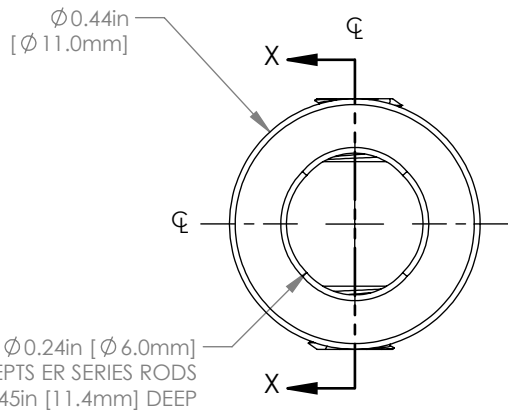
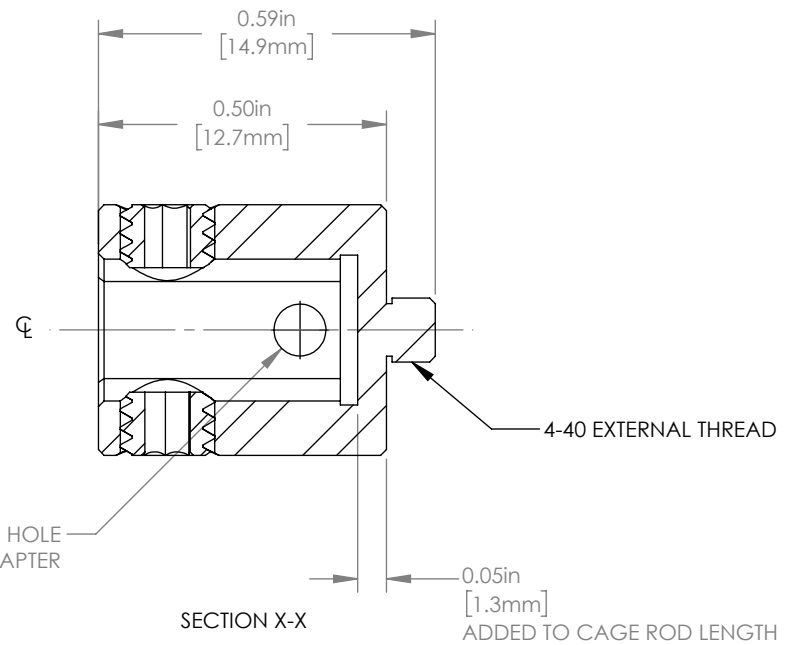
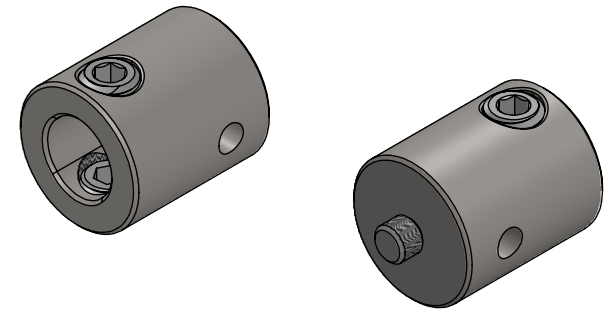


8-32 LOCKING SCREW
5/64in [2.0mm] HEX
BOTH SIDES



$\varnothing 0.24\text{in}$ [$\varnothing 6.0\text{mm}$]
ACCEPTS ER SERIES RODS
0.45in [11.4mm] DEEP



$\varnothing 0.09\text{in}$ [$\varnothing 2.3\text{mm}$] THRU HOLE
TO HELP TIGHTEN AND LOOSEN ADAPTER

4-40 EXTERNAL THREAD

0.05in [1.3mm]
ADDED TO CAGE ROD LENGTH

SECTION X-X

FOR INFORMATION ONLY
NOT FOR MANUFACTURING PURPOSES

DRAWING PROJECTION

	NAME	DATE
DRAWN	ET	12/JUN/21
APPROVAL	AK	23/JUN/21

COPYRIGHT © 2021 BY THORLABS

VALUES IN PARENTHESIS ARE CALCULATED
AND MAY CONTAIN ROUND OFF ERRORS

THORLABS
www.thorlabs.com

EXTENDED ER ROD ADAPTER, 0.5in
4-Pack

MATERIAL
STAINLESS STEEL

REV
A

ITEM #
ERSCB05-P4

APPROX WEIGHT
6.4 g