

# JVC

2 Megapixel 21.3" Color Monitor

# CL-S200

The gold standard in medical imaging



**i3** for Medical Imaging  
**SERIES**

21.3"

1000  
cd/m<sup>2</sup>

1800:1

16Bit  
LUT

DisplayPort  
&  
DVI-D

Calibration  
Function

Color  
Front  
Sensor

Uniformity  
Equalizer

Dynamic  
Gamma

Auto  
Text  
Mode

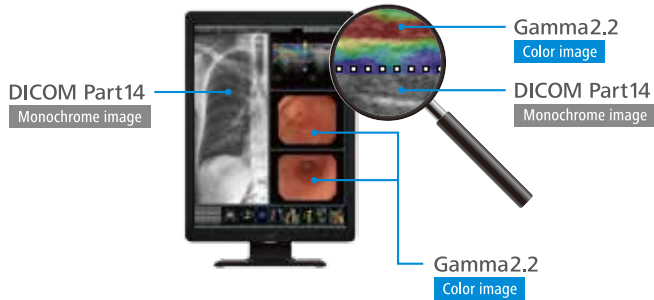
Human  
Presence  
Sensor

LED  
Backlight

# 2 Megapixel 21.3" Color Monitor CL-S200

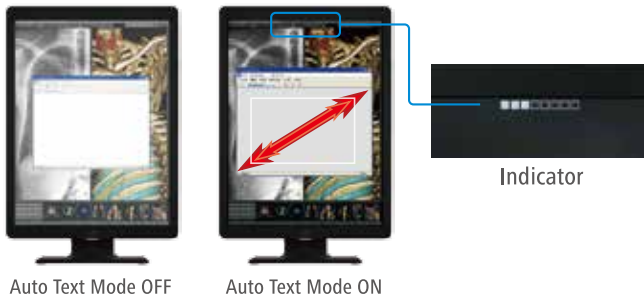
## Dynamic Gamma

Color Images are automatically recognized to provide optimized contrast, brightness and gamma. No user intervention is required.



## Auto Text Mode

Brightness is automatically adjusted on patient lists and reporting applications to reduce eye strain.



## Integrated QA Solution **QA Medivisor Agent (Option)**

QA Medivisor Agent providing calibration and QA standard testing capabilities through an intuitive and easy to navigate user interface makes it effective to manage day-to-day operation in the radiology department. Simplified calibration scheduling tool QA Medivisor Agent LE is included.





\*Optional calibration kit CAL-016 is required for standard QA testing.

## Self-calibration

With the integrated color front sensor, the CL-S200 self-calibrates to the DICOM Part 14 Standard on a regular schedule.

• "JVC" is a brand of medical and industrial monitors manufactured and sold by JVCKENWOOD Corporation. • Company names and product names are the registered trademarks of the respective companies. • Product specifications and appearance are subject to change without notice. • Colors in photographs may differ from actual colors due to the printing process. • Images on screens are simulated.

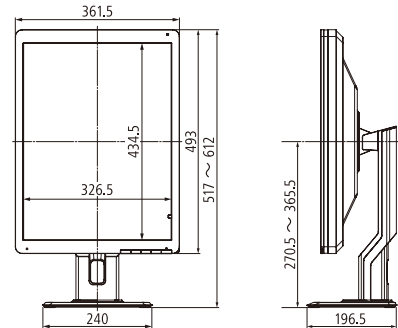
 <b>Safety Precautions</b>	<ul style="list-style-type: none"> <li>• Please read the user's manual for safe and proper use.</li> <li>• Do not expose the product to dust, moisture, steam, or oily smoke. It could cause fire, electric shock, or a failure.</li> </ul>
--	---

<b>Healthcare Business Division</b> <b>JVCKENWOOD Corporation</b> 3-12, Moriya-cho, Kanagawa-ku, Yokohama-shi, Kanagawa, 221-0022, JAPAN TEL : +81-45-450-1908 FAX : +81-45-450-1926 Email : MEDICAL-DISPLAY.J_JKC@jvckenwood.com	<b>JVC Healthcare Website</b>  <a href="http://healthcare.jvc.com/">http://healthcare.jvc.com/</a>
--	---

## Specifications

<b>Model Name</b>		CL-S200
<b>LCD Panel</b>	<b>Technology</b>	21.3" color TFT IPS technology
	<b>Display Area</b>	324 mm × 432 mm
	<b>Pixel Pitch</b>	0.270 mm × 0.270 mm
	<b>Contrast Ratio</b>	1800 : 1 (typ.)
	<b>Maximum Luminance</b>	1000 cd/m <sup>2</sup> (typ.) 410 cd/m <sup>2</sup> / 500 cd/m <sup>2</sup> (calibrated)
	<b>Viewing Angle</b>	178° vertical and horizontal
<b>Visual Performance</b>	<b>Native Resolution</b>	1200 × 1600
	<b>Display Colors</b>	16.77 million colors from a palette of 68 billion colors 1.07 billion colors with DisplayPort and 10-bit viewer
<b>Interface</b>	<b>Input Signal</b>	DVI-D (DVI 1.0 compliant) DisplayPort (DisplayPort 1.2a compliant)
	<b>Output Signal</b>	DisplayPort (DisplayPort 1.2a compliant)
	<b>Plug and Play</b>	DDC2B compliant
<b>Input Power Supply</b>	<b>Input Power Supply</b>	100 V - 240 V 50 / 60Hz
	<b>Power Consumption</b>	35 W (typ.)
<b>Features</b>	<b>Calibration Control</b>	Luminance, Gamma, Color temperature Capable of storing 3 sets of LUT (Optional Calibration Kit is required)
	<b>OSD Information Display</b>	Model name, Serial No., Total operating time, Calibration settings (Operating time since last calibration, Luminance, Gamma), Current luminance, Color temperature and Ambient light, DICOM conformance
	<b>USB Hub</b>	USB Rev.2.0 compliant, Self-powered USB upstream connector (x1), USB downstream connector (x2)
	<b>Other Features</b>	Uniformity Equalizer, Hardware pivot, LED indicator, Advanced power management, Human Presence Sensor, Dynamic Gamma, Auto Text Mode, Luminance stabilization, Multiple LUT, Self DICOM check, Self-calibration
<b>Approvals</b>		ANSI/AAMI ES60601-1 (2005) + A1 (2012), CAN/CSA-C22.2 No. 60601-1 (2014), CE (EN60601-1, EN60601-1-2), RCM, FCC Part15 subpart B Class B, ICES-003-B, VCCI-B, FDA510(k), J-Moss, RoHS, EAC <small>*Please contact JVC for latest information.</small>
<b>Physical Characteristics</b>	<b>Dimensions (W × H × D)</b>	Landscape : 493 mm × 451.3 / 546.3 mm × 196.5 mm Portrait : 361.5 mm × 517 / 612 mm × 196.5 mm
	<b>Weight</b>	approx. 9 kg
	<b>Tilt Stand</b>	Tilt, Swivel, Portrait / Landscape
	<b>Mount</b>	VESA standard (100 mm × 100 mm)
	<b>Security Slot</b>	Anti-theft security slot
<b>Accessories</b>		Power cord, DisplayPort cable, USB cable, Operation manual, Installation manual, Software (QA Medivisor Agent LE)

## Dimensions (mm)



## Options

### Calibration Kit CAL-016

- Software
- Color Sensor



Please contact our distributor below with inquiries and orders.