



OPTO-EDU (BEIJING) CO., LTD.

F-1501 Wanda Plaza, No.18 Shijingshan Road, Beijing 100043, China
Tel:+8610 88696020 Fax:+8610 88696085

A12.1502

Laboratory Microscope



Upgrade To Trinocular



Upgrade To Trinocular



Upgrade To Large Stage

Upgrade To Kohler Illumination

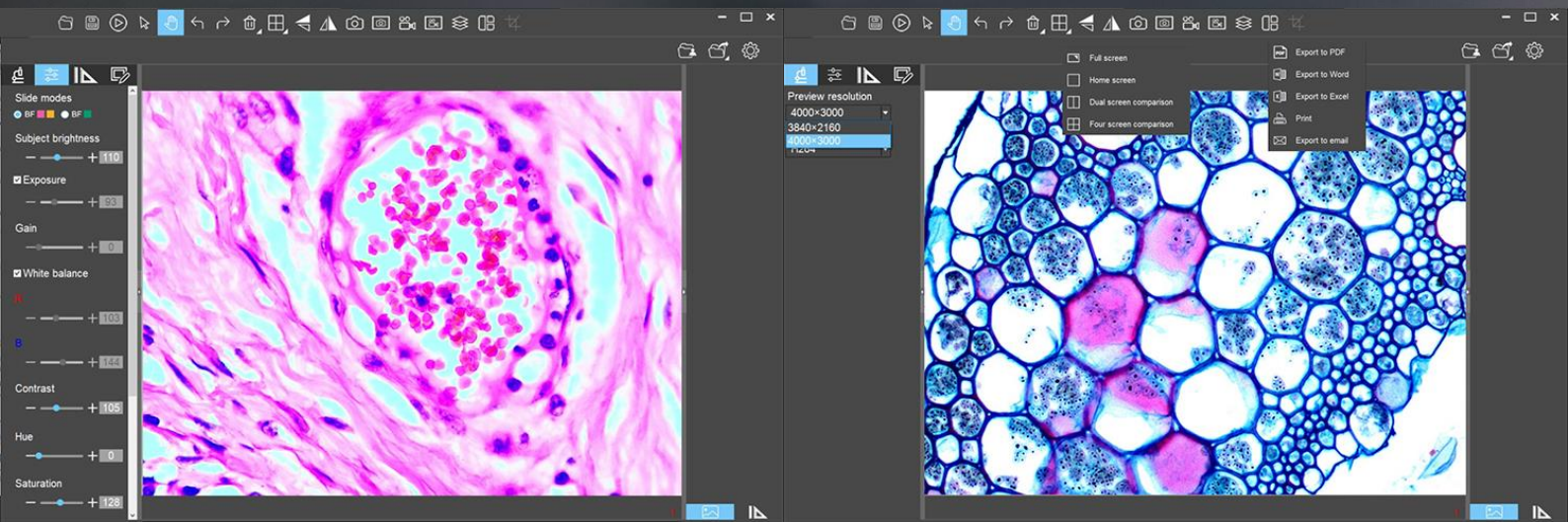


Upgrade To Digital Microscope





Real Time Display On LCD Screen & Computer



Product Details



Head & Eyepiece

Inclined 30°, Interpupillary 48-75mm, 360° Rotatable
WF10x/22mm For A12.1502-B,T; WF10x/20mm For A12.1502-AB,AT



A12.1502-AB,AT
Backward Quadruple Nosepiece
High Contrast Chromatic-free
4X,10X,40X,100X

Large Size Double Layer
Mechanical Stage 142x132mm

A12.1502-B,T
Backward Quadruple Nosepiece
Infinite Plan High Contrast
Chromatic-free 4X,10X,40X,100X

Large Size Double Layer
Mechanical Stage 216x150mm

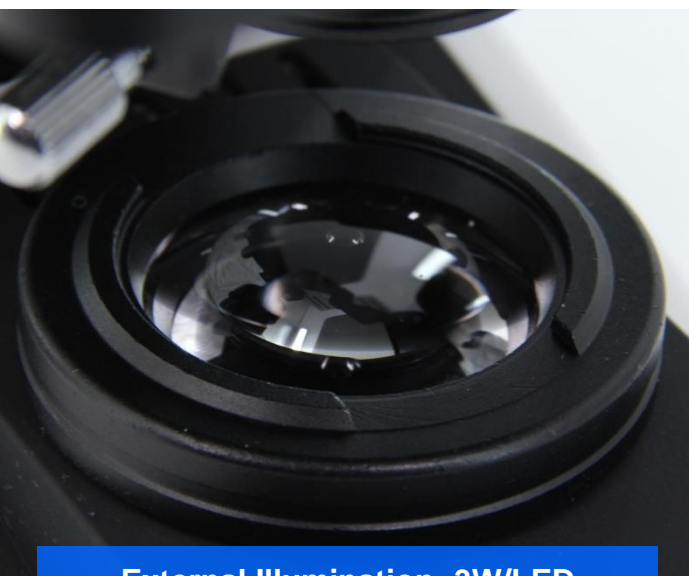


Condenser

Abbe Condenser NA1.25,
with Iris Diaphragm,
Center Adjustable



Kohler Illumination, 3W/LED
For A12.1502-B,T



External Illumination, 3W/LED
For A12.1502-AB,AT



Brightness Adjustable
Removable Cover For Easy Repair & Maintenance





Elegant Design With Built-in Easy Handle
For Easy Moving + Wire Winding Device

Product Models



A12.1502-B



A12.1502-AB



A12.1502-T

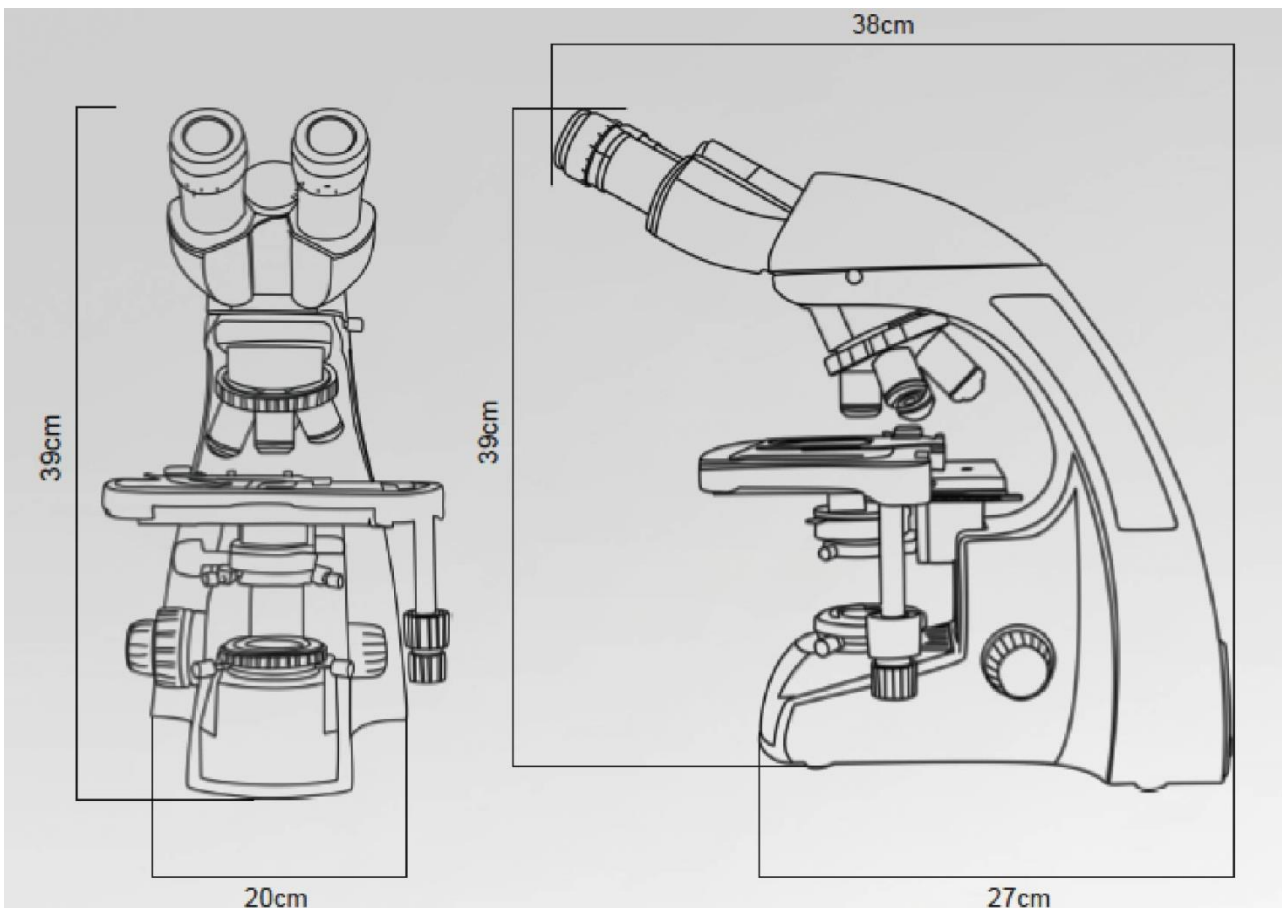


A12.1502-AT

Product Specification

A12.1502 Laboratory Biological Microscope		B	T	AB	AT
Optical System	Infinity Optical System	●	●		
	Achromatic Optical System			●	●
Head	Binocular, Inclined at 30°, Interpupillary 48-75mm, 360° Rotatable	●		●	
	Trinocular, Inclined at 30°, Interpupillary 48-75mm, 360° Rotatable		●		●
Eyepiece	WF10x/22mm, Dia.30mm, High Eyepoint, Diopter Adjustment -/+5	●	●		
	WF10x/20mm, Dia.30mm, High Eyepoint, Diopter Adjustment -/+5			●	●
Nosepiece	Backward Quintuple Nosepiece	●	●	●	●
Objective	Infinite Plan High Contrast Chromatic-free 4X,10X,20X, 40X(S),100X(S,Oil)	●	●		
	Plan High Contrast Chromatic-free 4X,10X,20X, 40X(S),100X(S,Oil)			●	●
Condenser	Abbe Condenser NA1.25, with Iris Diaphragm, Center Adjustable	●	●	●	●
Focusing	Coaxial Coarse and Fine Adjustment, Fine Division 0.002mm, Coarse Stroke 37.7mm/Rotation, Moving Range 24mm, With Safety Stop Screw, Tension Adjustable	●	●	●	●
Working Stage	Large Size Double Layer Mechanical Stage 216x150mm, Graphite Surface, Moving Range 75mmx55mm, Reckless Safety Round Edge	●	●		
	Large Size Double Layer Mechanical Stage 142x132mm, Graphite Surface, Moving Range 75mmx50mm			●	●
Light Source	Kohler Illumination, 3W/LED, Brightness Adjustable, With Blue Filter	●	●	●	
	External Illumination, 3W/LED, Brightness Adjustable, With Blue Filter				
Adapter	C-Mount 0.5x		●		●

System Size(mm)



A12.1502 Laboratory Biological Microscope Optional Accessories

Eyepiece	WF16X/F.N.15mm	A51.1502-16
	WF20X/F.N.12mm	A51.1502-20
Nosepiece	Backward Quintuple Nosepiece	A54.1502-5
Dark Field	Dark Field Condenser, Dry, N.A.1.25	A5D.1502-D
	Dark Field Condenser, Immersion, N.A.1.25~1.36	A5D.1502-I
Polarizing	Polarizer & Analyzer	A5P.1501
Phase Contrast	Turret Disc Phase Contrast Condenser, For 10x,20x,40x,100x	A5C.1501
	Infinity Plan Phase Contrast Objective 10x,20x,40x,100x	
	Centering Telescope 10x Optional For B, T Only	
Fluorescent	Epi-Fluorescent Illuminator 100W Mercury Lamp House	A5F.1501
	12V100W Power Supply Box	
	Fluorescent Filter B, G Optional For B, T Only	
Adapter	Eyepiece Tube Adapter	A55.1502-E
	C-Mount 1.0x	A55.1502-10

A51.1502-10



A51.1502-16



A51.1502-20



A55.1502-E



A55.1502-10



A55.1502-05



◆ **Dark-field Viewing**

It can be used for clearly viewing of blood or flagellum etc. fine structure.



A5D.1502-D



A5D.1502-I



◆ **Polarizing Viewing**

It is quite suitable for viewing collagen, amyloid and crystal etc. double refracting specimen.



◆ Phase Contrast Viewing

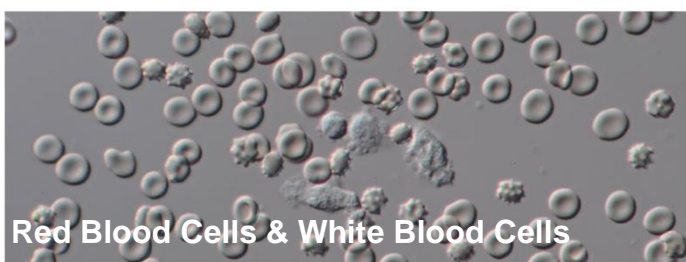
Operators can get high contrast image of neutral background color whatever the magnifications are. It is suitable for viewing non-stained specimen.

Turret Disc Phase Contrast Condenser, For 10x,20x,40x,100x

Infinity Plan Phase Contrast Objective 10x,20x,40x,100x

Centering Telescope 10x

Optional For A12.1502-B/-T Only



Red Blood Cells & White Blood Cells



Saccharomyces Cerevisiae

◆ Fluorescent Viewing

Epi-Fluorescent Illuminator

100W Mercury Lamp House

12V100W Power Supply Box

Fluorescent Filter B, G

Optional For B, T Only

