



Self-contained ice maker - Sprayer system Daily production up to 54 kg

| | |
|---------------|----------------------|
| Hotel | ████████████████████ |
| Restaurant | ████████████████████ |
| Fast food | ████████████████████ |
| Bar | ████████████████████ |
| Disco | ████████████████████ |
| Fish market | ████████████████████ |
| Supermarket | ████████████████████ |
| Medical & SPA | ████████████████████ |
| Industry | ████████████████████ |

► Position n°



► Features & Plus

- Compact and crystal cube
- AISI 304 SS Scotch Brite finish
- Tropical class +43°C
- Adjustable Stainless Steel feet
- Removable and cleanable air filter
- Air or water cooling system
- Easy cleanable internal rounded surfaces
- HCFC-Free insulated storage
- RoHS Free
- Disappearing insulated door
- Electromechanical operation
- ON-OFF rocker switch
- Standard and special voltages
- HFC Free
- Automatic Washing system



AISI 304 SS Scotch Brite finish



Adjustable Stainless Steel feet

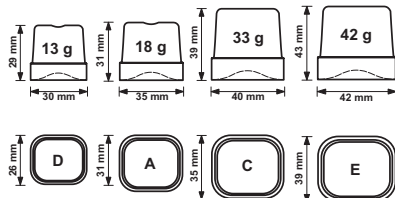


Removable and cleanable air filter



Disappearing insulated door

► Available ice cube size



► Prod. 24h

| Air temp. | Water temp. | kg | lbs | | |
|-----------|-------------|-------|-------|-------|-------|
| | | | | 10° C | 50° F |
| 21° C | 70° F | 15° C | 60° F | 48 | 106 |

2 Years Warranty
subject to limitations

► Certifications available for this model



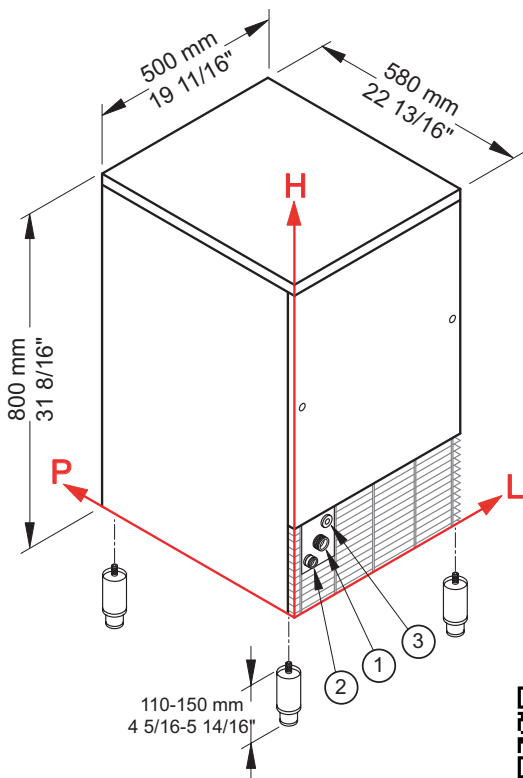


Ice Cube

CB 425 HC



Self-contained ice maker - Sprayer system Daily production up to 54 kg



► Working conditions

- Location: **Indoor**

| | Min | Max |
|----------------------|-----------------|-----------------|
| Ambient temperature | +10° C / +50° F | +43° C / 110° F |
| Water temperature | +3° C / +37° F | +32° C / +90° F |
| Voltage | -10% | +10% |
| Water inlet pressure | 1bar (14 psi) | 6bar (84 psi) |

► Performances

| | Air temperature | Water temperature | Water temperature | | | | | |
|--|-----------------|-------------------|-------------------|---------|-------|--------|-------|-------|
| | | | 7° C | 45° F | 15° C | 60° F | 21° C | 70° F |
| | 10° C | 54 kg | | | | | | |
| | 50° F | 119 lbs | | | | | | |
| | 21° C | | 48 kg | | | | | |
| | 70° F | | | 106 lbs | | | | |
| | 32° C | | | | 44 kg | | | |
| | 90° F | | | | | 97 lbs | | |

► Connections

All measures are referred to the rear bottom-left corner (L-H-Ø)

- ① Water in.: 111 mm / 4 6/16" - 196 mm / 7 11/16" - 3/4" ② Water out.: 49 mm / 1 15/16" - 151 mm / 5 15/16" - 24 mm / 15/16"
 ③ Electrical connections: 156 mm / 6 2/16" - 232 mm / 9 2/16"

► Technical information

| | | | |
|---------------------------|----------------------------|----------------------------|--|
| Production in 24h | 48 kg / 106 lbs | Water consumption | A: 3 l/kg - 36 gal/100 lbs |
| Store capacity, up to | 25 kg / 55 lbs | | W: 15 l/kg - 180 gal/100 lbs |
| Cooling system | A - W | Sizes (L-P-H mm) | 500 - 580 - 800 |
| Kind of cube | A-18g, C-33g, D-13g, E-42g | (L-P-H in) | 19 11/16 - 22 13/16 - 31 8/16 |
| Refrigerant | R290 | Sizes with pack (L-P-H mm) | 550 - 630 - 990 |
| Standard voltage | 220-240 V ~ 50 Hz | (L-P-H in) | 21 10/16 - 24 13/16 - 39 |
| Average power consumption | 450 W | Net weight | 56 kg / 123 lbs |
| Fuse | 10 A | Gross weight | 64 kg / 141 lbs |
| Electrical consumption | 28 kWh/100kg | Finish | AISI 304 stainless steel, scotch brite |

All the technical information must be considered at the following conditions:

- Sizes without feet
- Standard Cube (18 g)
- Ambient temperature +21° C
- Water temperature +15° C
- Electrical consumption at +32° C (standard voltage)
- Average power consumption at +43° C (standard voltage)

Models and specifications are subject to change without notice

Rev. 03 - Issued September 2019



www.bremaice.it
info@bremaice.it

Bim + Data
download

