

# JADE

Portable X-ray System

*Compact & Elegant Design*  
*Convenient & Intuitive Operation*



# High Performance and Reliability

## Compact & Elegant Design

JADE is an innovative, highly versatile portable X-ray system suitable for a variety of clinical uses. Utilizing the unique technology used in DRGEM's universally recognized X-ray generators, JADE is a compact but powerful unit with a 4kW output and thoughtfully designed components to increase efficiency and maximize workflow. The core part of X-ray source adopts high quality tube assembly, X-ray collimator and high frequency X-ray generator with excellent performance, durability, and stability.

## Convenient & Intuitive Operation

JADE is one of the lightest portable X-ray systems on the market, allowing it to be used in any imaginable way including bedside, operating rooms, intensive care units and in home healthcare and applicable medical fields.

With intuitive use operator console, three-way control, two-step foldable stand and auto lock system, JADE is a user-friendly portable X-ray system.

### DR Option 1

Laptop PC stand  
Storage compartment for FPD,  
Laptop PC and accessories

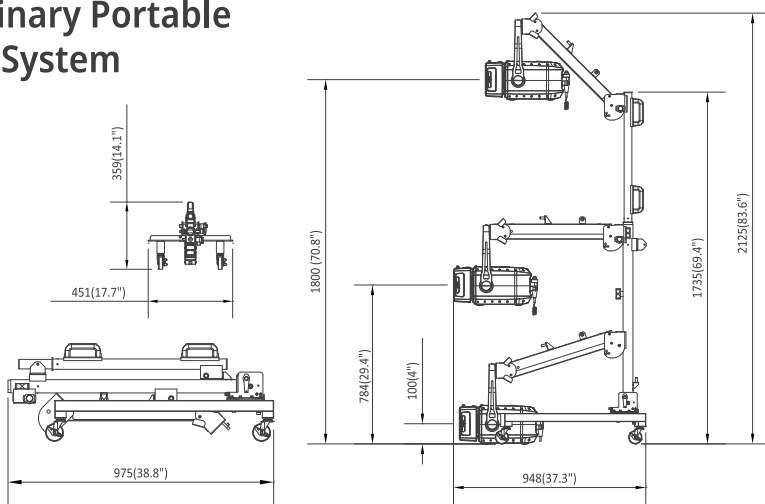


### DR Option 2

Laptop PC stand  
Storage compartment for FPD, Laptop PC and  
accessories include compartment cover,  
wheels on handle bar



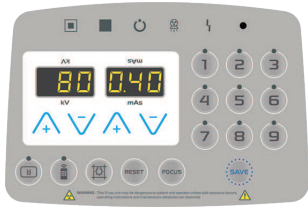
### Veterinary Portable X-ray System



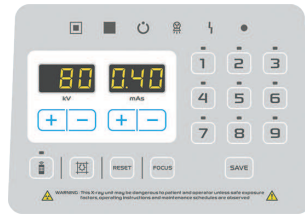
\* Unit : mm (inch)



# Four-way Control



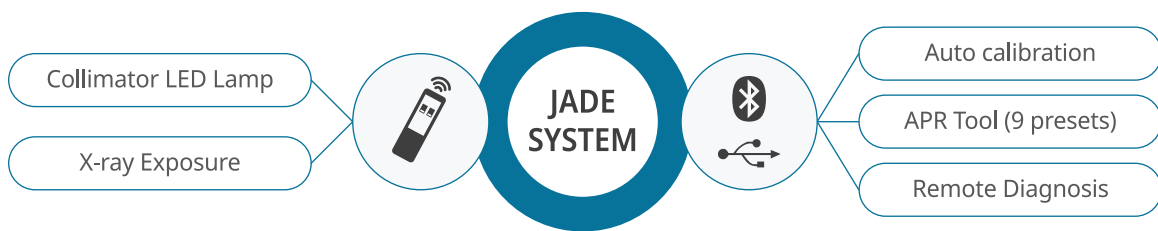
Operator Control Panel



External Operator Control Panel



Remote Controller



Control Application  
USB Interface & Bluetooth



## Features

- 4kW, 100kHz, high frequency X-ray Generator
- Maximum 120kVp / 0.1~250mAs
- 330~2,000mm FD
- 53.5kg including X-ray unit, collimator and stand
- Maximum height of 228.6cm
- Collimator with 30 seconds LED lamp timer
- Exposure Hand Switch
- Foldable, two-step stand
- DR option: Laptop, detector, imaging software
- USB interface & Bluetooth
- Vehicle loadable
- Wheel lock
- Automatic tube arm lock at any angle
- Storage space for cassettes or detectors
- User Programmable APR, save up to 9 APR presets.
- Three way X-ray exposure
- Remote control (Option)

# DRGEM

*Your Best Healthcare*

©DRGEM Corporation - All rights reserved.

Reproduction in whole or in part is prohibited without the written consent of the copyright-holder.

Specifications and features are subject to change without notice.

All changes will be in compliance with regulations governing manufacture of medical equipment.

## Address

**Head Office/R&D** 7F,E-B/D Gwangmyeong Techno-Park, 60 Haan-ro, Gwangmyeong-si, Gyeonggi-do, Korea [14322]

**Gumi Factory** 116-59, Sanho-daero, Gumi-si, Gyeongsangbuk-do, Korea [39377]

## DRGEM Customer Service Center

### ● 24/7 Support

DRGEM's Customer Service team is available 24/7, 365 days a year\* via e-mail or Skype to support clients whenever they need.

### ● Remote Diagnosis

Remote diagnosis can help minimize downtime by quickly finding the cause of errors and detecting potential issues before problems occur.

\*May vary by country.

